



# Plungers - Spring - Ring Handle - Non Locking - Steel

10/4/2018

# Indicates item not stocked at time of printing - Please enquire for lead time

E&OE Pricing and all details subject to change without notice - Copyright Miniature Bearings Australia Pty Ltd

MBA Size Listings are a guide to sizes only and must not be solely relied on for critical design information.

Page 1 of 4

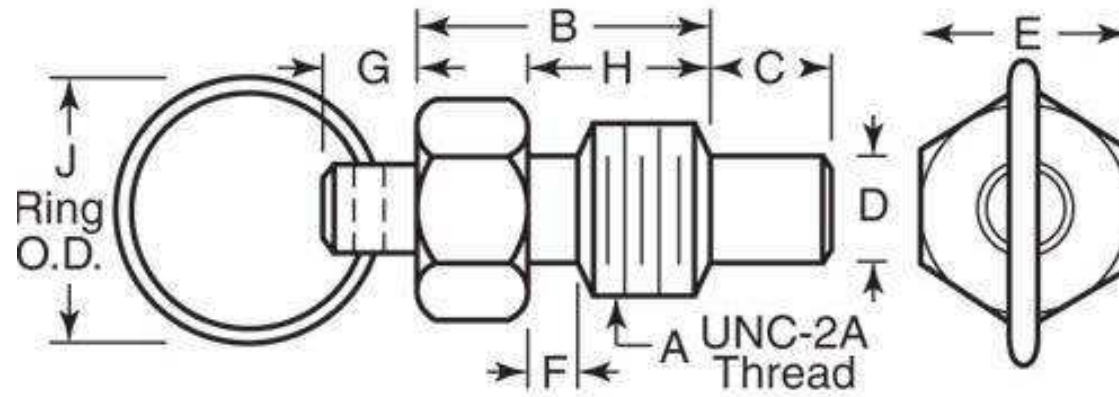
## **INFORMATION**

Items shown with Long-Lok have a dry threadlocking sealant applied to thread.

**# Indicates item not stocked at time of printing - Please enquire for lead time**

**E&OE Pricing and all details subject to change without notice - Copyright Miniature Bearings Australia Pty Ltd**

**MBA Size Listings are a guide to sizes only and must not be solely relied on for critical design information.**



# Indicates item not stocked at time of printing - Please enquire for lead time

E&OE Pricing and all details subject to change without notice - Copyright Miniature Bearings Australia Pty Ltd

MBA Size Listings are a guide to sizes only and must not be solely relied on for critical design information.

## Plungers - Spring - Ring Handle - Non Locking - Steel

Part Number	Thread Size (A)	Initial Pressure (F1) N	Final Pressure (F2) N	Body Length (B) mm	Tip Length (C) mm	Tip Diameter (D) mm	Across Flats (E) mm	F mm	G mm	Thread Length (H) mm
# PLST-064C-112-RC-009A	1/4-20 UNC (6.35mm)	2.22	8.90	11.18 <i>0.440</i>	4.83 <i>0.190</i>	4.06 <i>0.160</i>	6.35 <i>0.250</i>	-	3.30 <i>0.130</i>	7.87 <i>0.310</i>
# PLST-064C-112-RC-009	1/4-20 UNC (6.35mm)	2.22	8.90	11.18 <i>0.440</i>	4.83 <i>0.190</i>	4.06 <i>0.160</i>	6.35 <i>0.250</i>	-	3.30 <i>0.130</i>	7.87 <i>0.310</i>
# PLST-095C-160-RC-013	3/8-16 UNC (9.525mm)	3.34	13.35	16.00 <i>0.630</i>	7.11 <i>0.280</i>	6.35 <i>0.250</i>	9.65 <i>0.380</i>	3.30 <i>0.130</i>	4.83 <i>0.190</i>	11.18 <i>0.440</i>
# PLST-127C-206-RC-018	1/2-13 UNC (12.7mm)	4.45	17.79	20.57 <i>0.810</i>	9.65 <i>0.380</i>	7.87 <i>0.310</i>	12.70 <i>0.500</i>	3.30 <i>0.130</i>	6.35 <i>0.250</i>	14.22 <i>0.560</i>
# PLST-159C-254-RC-022	5/8-11 UNC (15.875mm)	5.56	22.24	25.40 <i>1.000</i>	11.18 <i>0.440</i>	9.65 <i>0.380</i>	15.75 <i>0.620</i>	3.30 <i>0.130</i>	7.87 <i>0.310</i>	17.53 <i>0.690</i>

# Indicates item not stocked at time of printing - Please enquire for lead time

Page 4 of 4

E&OE Pricing and all details subject to change without notice - Copyright Miniature Bearings Australia Pty Ltd  
MBA Size Listings are a guide to sizes only and must not be solely relied on for critical design information.

DISTRIBUTED BY

Distributed By:

