



# Posi Drive Stage - Ball Slide

10/4/2018

# Indicates item not stocked at time of printing - Please enquire for lead time

E&OE Pricing and all details subject to change without notice - Copyright Miniature Bearings Australia Pty Ltd

MBA Size Listings are a guide to sizes only and must not be solely relied on for critical design information.

## INFORMATION

Compact economical Posi Drive Stages take the work out of designing linear motion control systems.

These stages require no alignment of components and install with only 4 standard fasteners  
Fitted with anti backlash 9.525mm diameter leadscrews with 2.54mm lead and zero backlash multibeam couplings.

NEMA 23 motor mounts

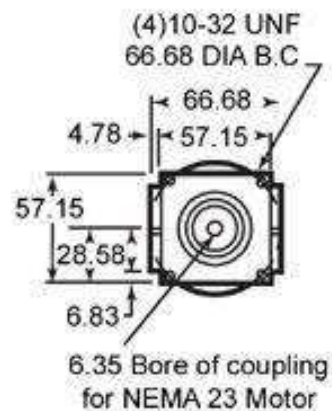
Straight line accuracy up to 0.00254mm per 25.4mm of travel

Repeatability 0.00254mm

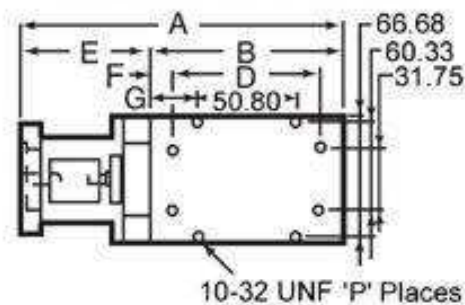
# Indicates item not stocked at time of printing - Please enquire for lead time

E&OE Pricing and all details subject to change without notice - Copyright Miniature Bearings Australia Pty Ltd

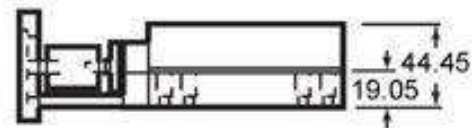
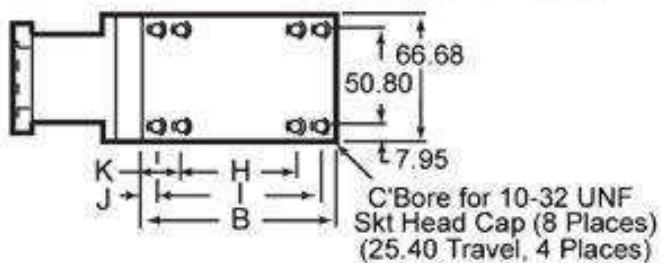
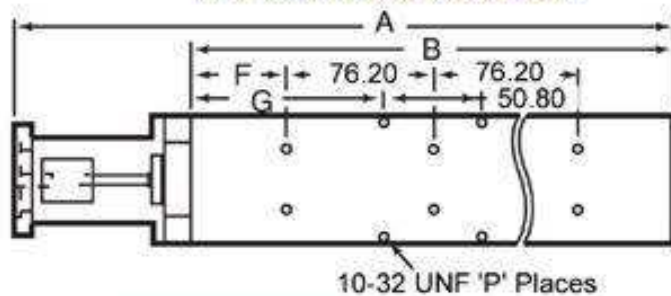
MBA Size Listings are a guide to sizes only and must not be solely relied on for critical design information.



Carriage Dimensions for Posi-Drive  
with 25.40 to 101.60 of Travel



Carriage Dimensions for Posi-Drive  
with 152.00 to 304.80 of Travel



# Indicates item not stocked at time of printing - Please enquire for lead time

E&OE Pricing and all details subject to change without notice - Copyright Miniature Bearings Australia Pty Ltd  
MBA Size Listings are a guide to sizes only and must not be solely relied on for critical design information.

## Posi Drive Stage - Ball Slide

Part Number	Travel mm	Load Capacity Kg	Overall Length (A) mm	Carriage Length (B) mm	Bolt Distance Length (D) mm	E mm	Bolt Hole Distance (F) mm	Bolt Hole Distance (G) mm	Bolt Hole Distance (H) mm	Bolt Hole Distance (I) mm
	<i>inches</i>		<i>inches</i>	<i>inches</i>	<i>inches</i>	<i>inches</i>	<i>inches</i>	<i>inches</i>	<i>inches</i>	<i>inches</i>
# DT-10RS	25.40 <i>1.000</i>	13.61	143.002 <i>5.630</i>	76.200 <i>3.000</i>	53.975 <i>2.125</i>	66.802 <i>2.630</i>	11.176 <i>0.440</i>	12.700 <i>0.500</i>	60.325 <i>2.375</i>	-
# DT-20RS	50.80 <i>2.000</i>	15.88	168.402 <i>6.630</i>	101.600 <i>4.000</i>	76.200 <i>3.000</i>	66.802 <i>2.630</i>	12.700 <i>0.500</i>	25.400 <i>1.000</i>	60.325 <i>2.375</i>	85.725 <i>3.375</i>
# DT-30RS	76.20 <i>3.000</i>	18.14	193.802 <i>7.630</i>	127.000 <i>5.000</i>	101.600 <i>4.000</i>	66.802 <i>2.630</i>	12.700 <i>0.500</i>	38.100 <i>1.500</i>	60.325 <i>2.375</i>	111.125 <i>4.375</i>
# DT-40RS	101.60 <i>4.000</i>	20.41	219.202 <i>8.630</i>	152.400 <i>6.000</i>	127.000 <i>5.000</i>	66.802 <i>2.630</i>	12.700 <i>0.500</i>	50.800 <i>2.000</i>	60.325 <i>2.375</i>	136.525 <i>5.375</i>
# DT-60RS	152.40 <i>6.000</i>	24.95	320.802 <i>12.630</i>	228.600 <i>9.000</i>	152.400 <i>6.000</i>	92.202 <i>3.630</i>	38.100 <i>1.500</i>	88.900 <i>3.500</i>	101.600 <i>4.000</i>	177.800 <i>7.000</i>
# DT-80RS	203.20 <i>8.000</i>	27.21	397.002 <i>15.630</i>	279.400 <i>11.000</i>	-	117.602 <i>4.630</i>	25.400 <i>1.000</i>	114.300 <i>4.500</i>	152.400 <i>6.000</i>	228.600 <i>9.000</i>
# DT-100RS	254.00 <i>10.000</i>	34.02	473.202 <i>18.630</i>	330.200 <i>13.000</i>	-	143.002 <i>5.630</i>	12.700 <i>0.500</i>	139.700 <i>5.500</i>	203.200 <i>8.000</i>	279.400 <i>11.000</i>
# DT-120BRS	304.80 <i>12.000</i>	40.82	549.402 <i>21.630</i>	381.000 <i>15.000</i>	-	168.402 <i>6.630</i>	38.100 <i>1.500</i>	165.100 <i>6.500</i>	254.000 <i>10.000</i>	330.200 <i>13.000</i>
MPX332309-ME	Prop Saver	Suits 3.2 (1/8) Shaft	Multiplex							
SF2006	WOOD ROTOR BLADES 600mm	-								

# Indicates item not stocked at time of printing - Please enquire for lead time

E&OE Pricing and all details subject to change without notice - Copyright Miniature Bearings Australia Pty Ltd

MBA Size Listings are a guide to sizes only and must not be solely relied on for critical design information.

DISTRIBUTED BY

Distributed By:

