



Posts - Spring

10/4/2018

Indicates item not stocked at time of printing - Please enquire for lead time

E&OE Pricing and all details subject to change without notice - Copyright Miniature Bearings Australia Pty Ltd

MBA Size Listings are a guide to sizes only and must not be solely relied on for critical design information.

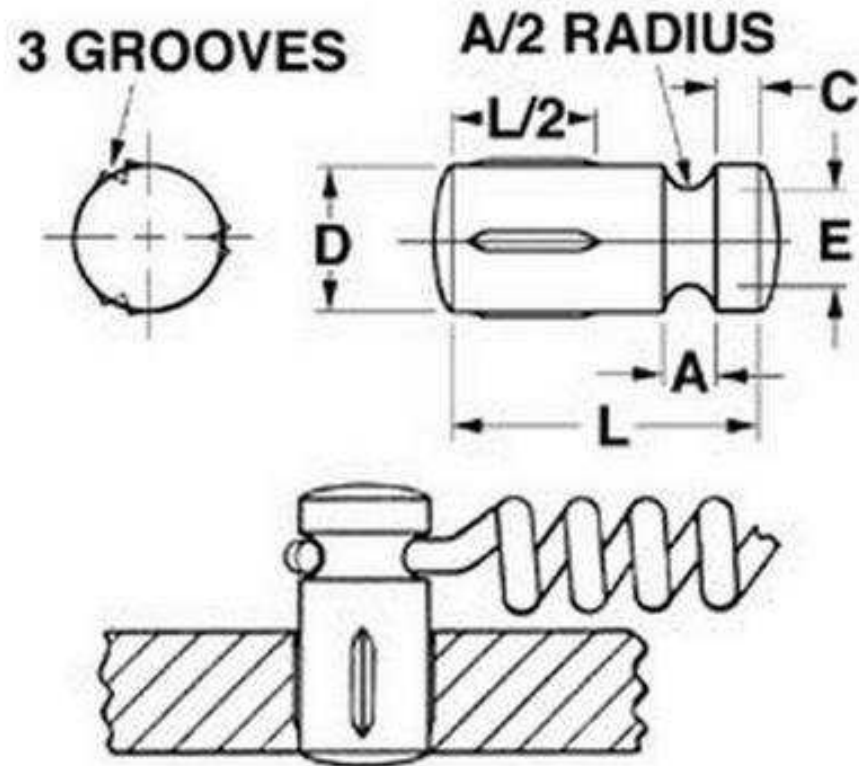
INFORMATION

This catalogue to be read in conjunction with information at <http://www.minibearings.com.au//partslist/springsextension/springs/all/1/>
<http://www.minibearings.com.au//partslist/springsextensionmetrelengths/springs/all/1/>

Indicates item not stocked at time of printing - Please enquire for lead time

E&OE Pricing and all details subject to change without notice - Copyright Miniature Bearings Australia Pty Ltd

MBA Size Listings are a guide to sizes only and must not be solely relied on for critical design information.



Indicates item not stocked at time of printing - Please enquire for lead time

E&OE Pricing and all details subject to change without notice - Copyright Miniature Bearings Australia Pty Ltd

MBA Size Listings are a guide to sizes only and must not be solely relied on for critical design information.

Posts - Spring

Part Number	Post Diameter mm <i>inches</i>	Overall Length mm <i>inches</i>	Groove Diameter mm <i>inches</i>	Head Thickness mm <i>inches</i>	Crown Height mm <i>inches</i>	Material / Finish
# SPP-030-10	3.000 <i>0.118</i>	10.000 <i>0.394</i>	1.000 <i>0.039</i>	1.000 <i>0.039</i>	0.400 <i>0.016</i>	12L13 Steel
SPP-030-12	3.000 <i>0.118</i>	12.000 <i>0.472</i>	1.000 <i>0.039</i>	1.000 <i>0.039</i>	0.400 <i>0.016</i>	12L13 Steel
# SPP-030-16	3.000 <i>0.118</i>	16.000 <i>0.630</i>	1.000 <i>0.039</i>	1.000 <i>0.039</i>	0.400 <i>0.016</i>	12L13 Steel
# SPP-030-20	3.000 <i>0.118</i>	20.000 <i>0.787</i>	1.000 <i>0.039</i>	1.000 <i>0.039</i>	0.400 <i>0.016</i>	12L13 Steel
# SPP-030-25	3.000 <i>0.118</i>	25.000 <i>0.984</i>	1.000 <i>0.039</i>	1.000 <i>0.039</i>	0.400 <i>0.016</i>	12L13 Steel
# SPP-032-09	3.175 <i>0.125</i>	9.525 <i>0.375</i>	1.626 <i>0.064</i>	0.794 <i>0.031</i>	0.330 <i>0.013</i>	Carbon Steel / Zinc Plated
# SPP-032-12	3.175 <i>0.125</i>	12.700 <i>0.500</i>	1.626 <i>0.064</i>	0.794 <i>0.031</i>	0.330 <i>0.013</i>	Carbon Steel / Zinc Plated
# SPP-032-15	3.175 <i>0.125</i>	15.875 <i>0.625</i>	1.626 <i>0.064</i>	0.794 <i>0.031</i>	0.330 <i>0.013</i>	Carbon Steel / Zinc Plated
SPP-032-19	3.175 <i>0.125</i>	19.050 <i>0.750</i>	1.626 <i>0.064</i>	0.794 <i>0.031</i>	0.330 <i>0.013</i>	Carbon Steel / Zinc Plated
# SPP-032-22	3.175 <i>0.125</i>	22.225 <i>0.875</i>	1.626 <i>0.064</i>	0.794 <i>0.031</i>	0.330 <i>0.013</i>	Carbon Steel / Zinc Plated

Indicates item not stocked at time of printing - Please enquire for lead time

E&OE Pricing and all details subject to change without notice - Copyright Miniature Bearings Australia Pty Ltd
MBA Size Listings are a guide to sizes only and must not be solely relied on for critical design information.

Posts - Spring

Part Number	Post Diameter mm <i>inches</i>	Overall Length mm <i>inches</i>	Groove Diameter mm <i>inches</i>	Head Thickness mm <i>inches</i>	Crown Height mm <i>inches</i>	Material / Finish
# SPP-032-25	3.175 <i>0.125</i>	25.400 <i>1.000</i>	1.626 <i>0.064</i>	0.794 <i>0.031</i>	0.330 <i>0.013</i>	Carbon Steel / Zinc Plated
# SPP-032-31	3.175 <i>0.125</i>	31.750 <i>1.250</i>	1.626 <i>0.064</i>	0.794 <i>0.031</i>	0.330 <i>0.013</i>	Carbon Steel / Zinc Plated
# SPP-040-12	4.000 <i>0.157</i>	12.000 <i>0.472</i>	1.400 <i>0.055</i>	1.400 <i>0.055</i>	0.500 <i>0.020</i>	12L13 Steel
# SPP-040-16	4.000 <i>0.157</i>	16.000 <i>0.630</i>	1.400 <i>0.055</i>	1.400 <i>0.055</i>	0.500 <i>0.020</i>	12L13 Steel
# SPP-040-20	4.000 <i>0.157</i>	20.000 <i>0.787</i>	1.400 <i>0.055</i>	1.400 <i>0.055</i>	0.500 <i>0.020</i>	12L13 Steel
# SPP-040-25	4.000 <i>0.157</i>	25.000 <i>0.984</i>	1.400 <i>0.055</i>	1.400 <i>0.055</i>	0.500 <i>0.020</i>	12L13 Steel
# SPP-040-30	4.000 <i>0.157</i>	30.000 <i>1.181</i>	1.400 <i>0.055</i>	1.400 <i>0.055</i>	0.500 <i>0.020</i>	12L13 Steel
# SPP-048-09	4.775 <i>0.188</i>	9.525 <i>0.375</i>	1.626 <i>0.064</i>	1.191 <i>0.047</i>	0.483 <i>0.019</i>	Carbon Steel / Zinc Plated
# SPP-048-12	4.775 <i>0.188</i>	12.700 <i>0.500</i>	1.626 <i>0.064</i>	1.191 <i>0.047</i>	0.483 <i>0.019</i>	Carbon Steel / Zinc Plated
# SPP-048-15	4.775 <i>0.188</i>	15.875 <i>0.625</i>	1.626 <i>0.064</i>	1.191 <i>0.047</i>	0.483 <i>0.019</i>	Carbon Steel / Zinc Plated

Indicates item not stocked at time of printing - Please enquire for lead time

E&OE Pricing and all details subject to change without notice - Copyright Miniature Bearings Australia Pty Ltd

MBA Size Listings are a guide to sizes only and must not be solely relied on for critical design information.

Posts - Spring

Part Number	Post Diameter mm <i>inches</i>	Overall Length mm <i>inches</i>	Groove Diameter mm <i>inches</i>	Head Thickness mm <i>inches</i>	Crown Height mm <i>inches</i>	Material / Finish
# SPP-048-19	4.775 <i>0.188</i>	19.050 <i>0.750</i>	1.626 <i>0.064</i>	1.191 <i>0.047</i>	0.483 <i>0.019</i>	Carbon Steel / Zinc Plated
# SPP-048-22	4.775 <i>0.188</i>	22.225 <i>0.875</i>	1.626 <i>0.064</i>	1.191 <i>0.047</i>	0.483 <i>0.019</i>	Carbon Steel / Zinc Plated
# SPP-048-25	4.775 <i>0.188</i>	25.400 <i>1.000</i>	1.626 <i>0.064</i>	1.191 <i>0.047</i>	0.483 <i>0.019</i>	Carbon Steel / Zinc Plated
# SPP-048-31	4.775 <i>0.188</i>	31.750 <i>1.250</i>	1.626 <i>0.064</i>	1.191 <i>0.047</i>	0.483 <i>0.019</i>	Carbon Steel / Zinc Plated
# SPP-050-12	5.000 <i>0.197</i>	12.000 <i>0.472</i>	1.600 <i>0.063</i>	1.600 <i>0.063</i>	0.600 <i>0.024</i>	12L13 Steel
# SPP-050-16	5.000 <i>0.197</i>	16.000 <i>0.630</i>	1.600 <i>0.063</i>	1.600 <i>0.063</i>	0.600 <i>0.024</i>	12L13 Steel
# SPP-050-20	5.000 <i>0.197</i>	20.000 <i>0.787</i>	1.600 <i>0.063</i>	1.600 <i>0.063</i>	0.600 <i>0.024</i>	12L13 Steel
# SPP-050-25	5.000 <i>0.197</i>	25.000 <i>0.984</i>	1.600 <i>0.063</i>	1.600 <i>0.063</i>	0.600 <i>0.024</i>	12L13 Steel
# SPP-050-30	5.000 <i>0.197</i>	30.000 <i>1.181</i>	1.600 <i>0.063</i>	1.600 <i>0.063</i>	0.600 <i>0.024</i>	12L13 Steel
# SPP-060-16	6.000 <i>0.236</i>	16.000 <i>0.630</i>	1.600 <i>0.063</i>	1.600 <i>0.063</i>	0.800 <i>0.031</i>	12L13 Steel

Indicates item not stocked at time of printing - Please enquire for lead time

E&OE Pricing and all details subject to change without notice - Copyright Miniature Bearings Australia Pty Ltd

MBA Size Listings are a guide to sizes only and must not be solely relied on for critical design information.

Posts - Spring

Part Number	Post Diameter mm <i>inches</i>	Overall Length mm <i>inches</i>	Groove Diameter mm <i>inches</i>	Head Thickness mm <i>inches</i>	Crown Height mm <i>inches</i>	Material / Finish
# SPP-060-20	6.000 <i>0.236</i>	20.000 <i>0.787</i>	1.600 <i>0.063</i>	1.600 <i>0.063</i>	0.800 <i>0.031</i>	12L13 Steel
# SPP-060-25	6.000 <i>0.236</i>	25.000 <i>0.984</i>	1.600 <i>0.063</i>	1.600 <i>0.063</i>	0.800 <i>0.031</i>	12L13 Steel
# SPP-060-30	6.000 <i>0.236</i>	30.000 <i>1.181</i>	1.600 <i>0.063</i>	1.600 <i>0.063</i>	0.800 <i>0.031</i>	12L13 Steel
# SPP-064-12	6.350 <i>0.250</i>	12.700 <i>0.500</i>	2.438 <i>0.096</i>	1.588 <i>0.063</i>	0.660 <i>0.026</i>	Carbon Steel / Zinc Plated
# SPP-064-15	6.350 <i>0.250</i>	15.875 <i>0.625</i>	2.438 <i>0.096</i>	1.588 <i>0.063</i>	0.660 <i>0.026</i>	Carbon Steel / Zinc Plated
# SPP-064-19	6.350 <i>0.250</i>	19.050 <i>0.750</i>	2.438 <i>0.096</i>	1.588 <i>0.063</i>	0.660 <i>0.026</i>	Carbon Steel / Zinc Plated
# SPP-064-22	6.350 <i>0.250</i>	22.225 <i>0.875</i>	2.438 <i>0.096</i>	1.588 <i>0.063</i>	0.660 <i>0.026</i>	Carbon Steel / Zinc Plated
# SPP-064-25	6.350 <i>0.250</i>	25.400 <i>1.000</i>	2.438 <i>0.096</i>	1.588 <i>0.063</i>	0.660 <i>0.026</i>	Carbon Steel / Zinc Plated
# SPP-064-31	6.350 <i>0.250</i>	31.750 <i>1.250</i>	2.438 <i>0.096</i>	1.588 <i>0.063</i>	0.660 <i>0.026</i>	Carbon Steel / Zinc Plated

Indicates item not stocked at time of printing - Please enquire for lead time

E&OE Pricing and all details subject to change without notice - Copyright Miniature Bearings Australia Pty Ltd

MBA Size Listings are a guide to sizes only and must not be solely relied on for critical design information.

DISTRIBUTED BY

Distributed By:

