



Pulleys - Blocks - Eye - Swivel

10/4/2018

Indicates item not stocked at time of printing - Please enquire for lead time

E&OE Pricing and all details subject to change without notice - Copyright Miniature Bearings Australia Pty Ltd

MBA Size Listings are a guide to sizes only and must not be solely relied on for critical design information.

INFORMATION

Steel side plates. Electroplated sheaves are turned from cold rolled bar stock.

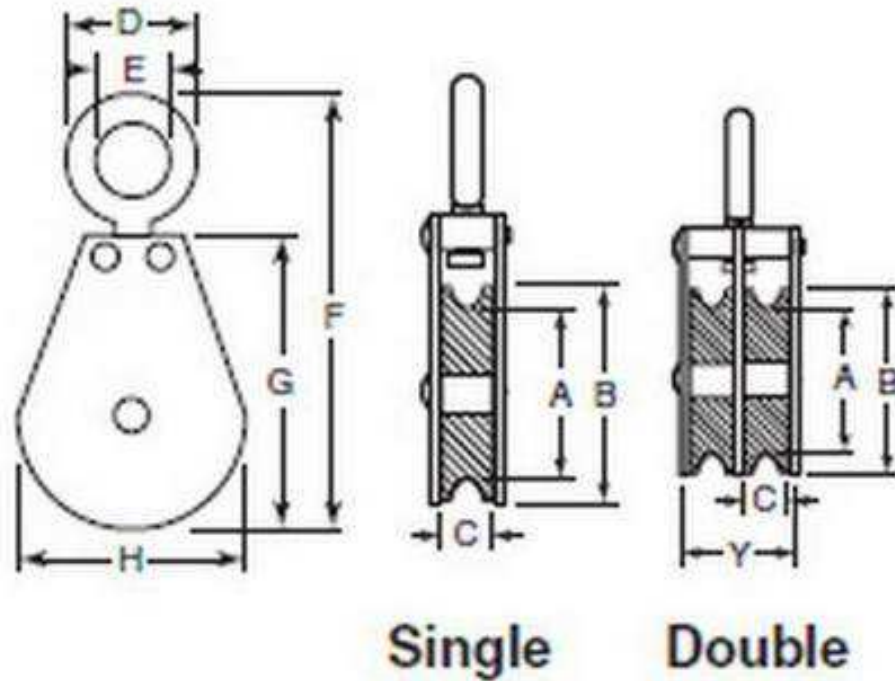
Bearings made from bronze and steel, oil impregnated for self lubrication.

Designed for high load and medium speed.

Indicates item not stocked at time of printing - Please enquire for lead time

E&OE Pricing and all details subject to change without notice - Copyright Miniature Bearings Australia Pty Ltd

MBA Size Listings are a guide to sizes only and must not be solely relied on for critical design information.



Single

Double

Indicates item not stocked at time of printing - Please enquire for lead time

E&OE Pricing and all details subject to change without notice - Copyright Miniature Bearings Australia Pty Ltd

MBA Size Listings are a guide to sizes only and must not be solely relied on for critical design information.

Pulleys - Blocks - Eye - Swivel

Part Number	Cable Size mm	No. Of Sheaves	Max Load kg	Outside Diameter (B) mm	Groove Radius (C) mm	Length (G/F) mm	Dia. to Base of Groove (A) mm	Eye Hole (E) mm
	<i>inches</i>			<i>inches</i>	<i>inches</i>	<i>inches</i>	<i>inches</i>	<i>inches</i>
# BDI10RS	4.76 <i>0.187</i>	Single	190.509	38.10 <i>1.500</i>	11.11 <i>0.437</i>	96.84 / 61.91	25 <i>0.984</i>	16 <i>0.630</i>
BDI15RS	4.76 <i>0.187</i>	Single	217.724	50.80 <i>2.000</i>	11.11 <i>0.437</i>	107.95 / 74.61	38 <i>1.496</i>	16 <i>0.630</i>
BDI110RS	4.76 <i>0.187</i>	Double	238.136	38.10 <i>1.500</i>	11.11 <i>0.437</i>	96.84 / 61.91	25 <i>0.984</i>	16 <i>0.630</i>
# BDI20RS	6.35 <i>0.250</i>	Single	249.476	63.50 <i>2.500</i>	11.11 <i>0.437</i>	127.00 / 87.31	51 <i>2.008</i>	22 <i>0.866</i>
BDI25RS	6.35 <i>0.250</i>	Single	290.299	76.20 <i>3.000</i>	11.11 <i>0.437</i>	142.88 / 103.19	64 <i>2.520</i>	22 <i>0.866</i>
# BDI30RS	7.94 <i>0.313</i>	Single	562.455	88.90 <i>3.500</i>	15.88 <i>0.625</i>	193.68 / 136.53	76 <i>2.992</i>	30 <i>1.181</i>

Indicates item not stocked at time of printing - Please enquire for lead time

Page 4 of 4

E&OE Pricing and all details subject to change without notice - Copyright Miniature Bearings Australia Pty Ltd

MBA Size Listings are a guide to sizes only and must not be solely relied on for critical design information.

DISTRIBUTED BY

Distributed By:

