



# **Pulleys - Timing - 5.000mm Pitch - AT5 - 16mm Wide - Aluminium**

10/4/2018

# Indicates item not stocked at time of printing - Please enquire for lead time

E&OE Pricing and all details subject to change without notice - Copyright Miniature Bearings Australia Pty Ltd

MBA Size Listings are a guide to sizes only and must not be solely relied on for critical design information.

Page 1 of 7

## INFORMATION

### Timing pulleys to suit AT5 Series belts

For easy ready selected sets of timing belts and pulleys please see the <a href="http://www.hobbyparts.com.au/store/categories/easy+kits/">HES website</a>

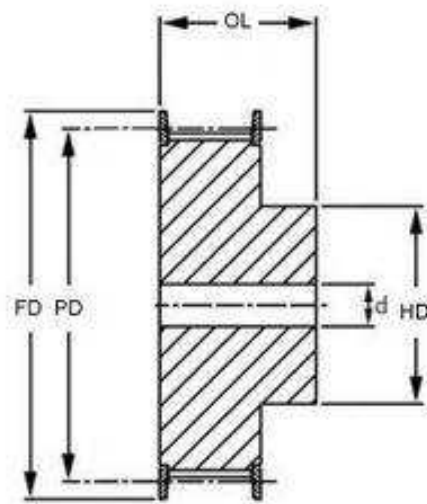
This catalogue to be read in conjunction with information at  
<http://www.minibearings.com.au//partslist/beltstiming5000mmpitchat516mmwide/beltstiming5000mmpitchat516mmwide/A/1/>

<http://www.minibearings.com.au/www.smallparts.com.au/store/categories/easy+kits/>

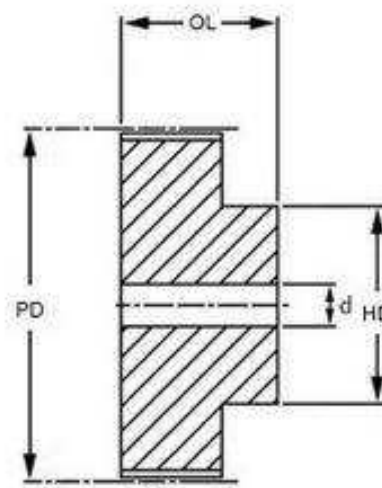
# Indicates item not stocked at time of printing - Please enquire for lead time

E&OE Pricing and all details subject to change without notice - Copyright Miniature Bearings Australia Pty Ltd

MBA Size Listings are a guide to sizes only and must not be solely relied on for critical design information.



**Double Flanged**



**Unflanged**

# Indicates item not stocked at time of printing - Please enquire for lead time

E&OE Pricing and all details subject to change without notice - Copyright Miniature Bearings Australia Pty Ltd

MBA Size Listings are a guide to sizes only and must not be solely relied on for critical design information.

## Pulleys - Timing - 5.000mm Pitch - AT5 - 16mm Wide - Aluminium

Part Number	Teeth	Max Belt Width mm	Bore (d) mm	Material	Locking Type	Type (See Diagram)	Pitch Diameter (PD) mm	Flange Diameter (FD) mm	Overall Length (OL) mm	Hub Diameter (HD) mm
		<i>inches</i>	<i>inches</i>				<i>inches</i>	<i>inches</i>	<i>inches</i>	<i>inches</i>
# P-050A-012-160FF-AL-N-000	12	16	No Bore	Aluminium Alloy - Clear Anodised		Double Flange	19.09	23.00	27	11
		<i>0.630</i>					<i>0.752</i>	<i>0.906</i>	<i>1.063</i>	<i>0.433</i>
# P-050A-014-160FF-AL-N-000	14	16	No Bore	Aluminium Alloy - Clear Anodised		Double Flange	22.27	25.00	27	13
		<i>0.630</i>					<i>0.877</i>	<i>0.984</i>	<i>1.063</i>	<i>0.512</i>
# P-050A-015-160FF-AL-N-060	15	16	6.00	Aluminium Alloy - Clear Anodised		Double Flange	23.86	28.00	27	16
		<i>0.630</i>	<i>0.236</i>				<i>0.939</i>	<i>1.102</i>	<i>1.063</i>	<i>0.630</i>
# P-050A-016-160FF-AL-N-060	16	16	6.00	Aluminium Alloy - Clear Anodised		Double Flange	25.45	32.00	27	18
		<i>0.630</i>	<i>0.236</i>				<i>1.002</i>	<i>1.260</i>	<i>1.063</i>	<i>0.709</i>
# P-050A-018-160FF-AL-N-060	18	16	6.00	Aluminium Alloy - Clear Anodised		Double Flange	28.64	32.00	27	20
		<i>0.630</i>	<i>0.236</i>				<i>1.128</i>	<i>1.260</i>	<i>1.063</i>	<i>0.787</i>
# P-050A-019-160FF-AL-N-060	19	16	6.00	Aluminium Alloy - Clear Anodised		Double Flange	30.23	36.00	27	22
		<i>0.630</i>	<i>0.236</i>				<i>1.190</i>	<i>1.417</i>	<i>1.063</i>	<i>0.866</i>
# P-050A-020-160FF-AL-N-060	20	16	6.00	Aluminium Alloy - Clear Anodised		Double Flange	31.82	36.00	27	23
		<i>0.630</i>	<i>0.236</i>				<i>1.253</i>	<i>1.417</i>	<i>1.063</i>	<i>0.906</i>

# Indicates item not stocked at time of printing - Please enquire for lead time

Page 4 of 7

E&OE Pricing and all details subject to change without notice - Copyright Miniature Bearings Australia Pty Ltd  
MBA Size Listings are a guide to sizes only and must not be solely relied on for critical design information.

## Pulleys - Timing - 5.000mm Pitch - AT5 - 16mm Wide - Aluminium

Part Number	Teeth	Max Belt Width mm	Bore (d) mm	Material	Locking Type	Type (See Diagram)	Pitch Diameter (PD) mm	Flange Diameter (FD) mm	Overall Length (OL) mm	Hub Diameter (HD) mm
		<i>inches</i>	<i>inches</i>				<i>inches</i>	<i>inches</i>	<i>inches</i>	<i>inches</i>
# P-050A-022-160FF-AL-N-060	22	16	6.00	Aluminium Alloy - Clear Anodised		Double Flange	35.00	38.00	27	24
		<i>0.630</i>	<i>0.236</i>				<i>1.378</i>	<i>1.496</i>	<i>1.063</i>	<i>0.945</i>
# P-050A-024-160FF-AL-N-060	24	16	6.00	Aluminium Alloy - Clear Anodised		Double Flange	38.18	42.00	27	26
		<i>0.630</i>	<i>0.236</i>				<i>1.503</i>	<i>1.654</i>	<i>1.063</i>	<i>1.024</i>
# P-050A-025-160FF-AL-N-060	25	16	6.00	Aluminium Alloy - Clear Anodised		Double Flange	39.77	44.00	27	26
		<i>0.630</i>	<i>0.236</i>				<i>1.566</i>	<i>1.732</i>	<i>1.063</i>	<i>1.024</i>
# P-050A-026-160FF-AL-N-060	26	16	6.00	Aluminium Alloy - Clear Anodised		Double Flange	41.36	44.00	27	26
		<i>0.630</i>	<i>0.236</i>				<i>1.628</i>	<i>1.732</i>	<i>1.063</i>	<i>1.024</i>
# P-050A-027-160FF-AL-N-080	27	16	8.00	Aluminium Alloy - Clear Anodised		Double Flange	42.95	46.00	27	30
		<i>0.630</i>	<i>0.315</i>				<i>1.691</i>	<i>1.811</i>	<i>1.063</i>	<i>1.181</i>
# P-050A-028-160FF-AL-N-060	28	16	8.00	Aluminium Alloy - Clear Anodised		Double Flange	44.54	48.00	27	32
		<i>0.630</i>	<i>0.315</i>				<i>1.754</i>	<i>1.890</i>	<i>1.063</i>	<i>1.260</i>
# P-050A-030-160FF-AL-N-080	30	16	8.00	Aluminium Alloy - Clear Anodised		Double Flange	47.73	51.00	27	34
		<i>0.630</i>	<i>0.315</i>				<i>1.879</i>	<i>2.008</i>	<i>1.063</i>	<i>1.339</i>

# Indicates item not stocked at time of printing - Please enquire for lead time

Page 5 of 7

E&OE Pricing and all details subject to change without notice - Copyright Miniature Bearings Australia Pty Ltd

MBA Size Listings are a guide to sizes only and must not be solely relied on for critical design information.

## Pulleys - Timing - 5.000mm Pitch - AT5 - 16mm Wide - Aluminium

Part Number	Teeth	Max Belt Width mm	Bore (d) mm	Material	Locking Type	Type (See Diagram)	Pitch Diameter (PD) mm	Flange Diameter (FD) mm	Overall Length (OL) mm	Hub Diameter (HD) mm
		<i>inches</i>	<i>inches</i>				<i>inches</i>	<i>inches</i>	<i>inches</i>	<i>inches</i>
P-050A-032-160FF-AL-N-080	32	16	8.00	Aluminium Alloy - Clear Anodised		Double Flange	50.91	54.00	27	38
		<i>0.630</i>	<i>0.315</i>				<i>2.004</i>	<i>2.126</i>	<i>1.063</i>	<i>1.496</i>
# P-050A-036-160FF-AL-N-080	36	16	8.00	Aluminium Alloy - Clear Anodised		Double Flange	57.27	60.30	27	38
		<i>0.630</i>	<i>0.315</i>				<i>2.255</i>	<i>2.374</i>	<i>1.063</i>	<i>1.496</i>
# P-050A-040-160FF-AL-N-080	40	16	8.00	Aluminium Alloy - Clear Anodised		Double Flange	63.63	66.70	27	40
		<i>0.630</i>	<i>0.315</i>				<i>2.505</i>	<i>2.626</i>	<i>1.063</i>	<i>1.575</i>
# P-050A-042-160FF-AL-N-060	42	16	8.00	Aluminium Alloy - Clear Anodised		Double Flange	66.82	70.00	27	40
		<i>0.630</i>	<i>0.315</i>				<i>2.631</i>	<i>2.756</i>	<i>1.063</i>	<i>1.575</i>
# P-050A-044-160P-AL-N-080	44	16	8.00	Aluminium Alloy - Clear Anodised		Unflanged	70.00	-	27	50
		<i>0.630</i>	<i>0.315</i>				<i>2.756</i>		<i>1.063</i>	<i>1.969</i>
# P-050A-048-160P-AL-N-080	48	16	8.00	Aluminium Alloy - Clear Anodised		Unflanged	76.36	-	27	50
		<i>0.630</i>	<i>0.315</i>				<i>3.006</i>		<i>1.063</i>	<i>1.969</i>
# P-050A-060-160P-AL-N-080	60	16	8.00	Aluminium Alloy - Clear Anodised		Unflanged	95.45	-	27	65
		<i>0.630</i>	<i>0.315</i>				<i>3.758</i>		<i>1.063</i>	<i>2.559</i>

# Indicates item not stocked at time of printing - Please enquire for lead time

Page 6 of 7

E&OE Pricing and all details subject to change without notice - Copyright Miniature Bearings Australia Pty Ltd  
MBA Size Listings are a guide to sizes only and must not be solely relied on for critical design information.

## Pulleys - Timing - 5.000mm Pitch - AT5 - 16mm Wide - Aluminium

Part Number	Teeth	Max Belt Width mm	Bore (d) mm	Material	Locking Type	Type (See Diagram)	Pitch Diameter (PD) mm	Flange Diameter (FD) mm	Overall Length (OL) mm	Hub Diameter (HD) mm
# P-050A-072-160P-AL-N-060	72	16	8.00	Aluminium Alloy - Clear Anodised		Unflanged	114.54	-	27	80
		<i>0.630</i>	<i>0.315</i>				<i>4.509</i>		<i>1.063</i>	<i>3.150</i>

# Indicates item not stocked at time of printing - Please enquire for lead time

Page 7 of 7

E&OE Pricing and all details subject to change without notice - Copyright Miniature Bearings Australia Pty Ltd

MBA Size Listings are a guide to sizes only and must not be solely relied on for critical design information.

DISTRIBUTED BY

Distributed By:

