



# **Pulleys - Timing - 5.000mm Pitch - AT5 - 25mm Wide - Aluminium**

10/4/2018

# Indicates item not stocked at time of printing - Please enquire for lead time

E&OE Pricing and all details subject to change without notice - Copyright Miniature Bearings Australia Pty Ltd

MBA Size Listings are a guide to sizes only and must not be solely relied on for critical design information.

## INFORMATION

### Timing pulleys to suit AT5 Series belts

For easy ready selected sets of timing belts and pulleys please see the <a href="http://www.hobbyparts.com.au/store/categories/easy+kits/">HES website</a>

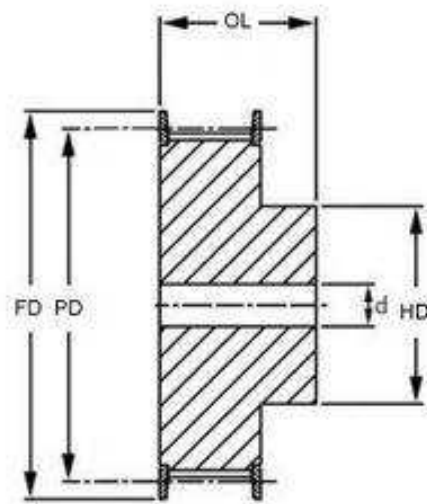
This catalogue to be read in conjunction with information at  
<http://www.minibearings.com.au//partslist/beltstiming5000mmpitchat525mmwide/beltstiming5000mmpitchat525mmwide/A/1/>

<http://www.minibearings.com.au/www.smallparts.com.au/store/categories/easy+kits/>

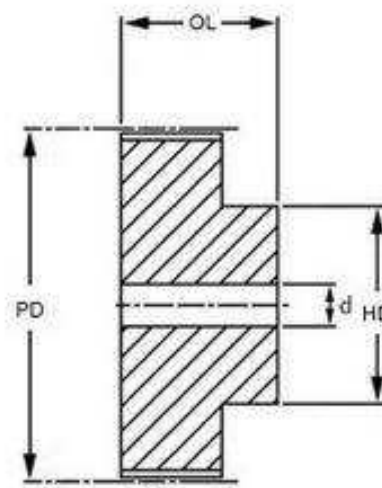
# Indicates item not stocked at time of printing - Please enquire for lead time

E&OE Pricing and all details subject to change without notice - Copyright Miniature Bearings Australia Pty Ltd

MBA Size Listings are a guide to sizes only and must not be solely relied on for critical design information.



**Double Flanged**



**Unflanged**

# Indicates item not stocked at time of printing - Please enquire for lead time

E&OE Pricing and all details subject to change without notice - Copyright Miniature Bearings Australia Pty Ltd

MBA Size Listings are a guide to sizes only and must not be solely relied on for critical design information.

## Pulleys - Timing - 5.000mm Pitch - AT5 - 25mm Wide - Aluminium

Part Number	Teeth	Max Belt Width mm	Bore (d) mm	Material	Locking Type	Type (See Diagram)	Pitch Diameter (PD) mm	Flange Diameter (FD) mm	Overall Length (OL) mm	Hub Diameter (HD) mm
		<i>inches</i>	<i>inches</i>				<i>inches</i>	<i>inches</i>	<i>inches</i>	<i>inches</i>
# P-050A-012-250FF-AL-N-000	12	25	No Bore	Aluminium Alloy - Clear Anodised		Double Flange	19.09	23.00	36	11
		<i>0.984</i>					<i>0.752</i>	<i>0.906</i>	<i>1.417</i>	<i>0.433</i>
# P-050A-014-250FF-AL-N-000	14	25	No Bore	Aluminium Alloy - Clear Anodised		Double Flange	22.27	25.00	36	13
		<i>0.984</i>					<i>0.877</i>	<i>0.984</i>	<i>1.417</i>	<i>0.512</i>
# P-050A-015-250FF-AL-N-060	15	25	6.00	Aluminium Alloy - Clear Anodised		Double Flange	23.86	28.00	36	16
		<i>0.984</i>	<i>0.236</i>				<i>0.939</i>	<i>1.102</i>	<i>1.417</i>	<i>0.630</i>
# P-050A-016-250FF-AL-N-060	16	25	6.00	Aluminium Alloy - Clear Anodised		Double Flange	25.45	32.00	36	18
		<i>0.984</i>	<i>0.236</i>				<i>1.002</i>	<i>1.260</i>	<i>1.417</i>	<i>0.709</i>
# P-050A-018-250FF-AL-N-060	18	25	6.00	Aluminium Alloy - Clear Anodised		Double Flange	28.64	32.00	36	20
		<i>0.984</i>	<i>0.236</i>				<i>1.128</i>	<i>1.260</i>	<i>1.417</i>	<i>0.787</i>
# P-050A-019-250FF-AL-N-060	19	25	6.00	Aluminium Alloy - Clear Anodised		Double Flange	30.23	36.00	36	22
		<i>0.984</i>	<i>0.236</i>				<i>1.190</i>	<i>1.417</i>	<i>1.417</i>	<i>0.866</i>
# P-050A-020-250FF-AL-N-060	20	25	6.00	Aluminium Alloy - Clear Anodised		Double Flange	31.82	36.00	36	23
		<i>0.984</i>	<i>0.236</i>				<i>1.253</i>	<i>1.417</i>	<i>1.417</i>	<i>0.906</i>

# Indicates item not stocked at time of printing - Please enquire for lead time

Page 4 of 7

E&OE Pricing and all details subject to change without notice - Copyright Miniature Bearings Australia Pty Ltd

MBA Size Listings are a guide to sizes only and must not be solely relied on for critical design information.

## Pulleys - Timing - 5.000mm Pitch - AT5 - 25mm Wide - Aluminium

Part Number	Teeth	Max Belt Width mm	Bore (d) mm	Material	Locking Type	Type (See Diagram)	Pitch Diameter (PD) mm	Flange Diameter (FD) mm	Overall Length (OL) mm	Hub Diameter (HD) mm
		<i>inches</i>	<i>inches</i>				<i>inches</i>	<i>inches</i>	<i>inches</i>	<i>inches</i>
# P-050A-022-250FF-AL-N-060	22	25	6.00	Aluminium Alloy - Clear Anodised		Double Flange	35.00	38.00	36	24
		<i>0.984</i>	<i>0.236</i>				<i>1.378</i>	<i>1.496</i>	<i>1.417</i>	<i>0.945</i>
# P-050A-024-250FF-AL-N-060	24	25	6.00	Aluminium Alloy - Clear Anodised		Double Flange	38.18	42.00	36	26
		<i>0.984</i>	<i>0.236</i>				<i>1.503</i>	<i>1.654</i>	<i>1.417</i>	<i>1.024</i>
# P-050A-025-250FF-AL-N-060	25	25	6.00	Aluminium Alloy - Clear Anodised		Double Flange	39.77	44.00	36	26
		<i>0.984</i>	<i>0.236</i>				<i>1.566</i>	<i>1.732</i>	<i>1.417</i>	<i>1.024</i>
# P-050A-026-250FF-AL-N-060	26	25	6.00	Aluminium Alloy - Clear Anodised		Double Flange	41.36	44.00	36	26
		<i>0.984</i>	<i>0.236</i>				<i>1.628</i>	<i>1.732</i>	<i>1.417</i>	<i>1.024</i>
# P-050A-027-250FF-AL-N-080	27	25	8.00	Aluminium Alloy - Clear Anodised		Double Flange	42.95	46.00	36	38
		<i>0.984</i>	<i>0.315</i>				<i>1.691</i>	<i>1.811</i>	<i>1.417</i>	<i>1.496</i>
# P-050A-028-250FF-AL-N-060	28	25	8.00	Aluminium Alloy - Clear Anodised		Double Flange	44.54	48.00	36	32
		<i>0.984</i>	<i>0.315</i>				<i>1.754</i>	<i>1.890</i>	<i>1.417</i>	<i>1.260</i>
# P-050A-030-250FF-AL-N-080	30	25	8.00	Aluminium Alloy - Clear Anodised		Double Flange	47.73	51.00	36	34
		<i>0.984</i>	<i>0.315</i>				<i>1.879</i>	<i>2.008</i>	<i>1.417</i>	<i>1.339</i>

# Indicates item not stocked at time of printing - Please enquire for lead time

Page 5 of 7

E&OE Pricing and all details subject to change without notice - Copyright Miniature Bearings Australia Pty Ltd

MBA Size Listings are a guide to sizes only and must not be solely relied on for critical design information.

## Pulleys - Timing - 5.000mm Pitch - AT5 - 25mm Wide - Aluminium

Part Number	Teeth	Max Belt Width mm	Bore (d) mm	Material	Locking Type	Type (See Diagram)	Pitch Diameter (PD) mm	Flange Diameter (FD) mm	Overall Length (OL) mm	Hub Diameter (HD) mm
		<i>inches</i>	<i>inches</i>				<i>inches</i>	<i>inches</i>	<i>inches</i>	<i>inches</i>
# P-050A-032-250FF-AL-N-080	32	25	8.00	Aluminium Alloy - Clear Anodised		Double Flange	50.91	54.00	36	38
		<i>0.984</i>	<i>0.315</i>				<i>2.004</i>	<i>2.126</i>	<i>1.417</i>	<i>1.496</i>
# P-050A-036-250FF-AL-N-080	36	25	8.00	Aluminium Alloy - Clear Anodised		Double Flange	57.27	60.30	36	38
		<i>0.984</i>	<i>0.315</i>				<i>2.255</i>	<i>2.374</i>	<i>1.417</i>	<i>1.496</i>
# P-050A-040-250FF-AL-N-080	40	25	8.00	Aluminium Alloy - Clear Anodised		Double Flange	63.63	66.70	36	40
		<i>0.984</i>	<i>0.315</i>				<i>2.505</i>	<i>2.626</i>	<i>1.417</i>	<i>1.575</i>
# P-050A-042-250FF-AL-N-060	42	25	8.00	Aluminium Alloy - Clear Anodised		Double Flange	66.82	70.00	36	40
		<i>0.984</i>	<i>0.315</i>				<i>2.631</i>	<i>2.756</i>	<i>1.417</i>	<i>1.575</i>
# P-050A-044-250P-AL-N-080	44	25	8.00	Aluminium Alloy - Clear Anodised		Unflanged	70.00	-	38	50
		<i>0.984</i>	<i>0.315</i>				<i>2.756</i>		<i>1.496</i>	<i>1.969</i>
# P-050A-048-250P-AL-N-080	48	25	8.00	Aluminium Alloy - Clear Anodised		Unflanged	76.36	-	38	50
		<i>0.984</i>	<i>0.315</i>				<i>3.006</i>		<i>1.496</i>	<i>1.969</i>
# P-050A-060-250P-AL-N-080	60	25	8.00	Aluminium Alloy - Clear Anodised		Unflanged	95.45	-	38	65
		<i>0.984</i>	<i>0.315</i>				<i>3.758</i>		<i>1.496</i>	<i>2.559</i>

# Indicates item not stocked at time of printing - Please enquire for lead time

Page 6 of 7

E&OE Pricing and all details subject to change without notice - Copyright Miniature Bearings Australia Pty Ltd  
MBA Size Listings are a guide to sizes only and must not be solely relied on for critical design information.

## Pulleys - Timing - 5.000mm Pitch - AT5 - 25mm Wide - Aluminium

Part Number	Teeth	Max Belt Width mm	Bore (d) mm	Material	Locking Type	Type (See Diagram)	Pitch Diameter (PD) mm	Flange Diameter (FD) mm	Overall Length (OL) mm	Hub Diameter (HD) mm
# P-050A-072-250P-AL-N-080	72	25	8.00	Aluminium Alloy - Clear Anodised		Unflanged	114.54	-	38	80
		<i>0.984</i>	<i>0.315</i>				<i>4.509</i>		<i>1.496</i>	<i>3.150</i>

# Indicates item not stocked at time of printing - Please enquire for lead time

Page 7 of 7

E&OE Pricing and all details subject to change without notice - Copyright Miniature Bearings Australia Pty Ltd

MBA Size Listings are a guide to sizes only and must not be solely relied on for critical design information.

DISTRIBUTED BY

Distributed By:

