



Push On Retaining Rings - Stainless Steel

10/4/2018

Indicates item not stocked at time of printing - Please enquire for lead time

E&OE Pricing and all details subject to change without notice - Copyright Miniature Bearings Australia Pty Ltd

MBA Size Listings are a guide to sizes only and must not be solely relied on for critical design information.

Page 1 of 5

INFORMATION

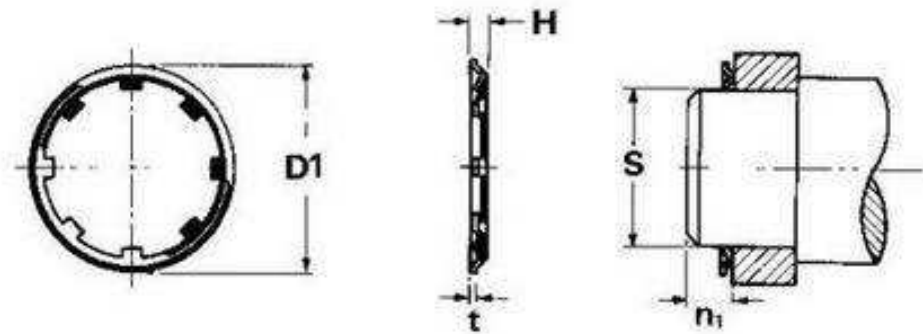
Rotor Clip TY. Stainless Steel hardness HR15N 82.5-86

PH 15-7/17-7 Stainless Steel

Indicates item not stocked at time of printing - Please enquire for lead time

E&OE Pricing and all details subject to change without notice - Copyright Miniature Bearings Australia Pty Ltd

MBA Size Listings are a guide to sizes only and must not be solely relied on for critical design information.



Indicates item not stocked at time of printing - Please enquire for lead time

E&OE Pricing and all details subject to change without notice - Copyright Miniature Bearings Australia Pty Ltd

MBA Size Listings are a guide to sizes only and must not be solely relied on for critical design information.

Push On Retaining Rings - Stainless Steel

Part Number	Min shaft size (s1) mm <i>inches</i>	Max Shaft Size (s2) mm <i>inches</i>	Outside diameter (D1) mm <i>inches</i>	Min shaft extension (n1) mm <i>inches</i>	Material	Height (H) Max. mm <i>inches</i>	Material Thickness (t) mm <i>inches</i>
# RPO-024-024-SP15	2.36 <i>0.093</i>	2.41 <i>0.095</i>	6.35 <i>0.250</i>	1.02 <i>0.040</i>			1.02 <i>0.040</i>
# RPO-031-033-SP15	3.07 <i>0.121</i>	3.28 <i>0.129</i>	9 <i>0.354</i>	1.47 <i>0.058</i>	PH 15-7/17-7		0.25 <i>0.010</i>
# RPO-031-032-SP15	3.15 <i>0.124</i>	3.20 <i>0.126</i>	8.26 <i>0.325</i>	1.02 <i>0.040</i>			1.02 <i>0.040</i>
# RPO-039-040-SP15	3.94 <i>0.155</i>	3.99 <i>0.157</i>	9.04 <i>0.356</i>	1.02 <i>0.040</i>			1.02 <i>0.040</i>
# RPO-047-049-SP15	4.67 <i>0.184</i>	4.88 <i>0.192</i>	11 <i>0.433</i>	1.57 <i>0.062</i>	PH 15-7/17-7		0.25 <i>0.010</i>
# RPO-047-048-SP15	4.75 <i>0.187</i>	4.80 <i>0.189</i>	9.83 <i>0.387</i>	1.02 <i>0.040</i>			1.02 <i>0.040</i>
RPO-048-048-SP15	4.75 <i>0.187</i>	4.80 <i>0.189</i>	9.83 <i>0.387</i>	1.02 <i>0.040</i>			0.25 <i>0.010</i>
# RPO-063-065-SP15	6.25 <i>0.246</i>	6.45 <i>0.254</i>	13 <i>0.512</i>	1.88 <i>0.074</i>	PH 15-7/17-7		0.38 <i>0.015</i>
# RPO-063-064-SP15	6.32 <i>0.249</i>	6.38 <i>0.251</i>	11.43 <i>0.450</i>	1.02 <i>0.040</i>			1.02 <i>0.040</i>
# RPO-078-080-SP15	7.82 <i>0.308</i>	8.03 <i>0.316</i>	15 <i>0.591</i>	1.88 <i>0.074</i>	PH 15-7/17-7		0.38 <i>0.015</i>

Indicates item not stocked at time of printing - Please enquire for lead time

E&OE Pricing and all details subject to change without notice - Copyright Miniature Bearings Australia Pty Ltd
MBA Size Listings are a guide to sizes only and must not be solely relied on for critical design information.

Push On Retaining Rings - Stainless Steel

Part Number	Min shaft size (s1) mm <i>inches</i>	Max Shaft Size (s2) mm <i>inches</i>	Outside diameter (D1) mm <i>inches</i>	Min shaft extension (n1) mm <i>inches</i>	Material	Height (H) Max. mm <i>inches</i>	Material Thickness (t) mm <i>inches</i>
# RPO-079-080-SP15	7.90 <i>0.311</i>	7.95 <i>0.313</i>	13.00 <i>0.512</i>	1.02 <i>0.040</i>			1.02 <i>0.040</i>
# RPO-094-096-SP15	9.42 <i>0.371</i>	9.63 <i>0.379</i>	16 <i>0.630</i>	1.88 <i>0.074</i>	PH 15-7/17-7		0.38 <i>0.015</i>
# RPO-095-096-SP15	9.50 <i>0.374</i>	9.55 <i>0.376</i>	14.61 <i>0.575</i>	1.02 <i>0.040</i>			1.02 <i>0.040</i>
# RPO-110-112-SP15	10.97 <i>0.432</i>	11.23 <i>0.442</i>	19 <i>0.748</i>	1.88 <i>0.074</i>	PH 15-7/17-7		0.38 <i>0.015</i>
# RPO-126-128-SP15	12.65 <i>0.498</i>	12.75 <i>0.502</i>	19.05 <i>0.750</i>	1.52 <i>0.060</i>			1.52 <i>0.060</i>
# RPO-158-159-SP15	15.82 <i>0.623</i>	15.93 <i>0.627</i>	22.23 <i>0.875</i>	1.52 <i>0.060</i>			1.52 <i>0.060</i>
# RPO-189-192-SP15	18.92 <i>0.745</i>	19.18 <i>0.755</i>	27 <i>1.063</i>	2.74 <i>0.108</i>	PH 15-7/17-7		0.38 <i>0.015</i>

Indicates item not stocked at time of printing - Please enquire for lead time

E&OE Pricing and all details subject to change without notice - Copyright Miniature Bearings Australia Pty Ltd

MBA Size Listings are a guide to sizes only and must not be solely relied on for critical design information.

DISTRIBUTED BY

Distributed By:

