



Rail Systems - Type 1 - Linear - Precision - Carriages - Narrow

10/4/2018

Indicates item not stocked at time of printing - Please enquire for lead time

E&OE Pricing and all details subject to change without notice - Copyright Miniature Bearings Australia Pty Ltd

MBA Size Listings are a guide to sizes only and must not be solely relied on for critical design information.

Page 1 of 4

INFORMATION

Match with rails by Size Column. With Lube Reservoir

Profile rail guides are used in the production of linear guidance systems with unlimited travel.

They consist of a profile rail with 4 precision ground raceways and a slide usint with four ball circulation paths.

The square configuration of the raceways results in a guidance system with good rigidity, capable of withstanding moment loads in all directions.

The load carrying capacity is equal in all four directions. Low vibration and low noise.

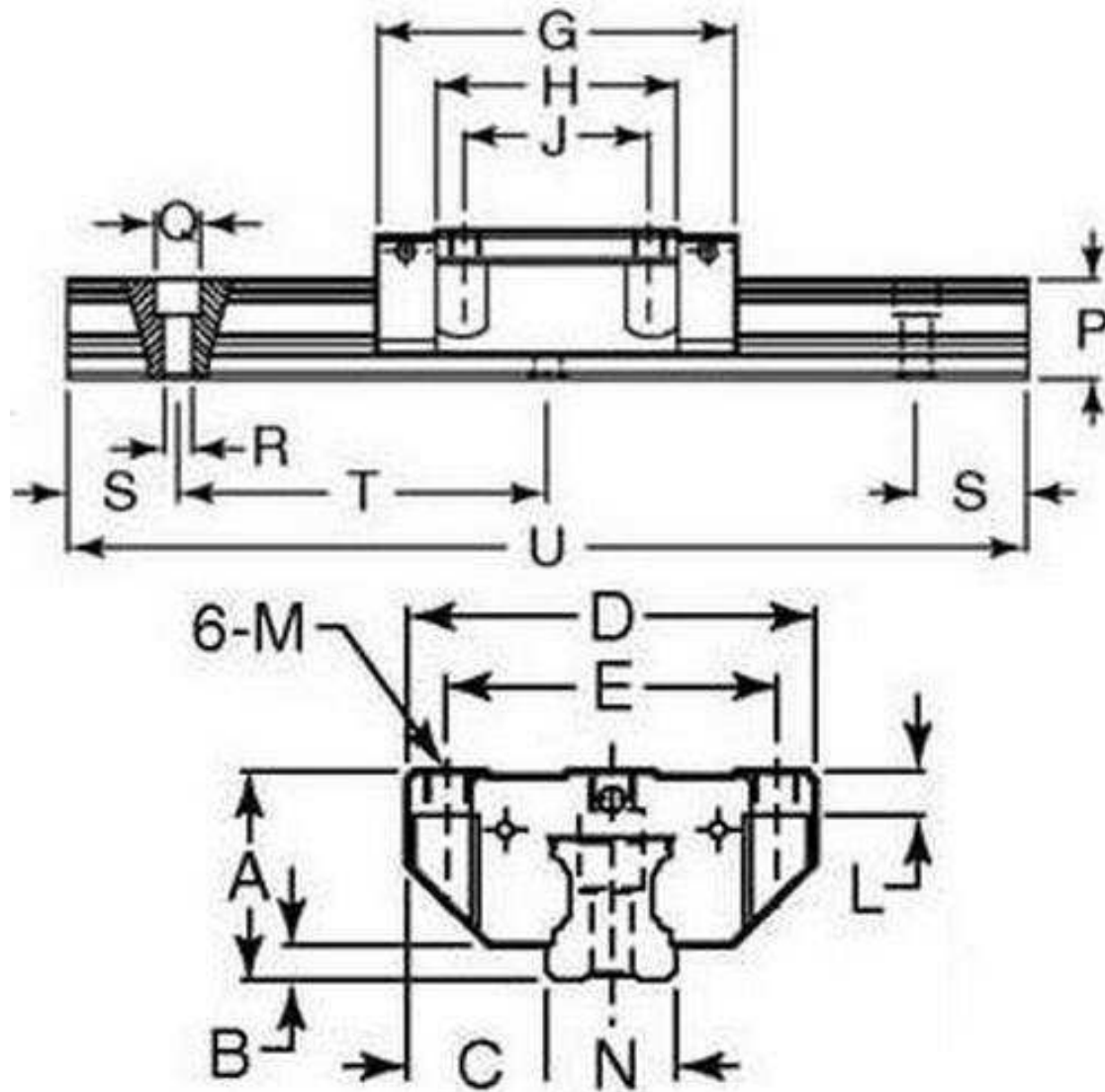
Case hardened steel. Supplied with a light preload. Lubricated with lithium based grease.

This catalogue to be read in conjunction with information at <http://www.minibearings.com.au//partslist/railsystemstype1linearprecisionrails/>

Indicates item not stocked at time of printing - Please enquire for lead time

E&OE Pricing and all details subject to change without notice - Copyright Miniature Bearings Australia Pty Ltd

MBA Size Listings are a guide to sizes only and must not be solely relied on for critical design information.



Indicates item not stocked at time of printing - Please enquire for lead time

E&OE Pricing and all details subject to change without notice - Copyright Miniature Bearings Australia Pty Ltd

MBA Size Listings are a guide to sizes only and must not be solely relied on for critical design information.

Rail Systems - Type 1 - Linear - Precision - Carriages - Narrow

Part Number	Size	Overall Height (A) mm	C mm	Top Width (D) mm	Bolt Centres Width (E) mm	Overall Length (G) mm	Carriage Length (H) mm	Bolt Centres Length (J) mm	Flange Thickness (L) mm	Bolt Size and Depth mm
		<i>inches</i>	<i>inches</i>	<i>inches</i>	<i>inches</i>	<i>inches</i>	<i>inches</i>	<i>inches</i>	<i>inches</i>	<i>inches</i>
# SKF-507RS	24	28.000 <i>1.102</i>	9.500 <i>0.374</i>	34.000 <i>1.339</i>	26.000 <i>1.024</i>	58.200 <i>2.291</i>	39.200 <i>1.543</i>	26.000 <i>1.024</i>	5.000 <i>0.197</i>	M4 x 6
# SKF-508RS	30	30.000 <i>1.181</i>	12.000 <i>0.472</i>	44.000 <i>1.732</i>	32.000 <i>1.260</i>	75.000 <i>2.953</i>	49.600 <i>1.953</i>	36.000 <i>1.417</i>	6.000 <i>0.236</i>	M5 x 7.5
# SKF-513RS	36	40.000 <i>1.575</i>	12.500 <i>0.492</i>	48.000 <i>1.890</i>	35.000 <i>1.378</i>	107.300 <i>4.224</i>	79.500 <i>3.130</i>	50.000 <i>1.969</i>	7.500 <i>0.295</i>	M6 x 9
# SKF-509RS	36	40.000 <i>1.575</i>	12.500 <i>0.492</i>	48.000 <i>1.890</i>	35.000 <i>1.378</i>	85.600 <i>3.370</i>	57.800 <i>2.276</i>	35.000 <i>1.378</i>	7.500 <i>0.295</i>	M6 x 9
# SKF-514RS	42	45.000 <i>1.772</i>	16.000 <i>0.630</i>	60.000 <i>2.362</i>	40.000 <i>1.575</i>	119.200 <i>4.693</i>	89.400 <i>3.520</i>	60.000 <i>2.362</i>	7.000 <i>0.276</i>	M8 x 12
# SKF-510RS	42	45.000 <i>1.772</i>	16.000 <i>0.630</i>	60.000 <i>2.362</i>	40.000 <i>1.575</i>	97.200 <i>3.827</i>	67.400 <i>2.654</i>	40.000 <i>1.575</i>	7.000 <i>0.276</i>	M8 x 12
# SKF-515RS	48	55.000 <i>2.165</i>	18.000 <i>0.709</i>	70.000 <i>2.756</i>	50.000 <i>1.969</i>	138.500 <i>5.453</i>	105.500 <i>4.154</i>	72.000 <i>2.835</i>	8.000 <i>0.315</i>	M8 x 13
# SKF-511RS	48	55.000 <i>2.165</i>	18.000 <i>0.709</i>	70.000 <i>2.756</i>	50.000 <i>1.969</i>	110.000 <i>4.331</i>	77.000 <i>3.031</i>	50.000 <i>1.969</i>	8.000 <i>0.315</i>	M8 x 13
# SKF-516RS	60	70.000 <i>2.756</i>	20.500 <i>0.807</i>	86.000 <i>3.386</i>	60.000 <i>2.362</i>	174.100 <i>6.854</i>	133.500 <i>5.256</i>	80.000 <i>3.150</i>	10.000 <i>0.394</i>	M10 x 18
# SKF-512RS	60	70.000 <i>2.756</i>	20.500 <i>0.807</i>	86.000 <i>3.386</i>	60.000 <i>2.362</i>	137.600 <i>5.417</i>	97.000 <i>3.819</i>	60.000 <i>2.362</i>	10.000 <i>0.394</i>	M10 x 18

Indicates item not stocked at time of printing - Please enquire for lead time

Page 4 of 4

E&OE Pricing and all details subject to change without notice - Copyright Miniature Bearings Australia Pty Ltd
MBA Size Listings are a guide to sizes only and must not be solely relied on for critical design information.

DISTRIBUTED BY

Distributed By:

