



Rail Systems - Type 1 - Linear - Precision - Rails

10/4/2018

Indicates item not stocked at time of printing - Please enquire for lead time

E&OE Pricing and all details subject to change without notice - Copyright Miniature Bearings Australia Pty Ltd

MBA Size Listings are a guide to sizes only and must not be solely relied on for critical design information.

Page 1 of 6

INFORMATION

Match with carriages by Size Column

Profile rail guides are used in the production of linear guidance systems with unlimited travel.

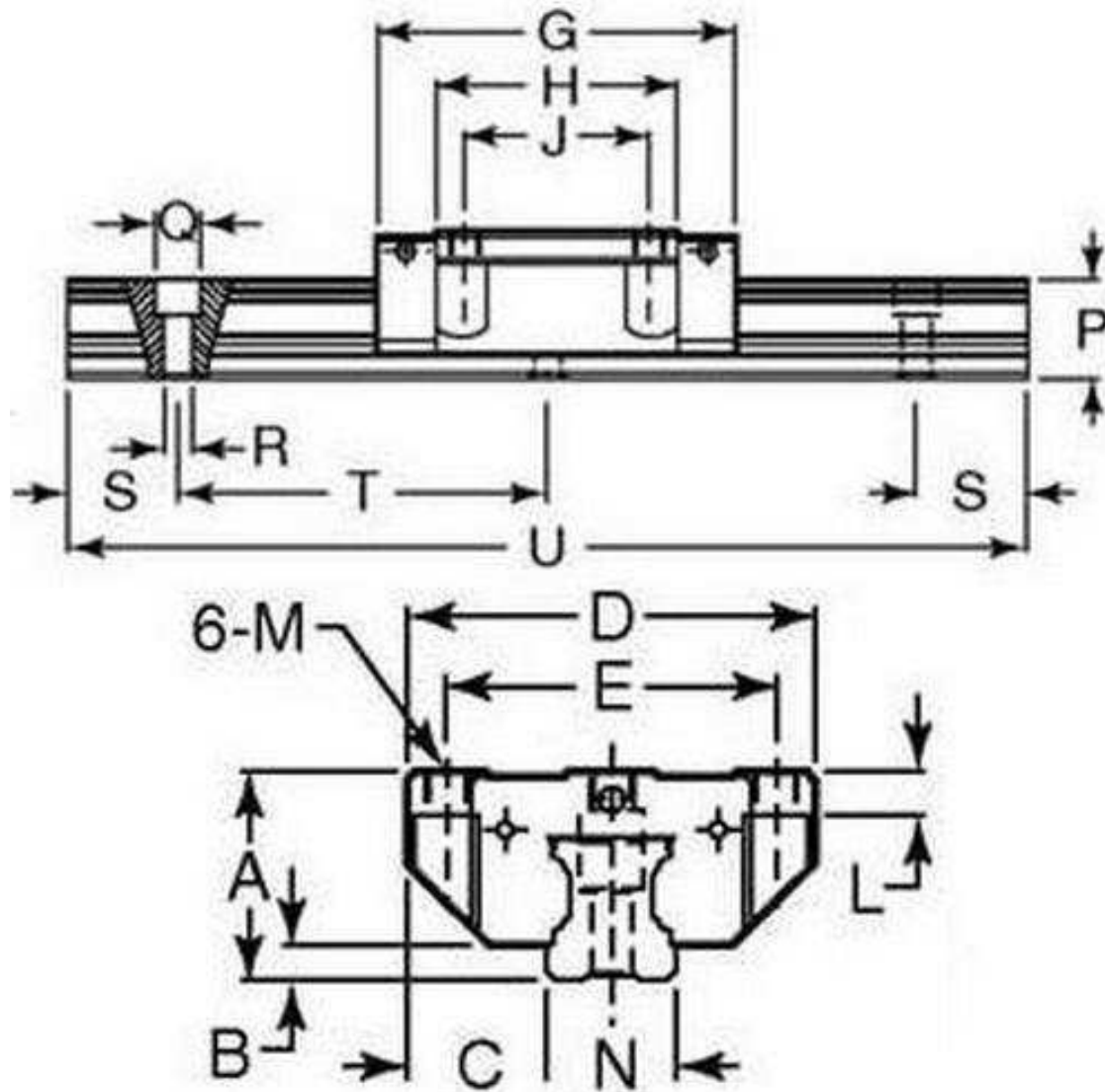
They consist of a profile rail with 4 precision ground raceways and a slide usint with four ball circulation paths.

The square configuration of the raceways results in a guidance system with good rigidity, capable of withstanding moment loads in all directions.

The load carrying capacity is equal in all four directions. Low vibration and low noise.

Case hardened steel. Supplied with a light preload. Lubricated with lithium based grease.

This catalogue to be read in conjunction with information at
<http://www.minibearings.com.au//partslist/railsystemstype1linearprecisioncarriagesflanged/>
<http://www.minibearings.com.au//partslist/railsystemstype1linearprecisioncarriagesnarrow/>



Indicates item not stocked at time of printing - Please enquire for lead time

E&OE Pricing and all details subject to change without notice - Copyright Miniature Bearings Australia Pty Ltd

MBA Size Listings are a guide to sizes only and must not be solely relied on for critical design information.

Rail Systems - Type 1 - Linear - Precision - Rails

Part Number	Size	B mm	Width (N) mm	Height (P) mm	Q mm	R mm	S mm	T mm	Length (U) mm
		<i>inches</i>	<i>inches</i>	<i>inches</i>	<i>inches</i>	<i>inches</i>	<i>inches</i>	<i>inches</i>	<i>inches</i>
# SKF-368RS	24	4.100 <i>0.161</i>	15.000 <i>0.591</i>	16.300 <i>0.642</i>	7.400 <i>0.291</i>	4.400 <i>0.173</i>	20.000 <i>0.787</i>	60.000 <i>2.362</i>	820.000 <i>32.283</i>
# SKF-366RS	24	4.100 <i>0.161</i>	15.000 <i>0.591</i>	16.300 <i>0.642</i>	7.400 <i>0.291</i>	4.400 <i>0.173</i>	20.000 <i>0.787</i>	60.000 <i>2.362</i>	220.000 <i>8.661</i>
# SKF-367RS	24	4.100 <i>0.161</i>	15.000 <i>0.591</i>	16.300 <i>0.642</i>	7.400 <i>0.291</i>	4.400 <i>0.173</i>	20.000 <i>0.787</i>	60.000 <i>2.362</i>	460.000 <i>18.110</i>
# SKF-371RS	30	4.650 <i>0.183</i>	20.000 <i>0.787</i>	20.750 <i>0.817</i>	9.400 <i>0.370</i>	6.000 <i>0.236</i>	20.000 <i>0.787</i>	60.000 <i>2.362</i>	1000.000 <i>39.370</i>
# SKF-369RS	30	4.650 <i>0.183</i>	20.000 <i>0.787</i>	20.750 <i>0.817</i>	9.400 <i>0.370</i>	6.000 <i>0.236</i>	20.000 <i>0.787</i>	60.000 <i>2.362</i>	280.000 <i>11.024</i>
# SKF-370RS	30	4.650 <i>0.183</i>	20.000 <i>0.787</i>	20.750 <i>0.817</i>	9.400 <i>0.370</i>	6.000 <i>0.236</i>	20.000 <i>0.787</i>	60.000 <i>2.362</i>	640.000 <i>25.197</i>
# SKF-372RS	36	6.100 <i>0.240</i>	23.000 <i>0.906</i>	24.450 <i>0.963</i>	11.000 <i>0.433</i>	7.000 <i>0.276</i>	20.000 <i>0.787</i>	60.000 <i>2.362</i>	340.000 <i>13.386</i>
# SKF-375RS	36	6.100 <i>0.240</i>	23.000 <i>0.906</i>	24.450 <i>0.963</i>	11.000 <i>0.433</i>	7.000 <i>0.276</i>	20.000 <i>0.787</i>	60.000 <i>2.362</i>	1600.000 <i>62.992</i>
# SKF-373RS	36	6.100 <i>0.240</i>	23.000 <i>0.906</i>	24.450 <i>0.963</i>	11.000 <i>0.433</i>	7.000 <i>0.276</i>	20.000 <i>0.787</i>	60.000 <i>2.362</i>	820.000 <i>32.283</i>
# SKF-374RS	36	6.100 <i>0.240</i>	23.000 <i>0.906</i>	24.450 <i>0.963</i>	11.000 <i>0.433</i>	7.000 <i>0.276</i>	20.000 <i>0.787</i>	60.000 <i>2.362</i>	1240.000 <i>48.819</i>

Indicates item not stocked at time of printing - Please enquire for lead time

Page 4 of 6

E&OE Pricing and all details subject to change without notice - Copyright Miniature Bearings Australia Pty Ltd
MBA Size Listings are a guide to sizes only and must not be solely relied on for critical design information.

Rail Systems - Type 1 - Linear - Precision - Rails

Part Number	Size	B mm	Width (N) mm	Height (P) mm	Q mm	R mm	S mm	T mm	Length (U) mm
		<i>inches</i>	<i>inches</i>	<i>inches</i>	<i>inches</i>	<i>inches</i>	<i>inches</i>	<i>inches</i>	<i>inches</i>
# SKF-376RS	42	6.650 <i>0.262</i>	28.000 <i>1.102</i>	28.550 <i>1.124</i>	15.000 <i>0.591</i>	9.000 <i>0.354</i>	20.000 <i>0.787</i>	80.000 <i>3.150</i>	440.000 <i>17.323</i>
# SKF-379RS	42	6.650 <i>0.262</i>	28.000 <i>1.102</i>	28.550 <i>1.124</i>	15.000 <i>0.591</i>	9.000 <i>0.354</i>	20.000 <i>0.787</i>	80.000 <i>3.150</i>	1640.000 <i>64.567</i>
# SKF-381RS	42	6.650 <i>0.262</i>	28.000 <i>1.102</i>	28.550 <i>1.124</i>	15.000 <i>0.591</i>	9.000 <i>0.354</i>	20.000 <i>0.787</i>	80.000 <i>3.150</i>	2520.000 <i>99.213</i>
# SKF-378RS	42	6.650 <i>0.262</i>	28.000 <i>1.102</i>	28.550 <i>1.124</i>	15.000 <i>0.591</i>	9.000 <i>0.354</i>	20.000 <i>0.787</i>	80.000 <i>3.150</i>	1240.000 <i>48.819</i>
# SKF-380RS	42	6.650 <i>0.262</i>	28.000 <i>1.102</i>	28.550 <i>1.124</i>	15.000 <i>0.591</i>	9.000 <i>0.354</i>	20.000 <i>0.787</i>	80.000 <i>3.150</i>	2040.000 <i>80.315</i>
# SKF-377RS	42	6.650 <i>0.262</i>	28.000 <i>1.102</i>	28.550 <i>1.124</i>	15.000 <i>0.591</i>	9.000 <i>0.354</i>	20.000 <i>0.787</i>	80.000 <i>3.150</i>	760.000 <i>29.921</i>
# SKF-387RS	48	7.600 <i>0.299</i>	34.000 <i>1.339</i>	31.850 <i>1.254</i>	15.000 <i>0.591</i>	9.000 <i>0.354</i>	20.000 <i>0.787</i>	80.000 <i>3.150</i>	2520.000 <i>99.213</i>
# SKF-386RS	48	7.600 <i>0.299</i>	34.000 <i>1.339</i>	31.850 <i>1.254</i>	15.000 <i>0.591</i>	9.000 <i>0.354</i>	20.000 <i>0.787</i>	80.000 <i>3.150</i>	2040.000 <i>80.315</i>
# SKF-384RS	48	7.600 <i>0.299</i>	34.000 <i>1.339</i>	31.850 <i>1.254</i>	15.000 <i>0.591</i>	9.000 <i>0.354</i>	20.000 <i>0.787</i>	80.000 <i>3.150</i>	1240.000 <i>48.819</i>
# SKF-385RS	48	7.600 <i>0.299</i>	34.000 <i>1.339</i>	31.850 <i>1.254</i>	15.000 <i>0.591</i>	9.000 <i>0.354</i>	20.000 <i>0.787</i>	80.000 <i>3.150</i>	1640.000 <i>64.567</i>

Indicates item not stocked at time of printing - Please enquire for lead time

Page 5 of 6

E&OE Pricing and all details subject to change without notice - Copyright Miniature Bearings Australia Pty Ltd
MBA Size Listings are a guide to sizes only and must not be solely relied on for critical design information.

Rail Systems - Type 1 - Linear - Precision - Rails

Part Number	Size	B mm	Width (N) mm	Height (P) mm	Q mm	R mm	S mm	T mm	Length (U) mm
		<i>inches</i>	<i>inches</i>	<i>inches</i>	<i>inches</i>	<i>inches</i>	<i>inches</i>	<i>inches</i>	<i>inches</i>
# SKF-383RS	48	7.600 <i>0.299</i>	34.000 <i>1.339</i>	31.850 <i>1.254</i>	15.000 <i>0.591</i>	9.000 <i>0.354</i>	20.000 <i>0.787</i>	80.000 <i>3.150</i>	760.000 <i>29.921</i>
# SKF-382RS	48	7.600 <i>0.299</i>	34.000 <i>1.339</i>	31.850 <i>1.254</i>	15.000 <i>0.591</i>	9.000 <i>0.354</i>	20.000 <i>0.787</i>	80.000 <i>3.150</i>	440.000 <i>17.323</i>

Indicates item not stocked at time of printing - Please enquire for lead time

E&OE Pricing and all details subject to change without notice - Copyright Miniature Bearings Australia Pty Ltd

MBA Size Listings are a guide to sizes only and must not be solely relied on for critical design information.

DISTRIBUTED BY

Distributed By:

