



# Rings - Backup

10/4/2018

# Indicates item not stocked at time of printing - Please enquire for lead time

E&OE Pricing and all details subject to change without notice - Copyright Miniature Bearings Australia Pty Ltd

MBA Size Listings are a guide to sizes only and must not be solely relied on for critical design information.

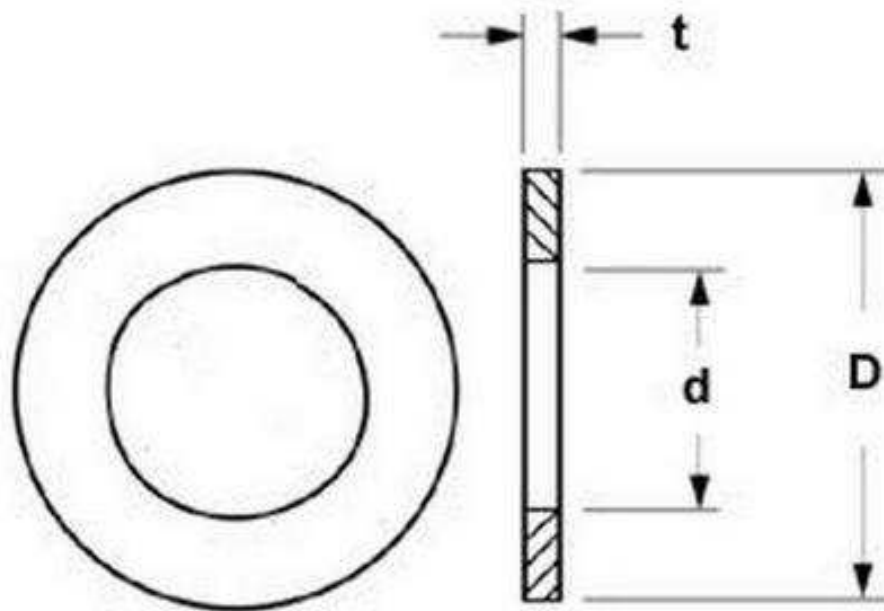
## INFORMATION

Durometer 90 Nitrile Rubber back up rings.

# Indicates item not stocked at time of printing - Please enquire for lead time

E&OE Pricing and all details subject to change without notice - Copyright Miniature Bearings Australia Pty Ltd

MBA Size Listings are a guide to sizes only and must not be solely relied on for critical design information.



# Indicates item not stocked at time of printing - Please enquire for lead time

E&OE Pricing and all details subject to change without notice - Copyright Miniature Bearings Australia Pty Ltd

MBA Size Listings are a guide to sizes only and must not be solely relied on for critical design information.

## Rings - Backup

| Part Number        | Inside Diameter (d) mm | Outside Diameter (D) mm | Thickness (t) mm     |
|--------------------|------------------------|-------------------------|----------------------|
|                    | <i>inches</i>          | <i>inches</i>           | <i>inches</i>        |
| BU-0032-0064-135   | 3.2<br><i>0.126</i>    | 6.4<br><i>0.252</i>     | 1.35<br><i>0.053</i> |
| # BU-0039-0072-135 | 3.9<br><i>0.154</i>    | 7.2<br><i>0.283</i>     | 1.35<br><i>0.053</i> |
| # BU-0056-0087-135 | 5.6<br><i>0.220</i>    | 8.7<br><i>0.343</i>     | 1.35<br><i>0.053</i> |
| # BU-0064-0095-135 | 6.4<br><i>0.252</i>    | 9.5<br><i>0.374</i>     | 1.35<br><i>0.053</i> |
| BU-0079-0111-135   | 7.9<br><i>0.311</i>    | 11.1<br><i>0.437</i>    | 1.35<br><i>0.053</i> |
| # BU-0095-0127-135 | 9.5<br><i>0.374</i>    | 12.7<br><i>0.500</i>    | 1.35<br><i>0.053</i> |
| # BU-0095-0143-135 | 9.5<br><i>0.374</i>    | 14.3<br><i>0.563</i>    | 1.35<br><i>0.053</i> |
| # BU-0111-0159-135 | 11.1<br><i>0.437</i>   | 15.9<br><i>0.626</i>    | 1.35<br><i>0.053</i> |
| # BU-0206-0270-135 | 20.6<br><i>0.811</i>   | 27<br><i>1.063</i>      | 1.35<br><i>0.053</i> |
| # BU-0270-0333-135 | 27<br><i>1.063</i>     | 33.3<br><i>1.311</i>    | 1.35<br><i>0.053</i> |

# Indicates item not stocked at time of printing - Please enquire for lead time

E&OE Pricing and all details subject to change without notice - Copyright Miniature Bearings Australia Pty Ltd

MBA Size Listings are a guide to sizes only and must not be solely relied on for critical design information.

## Rings - Backup

| Part Number        | Inside Diameter (d) mm | Outside Diameter (D) mm | Thickness (t) mm     |
|--------------------|------------------------|-------------------------|----------------------|
|                    | <i>inches</i>          | <i>inches</i>           | <i>inches</i>        |
| # BU-0282-0352-135 | 28.2<br><i>1.110</i>   | 35.2<br><i>1.386</i>    | 1.14 - 1.35          |
| # BU-0302-0365-135 | 30.2<br><i>1.189</i>   | 36.5<br><i>1.437</i>    | 1.35<br><i>0.053</i> |
| # BU-0333-0397-135 | 33.3<br><i>1.311</i>   | 39.7<br><i>1.563</i>    | 1.35<br><i>0.053</i> |
| # BU-0365-0429-135 | 36.5<br><i>1.437</i>   | 42.9<br><i>1.689</i>    | 1.35<br><i>0.053</i> |

# Indicates item not stocked at time of printing - Please enquire for lead time

E&OE Pricing and all details subject to change without notice - Copyright Miniature Bearings Australia Pty Ltd

MBA Size Listings are a guide to sizes only and must not be solely relied on for critical design information.

DISTRIBUTED BY

Distributed By:

