



# Rings - Hoist - With Ball Bearings

10/4/2018

# Indicates item not stocked at time of printing - Please enquire for lead time

E&OE Pricing and all details subject to change without notice - Copyright Miniature Bearings Australia Pty Ltd

MBA Size Listings are a guide to sizes only and must not be solely relied on for critical design information.

## INFORMATION

Multidirectional loading with design factor 4 to 1

Adjustable under load

Suitable for through bore holes.

Suitable for all loads which have to be rotated 360<sup>o</sup>

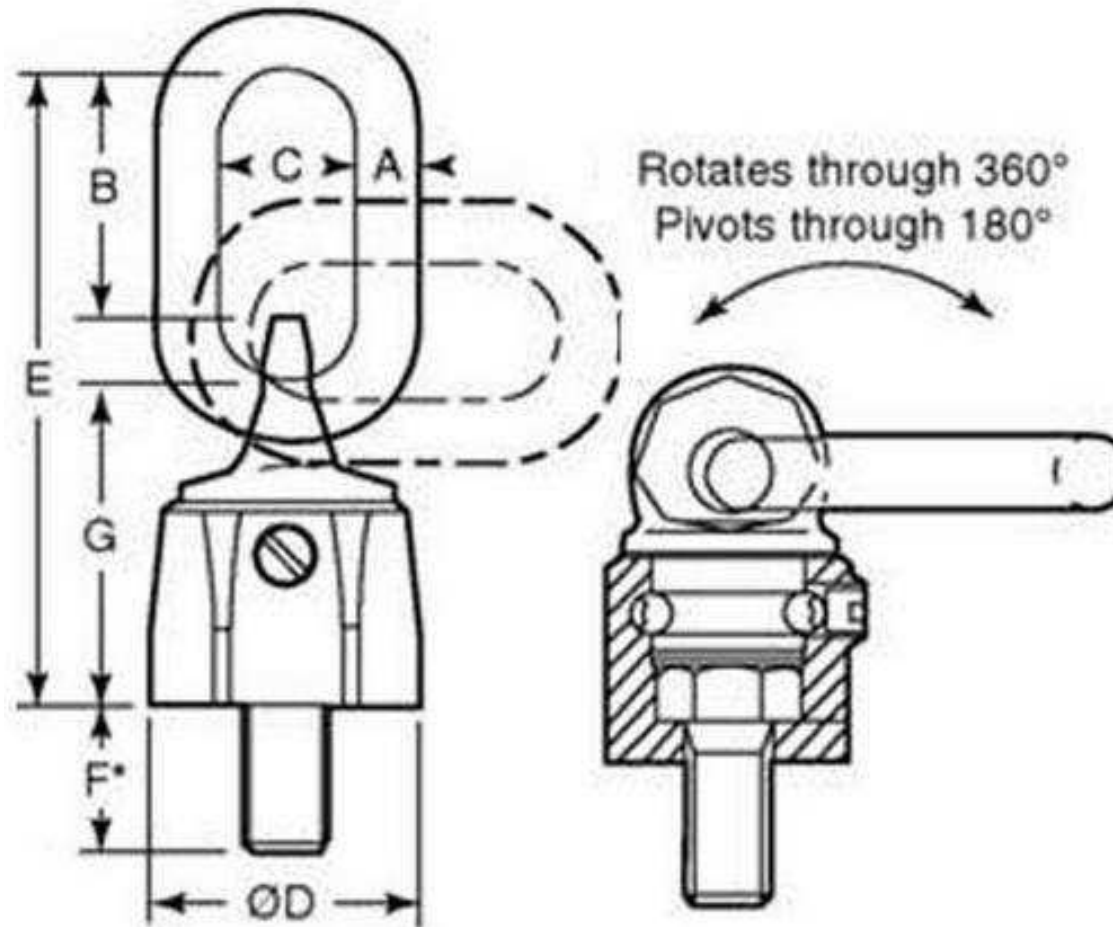
High tensile suspension ring and bearing housing.

100 percent electro magnetic crack tested

# Indicates item not stocked at time of printing - Please enquire for lead time

E&OE Pricing and all details subject to change without notice - Copyright Miniature Bearings Australia Pty Ltd

MBA Size Listings are a guide to sizes only and must not be solely relied on for critical design information.



# Indicates item not stocked at time of printing - Please enquire for lead time

E&OE Pricing and all details subject to change without notice - Copyright Miniature Bearings Australia Pty Ltd

MBA Size Listings are a guide to sizes only and must not be solely relied on for critical design information.

## Rings - Hoist - With Ball Bearings

Part Number	Bolt Size	Rated Load Kg	Wire Thickness (A) mm <i>inches</i>	Ring Clearance (B) mm <i>inches</i>	Ring Opening (C) mm <i>inches</i>	Base Diameter (D) mm <i>inches</i>	Length (E) mm <i>inches</i>	Thread Length (F) mm <i>inches</i>	Base Height (G) mm <i>inches</i>
# VRS-11RS	3/8-16 UNC (9.525mm)	449	7.925 <i>0.312</i>	33.338 <i>1.313</i>	28.575 <i>1.125</i>	33.325 <i>1.312</i>	77.775 <i>3.062</i>	17.463 <i>0.688</i>	38.100 <i>1.500</i>
# VRS-16RS	M10x1.5 (10mm Standard)	449	7.925 <i>0.312</i>	33.325 <i>1.312</i>	28.575 <i>1.125</i>	33.325 <i>1.312</i>	77.775 <i>3.062</i>	17.463 <i>0.688</i>	38.100 <i>1.500</i>
# VRS-12RS	1/2-13 UNC (12.7mm)	601	9.525 <i>0.375</i>	50.800 <i>2.000</i>	34.925 <i>1.375</i>	38.100 <i>1.500</i>	104.775 <i>4.125</i>	20.638 <i>0.813</i>	44.450 <i>1.750</i>
# VRS-14RS	3/4-10 UNC (19.05mm)	1996	12.700 <i>0.500</i>	55.563 <i>2.188</i>	31.750 <i>1.250</i>	61.913 <i>2.438</i>	134.938 <i>5.313</i>	26.988 <i>1.063</i>	63.500 <i>2.500</i>
# VRS-20RS	M24x3 (24mm Standard)	3493	17.463 <i>0.688</i>	66.675 <i>2.625</i>	41.275 <i>1.625</i>	77.775 <i>3.062</i>	171.450 <i>6.750</i>	41.275 <i>1.625</i>	85.725 <i>3.375</i>

# Indicates item not stocked at time of printing - Please enquire for lead time

Page 4 of 4

E&OE Pricing and all details subject to change without notice - Copyright Miniature Bearings Australia Pty Ltd

MBA Size Listings are a guide to sizes only and must not be solely relied on for critical design information.

DISTRIBUTED BY

Distributed By:

