



Rings - Lift - Universal

10/4/2018

Indicates item not stocked at time of printing - Please enquire for lead time

E&OE Pricing and all details subject to change without notice - Copyright Miniature Bearings Australia Pty Ltd

MBA Size Listings are a guide to sizes only and must not be solely relied on for critical design information.

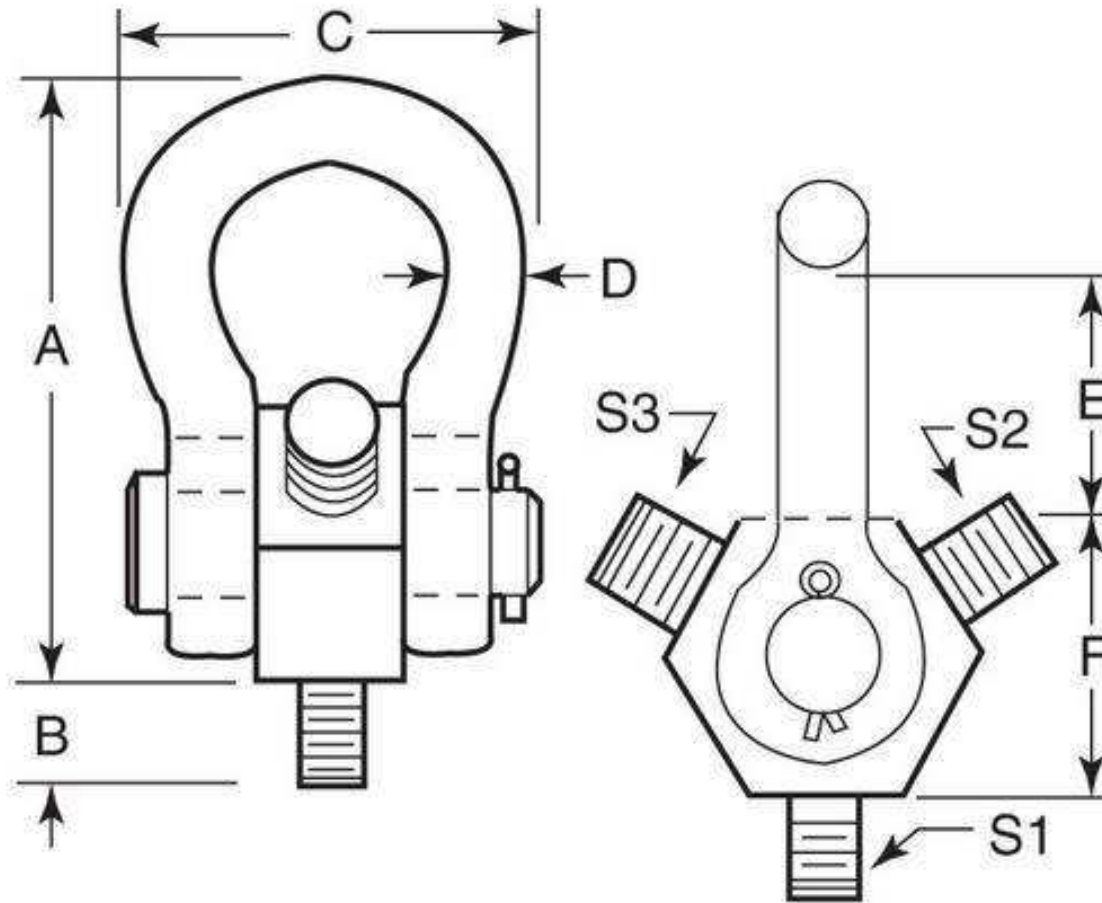
INFORMATION

For straight lifting only. Each ring offers three different thread sizes for varied use. Made of high strength steel. Do not apply side load. Lifting capacities are MAXIMUM safe working load.

Indicates item not stocked at time of printing - Please enquire for lead time

E&OE Pricing and all details subject to change without notice - Copyright Miniature Bearings Australia Pty Ltd

MBA Size Listings are a guide to sizes only and must not be solely relied on for critical design information.



Indicates item not stocked at time of printing - Please enquire for lead time

E&OE Pricing and all details subject to change without notice - Copyright Miniature Bearings Australia Pty Ltd

MBA Size Listings are a guide to sizes only and must not be solely relied on for critical design information.

Rings - Lift - Universal

Part Number	Screw Size S1	Screw Size S2	Screw Size S3	Ring Length (A) mm	Thread Length (B) mm	Ring Width (C) mm	Ring Wire Diameter (D) mm	Ring Clearance (E) mm	Flat Diameter (F) mm	S1 Rated Load kg
				<i>inches</i>	<i>inches</i>	<i>inches</i>	<i>inches</i>	<i>inches</i>	<i>inches</i>	
# SHR-34010RS	1/2-13 UNC (12.7mm)	5/8-11 UNC	3/4-10 UNC	114.30	19.05	76.20	15.88	44.45	50.80	1179
				<i>4.500</i>	<i>0.750</i>	<i>3.000</i>	<i>0.625</i>	<i>1.750</i>	<i>2.000</i>	

Indicates item not stocked at time of printing - Please enquire for lead time

E&OE Pricing and all details subject to change without notice - Copyright Miniature Bearings Australia Pty Ltd

MBA Size Listings are a guide to sizes only and must not be solely relied on for critical design information.

DISTRIBUTED BY

Distributed By:

