

# Rings - Tolerance

10/4/2018

# Indicates item not stocked at time of printing - Please enquire for lead time

E&OE Pricing and all details subject to change without notice - Copyright Miniature Bearings Australia Pty Ltd

MBA Size Listings are a guide to sizes only and must not be solely relied on for critical design information.

## INFORMATION

Tolerance rings allow looser tolerances for assembly of parts such as bearings, pulleys and gears.

Allows looser tolerances of components.

Ideal for mounting ball bearings.

Useful for salvaging worn parts.

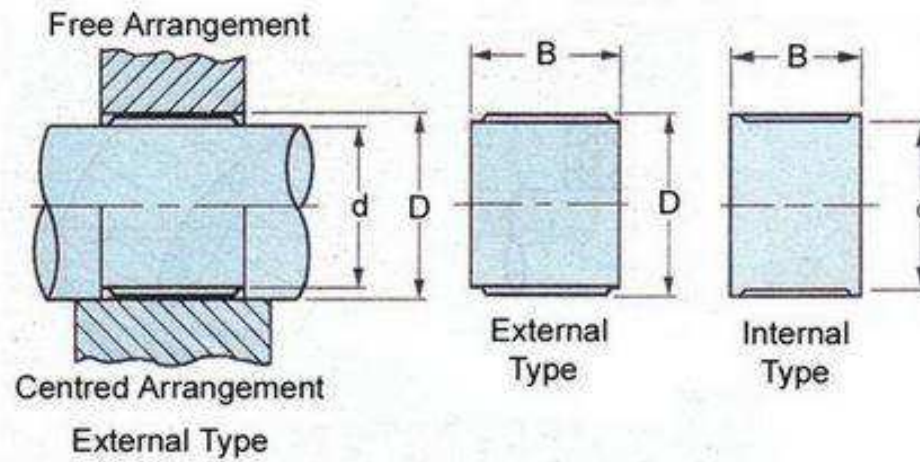
Permits low cost assembly by eliminating the need for conventional fasteners.

Use Torque Transfer figures for gears and pulleys. Non torque transfer figures are for bearing applications.

# Indicates item not stocked at time of printing - Please enquire for lead time

E&OE Pricing and all details subject to change without notice - Copyright Miniature Bearings Australia Pty Ltd

MBA Size Listings are a guide to sizes only and must not be solely relied on for critical design information.



# Indicates item not stocked at time of printing - Please enquire for lead time

E&OE Pricing and all details subject to change without notice - Copyright Miniature Bearings Australia Pty Ltd

MBA Size Listings are a guide to sizes only and must not be solely relied on for critical design information.

## Rings - Tolerance

Part Number	Inner Part OD (d) mm	Outer Part ID (D) mm	Ring Width (B) mm	Inner Part OD (dT) mm For Torque Transfer	Outer Part ID (DT) mm For Torque Transfer	Max. Design Torque N.m	Style	Material	Max. Radial Load N	Max. Design Thrust N
# TR-041-050-050-C	4.06 to 4.04	5.00 to 5.03	5.00 <i>0.197</i>	4.19 to 4.14		0.17	External	Hi-Carbon Spring Steel	180	70
# TR-041-050-060-C	4.06 to 4.04	5.00 to 5.03	6.00 <i>0.236</i>	4.19 to 4.14		0.23	External	Hi-Carbon Spring Steel	220	90
# TR-046-055-060-C	4.57 to 4.52	5.50 to 5.53	6.00 <i>0.236</i>	4.67 to 4.62		0.23	External	Hi-Carbon Spring Steel	245	85
# TR-048-057-064-C	4.775 to 4.750	5.740 to 5.690	6.35 <i>0.250</i>		5.613 to 5.563	0.34	Internal	Hi-Carbon Spring Steel	111	133
# TR-048-057-111-C	4.775 to 4.750	5.740 to 5.690	11.13 <i>0.438</i>		5.613 to 5.563	0.68	Internal	Hi-Carbon Spring Steel	178	289
TR-048-057-127-C	4.775 to 4.750	5.740 to 5.690	12.70 <i>0.500</i>		5.613 to 5.563	0.79	Internal	Hi-Carbon Spring Steel	222	334
# TR-051-060-060-C	5.05 to 5.00	6.00 to 6.03	6.00 <i>0.236</i>	5.18 to 5.13		0.34	External	Hi-Carbon Spring Steel	380	115
# TR-051-060-080-C	5.05 to 5.00	6.00 to 6.03	8.00 <i>0.315</i>	5.18 to 5.13		0.45	External	Hi-Carbon Spring Steel	490	150

# Indicates item not stocked at time of printing - Please enquire for lead time

E&OE Pricing and all details subject to change without notice - Copyright Miniature Bearings Australia Pty Ltd

MBA Size Listings are a guide to sizes only and must not be solely relied on for critical design information.

## Rings - Tolerance

Part Number	Inner Part OD (d) mm	Outer Part ID (D) mm	Ring Width (B) mm	Inner Part OD (dT) mm For Torque Transfer	Outer Part ID (DT) mm For Torque Transfer	Max. Design Torque N.m	Style	Material	Max. Radial Load N	Max. Design Thrust N
# TR-054-064-064-C	5.410 to 5.359	6.350 to 6.325	6.35 <i>0.250</i>	5.537 to 5.486		0.56	External	Hi-Carbon Spring Steel	467	177
# TR-054-064-095-C	5.410 to 5.359	6.350 to 6.325	9.53 <i>0.375</i>	5.537 to 5.486		0.90	External	Hi-Carbon Spring Steel	689	289
# TR-060-070-060-C	6.00 to 5.98	6.96 to 6.93	6.00 <i>0.236</i>		6.86 to 6.83	0.45	Internal	Hi-Carbon Spring Steel	135	150
# TR-064-073-095-C	6.350 to 6.325	7.341 to 7.290	9.53 <i>0.375</i>		7.214 to 7.163	1.02	Internal	Hi-Carbon Spring Steel	289	311
# TR-065-079-064-C	6.502 to 6.452	7.925 to 7.900	6.35 <i>0.250</i>	6.655 to 6.604		0.90	External	Hi-Carbon Spring Steel	245	222
# TR-065-079-127-C	6.502 to 6.452	7.925 to 7.900	12.70 <i>0.500</i>	6.655 to 6.604		1.81	External	Hi-Carbon Spring Steel	512	444
# TR-066-080-050-C	6.58 to 6.53	8.00 to 8.03	5.00 <i>0.197</i>	6.71 to 6.65		0.45	External	Hi-Carbon Spring Steel	555	110
# TR-066-080-070-C	6.58 to 6.53	8.00 to 8.03	7.00 <i>0.276</i>	6.71 to 6.65		0.68	External	Hi-Carbon Spring Steel	780	170

# Indicates item not stocked at time of printing - Please enquire for lead time

Page 5 of 19

E&OE Pricing and all details subject to change without notice - Copyright Miniature Bearings Australia Pty Ltd  
MBA Size Listings are a guide to sizes only and must not be solely relied on for critical design information.

## Rings - Tolerance

Part Number	Inner Part OD (d) mm	Outer Part ID (D) mm	Ring Width (B) mm	Inner Part OD (dT) mm For Torque Transfer	Outer Part ID (DT) mm For Torque Transfer	Max. Design Torque N.m	Style	Material	Max. Radial Load N	Max. Design Thrust N
# TR-080-094-064-C	7.950 to 7.925	9.398 to 9.347	6.35 <i>0.250</i>		9.220 to 9.169	1.02	Internal	Hi-Carbon Spring Steel	289	267
# TR-080-094-080-C	7.950 to 7.925	9.398 to 9.347	7.95 <i>0.313</i>		9.220 to 9.169	1.24	Internal	Hi-Carbon Spring Steel	356	311
# TR-080-094-095-C	7.950 to 7.925	9.398 to 9.347	9.53 <i>0.375</i>		9.220 to 9.169	1.58	Internal	Hi-Carbon Spring Steel	445	400
# TR-080-094-127-C	7.950 to 7.925	9.398 to 9.347	12.70 <i>0.500</i>		9.220 to 9.169	2.03	Internal	Hi-Carbon Spring Steel	578	512
# TR-081-095-064-C	8.128 to 8.052	9.525 to 9.500	6.35 <i>0.250</i>	8.306 to 8.230		1.69	External	Hi-Carbon Spring Steel	845	355
# TR-081-095-095-C	8.128 to 8.052	9.525 to 9.500	9.53 <i>0.375</i>	8.306 to 8.230		2.82	External	Hi-Carbon Spring Steel	1246	600
# TR-081-095-127-C	8.128 to 8.052	9.525 to 9.500	12.70 <i>0.500</i>	8.306 to 8.230		3.62	External	Hi-Carbon Spring Steel	1646	756
# TR-085-100-080-C	8.50 to 8.48	9.98 to 9.90	8.00 <i>0.315</i>		9.83 to 9.78	1.58	Internal	Hi-Carbon Spring Steel	335	395

# Indicates item not stocked at time of printing - Please enquire for lead time

E&OE Pricing and all details subject to change without notice - Copyright Miniature Bearings Australia Pty Ltd

MBA Size Listings are a guide to sizes only and must not be solely relied on for critical design information.

## Rings - Tolerance

Part Number	Inner Part OD (d) mm	Outer Part ID (D) mm	Ring Width (B) mm	Inner Part OD (dT) mm For Torque Transfer	Outer Part ID (DT) mm For Torque Transfer	Max. Design Torque N.m	Style	Material	Max. Radial Load N	Max. Design Thrust N
# TR-086-100-050-C	8.58 to 8.53	10.00 to 10.03	5.00	8.71 to 8.66		0.79	External	Hi-Carbon Spring Steel	665	160
			<i>0.197</i>							
# TR-086-100-070-C	8.58 to 8.53	10.00 to 10.03	7.00	8.71 to 8.66		1.36	External	Hi-Carbon Spring Steel	890	270
			<i>0.276</i>							
# TR-095-110-040-C	9.50 to 9.48	10.97 to 10.90	4.00		10.82 to 10.77	0.90	Internal	Hi-Carbon Spring Steel	180	200
			<i>0.157</i>							
# TR-095-110-064-C	9.525 to 9.500	10.998 to 10.922	6.35		10.820 to 10.744	1.69	Internal	Hi-Carbon Spring Steel	845	356
			<i>0.250</i>							
# TR-095-110-080-C	9.525 to 9.500	10.998 to 10.922	7.95		10.820 to 10.744	2.26	Internal	Hi-Carbon Spring Steel	1023	467
			<i>0.313</i>							
# TR-095-110-127-C	9.525 to 9.500	10.998 to 10.922	12.70		10.820 to 10.744	3.95	Internal	Hi-Carbon Spring Steel	1646	823
			<i>0.500</i>							
# TR-095-110-159-C	9.525 to 9.500	10.998 to 10.922	15.88		10.820 to 10.744	4.52	Internal	Hi-Carbon Spring Steel	2091	934
			<i>0.625</i>							
# TR-097-111-095-3	9.703 to 9.627	11.100 to 11.075	9.53	9.881 to 9.804		3.39	External	301 Stainless Steel	1334	622
			<i>0.375</i>							

# Indicates item not stocked at time of printing - Please enquire for lead time

Page 7 of 19

E&OE Pricing and all details subject to change without notice - Copyright Miniature Bearings Australia Pty Ltd

MBA Size Listings are a guide to sizes only and must not be solely relied on for critical design information.

## Rings - Tolerance

Part Number	Inner Part OD (d) mm	Outer Part ID (D) mm	Ring Width (B) mm	Inner Part OD (dT) mm For Torque Transfer	Outer Part ID (DT) mm For Torque Transfer	Max. Design Torque N.m	Style	Material	Max. Radial Load N	Max. Design Thrust N
# TR-111-126-064-3	11.125 to 11.100	12.573 to 12.497	6.35 <i>0.250</i>		12.395 to 12.319	2.26	Internal	301 Stainless Steel	1023	400
# TR-111-126-127-3	11.125 to 11.100	12.573 to 12.497	12.70 <i>0.500</i>		12.395 to 12.319	5.08	Internal	301 Stainless Steel	2091	912
# TR-111-126-159-3	11.125 to 11.100	12.573 to 12.497	15.88 <i>0.625</i>		12.395 to 12.319	5.65	Internal	301 Stainless Steel	2358	1023
# TR-113-127-064-3	11.303 to 11.227	12.700 to 12.675	6.35 <i>0.250</i>	11.481 to 11.405		2.82	External	301 Stainless Steel	1068	444
# TR-113-127-095-3	11.303 to 11.227	12.700 to 12.675	9.53 <i>0.375</i>	11.481 to 11.405		4.52	External	301 Stainless Steel	1557	711
# TR-113-127-127-3	11.303 to 11.227	12.700 to 12.675	12.70 <i>0.500</i>	11.481 to 11.405		5.65	External	301 Stainless Steel	2091	889
# TR-113-127-191-3	11.303 to 11.227	12.700 to 12.675	19.05 <i>0.750</i>	11.481 to 11.405		9.04	External	301 Stainless Steel	3158	142
# TR-127-134-050-3	12.700 to 12.695	13.38 to 13.33	5.00 <i>0.197</i>	-	-	-	Internal (Bearings Only)	301 Stainless Steel	25	-

# Indicates item not stocked at time of printing - Please enquire for lead time

Page 8 of 19

E&OE Pricing and all details subject to change without notice - Copyright Miniature Bearings Australia Pty Ltd

MBA Size Listings are a guide to sizes only and must not be solely relied on for critical design information.



## Rings - Tolerance

Part Number	Inner Part OD (d) mm	Outer Part ID (D) mm	Ring Width (B) mm	Inner Part OD (dT) mm For Torque Transfer	Outer Part ID (DT) mm For Torque Transfer	Max. Design Torque N.m	Style	Material	Max. Radial Load N	Max. Design Thrust N
# TR-127-142-064-3	12.700 to 12.649	14.173 to 14.097	6.35 <i>0.250</i>		13.995 to 13.919	3.39	Internal	301 Stainless Steel	1201	534
# TR-127-142-095-3	12.700 to 12.649	14.173 to 14.097	9.53 <i>0.375</i>		13.995 to 13.919	4.52	Internal	301 Stainless Steel	1824	712
# TR-127-142-127-3	12.700 to 12.649	14.173 to 14.097	12.70 <i>0.500</i>		13.995 to 13.919	6.21	Internal	301 Stainless Steel	2402	979
# TR-127-142-159-3	12.700 to 12.649	14.173 to 14.097	15.88 <i>0.625</i>		13.995 to 13.919	7.91	Internal	301 Stainless Steel	3025	1246
# TR-129-143-095-3	12.903 to 12.827	14.275 to 14.250	9.53 <i>0.375</i>	13.081 to 13.005		5.65	External	301 Stainless Steel	1824	800
# TR-145-159-064-3	14.478 to 14.402	15.875 to 15.850	6.35 <i>0.250</i>	14.656 to 14.580		5.08	External	301 Stainless Steel	1334	644
TR-145-159-095-3	14.478 to 14.402	15.875 to 15.850	9.53 <i>0.375</i>	14.656 to 14.580		7.34	External	301 Stainless Steel	2046	934
# TR-145-159-111-3	14.478 to 14.402	15.875 to 15.850	11.13 <i>0.438</i>	14.656 to 14.580		8.47	External	301 Stainless Steel	2358	1067

# Indicates item not stocked at time of printing - Please enquire for lead time

Page 9 of 19

E&OE Pricing and all details subject to change without notice - Copyright Miniature Bearings Australia Pty Ltd  
MBA Size Listings are a guide to sizes only and must not be solely relied on for critical design information.

## Rings - Tolerance

Part Number	Inner Part OD (d) mm	Outer Part ID (D) mm	Ring Width (B) mm	Inner Part OD (dT) mm For Torque Transfer	Outer Part ID (DT) mm For Torque Transfer	Max. Design Torque N.m	Style	Material	Max. Radial Load N	Max. Design Thrust N
# TR-145-159-127-3	14.478 to 14.402	15.875 to 15.850	12.70 <i>0.500</i>	14.656 to 14.580		9.60	External	301 Stainless Steel	2669	1201
# TR-145-159-159-3	14.478 to 14.402	15.875 to 15.850	15.88 <i>0.625</i>	14.656 to 14.580		12.43	External	301 Stainless Steel	3381	1556
# TR-145-159-222-3	14.478 to 14.402	15.875 to 15.850	22.23 <i>0.875</i>	14.656 to 14.580		17.51	External	301 Stainless Steel	4893	2201
# TR-148-147-080-3	14.800 to 14.795	14.68 to 14.63	8.00 <i>0.315</i>	-	-	-	Internal (Bearings Only)	301 Stainless Steel	45	-
# TR-150-165-060-3	15.00 to 14.95	16.46 to 16.38	6.00 <i>0.236</i>		16.31 to 16.26	3.39	Internal	301 Stainless Steel	1290	450
# TR-159-173-064-3	15.875 to 15.824	17.348 to 17.272	6.35 <i>0.250</i>		17.170 to 17.094	5.08	Internal	301 Stainless Steel	1423	645
# TR-159-173-095-3	15.875 to 15.824	17.348 to 17.272	9.53 <i>0.375</i>		17.170 to 17.094	7.91	Internal	301 Stainless Steel	2135	1001
# TR-159-173-127-3	15.875 to 15.824	17.348 to 17.272	12.70 <i>0.500</i>		17.170 to 17.094	10.17	Internal	301 Stainless Steel	2847	1290

# Indicates item not stocked at time of printing - Please enquire for lead time

Page 10 of 19

E&OE Pricing and all details subject to change without notice - Copyright Miniature Bearings Australia Pty Ltd  
MBA Size Listings are a guide to sizes only and must not be solely relied on for critical design information.

## Rings - Tolerance

Part Number	Inner Part OD (d) mm	Outer Part ID (D) mm	Ring Width (B) mm	Inner Part OD (dT) mm For Torque Transfer	Outer Part ID (DT) mm For Torque Transfer	Max. Design Torque N.m	Style	Material	Max. Radial Load N	Max. Design Thrust N
# TR-159-173-159-3	15.875 to 15.824	17.348 to 17.272	15.88 <i>0.625</i>		17.170 to 17.094	13.56	Internal	301 Stainless Steel	3559	1713
# TR-160-167-050-3	16.000 to 15.995	16.69 to 16.64	5.00 <i>0.197</i>	-	-	-	Internal (Bearings Only)	301 Stainless Steel	35	-
# TR-160-175-050-3	16.00 to 15.95	17.47 to 17.40	5.00 <i>0.197</i>		17.30 to 17.22	3.95	Internal	301 Stainless Steel	1110	495
# TR-160-175-100-3	16.00 to 15.95	17.47 to 17.40	10.00 <i>0.394</i>		17.3 to 17.22	7.91	Internal	301 Stainless Steel	2270	990
TR-171-191-064-3	17.145 to 17.069	19.050 to 18.999	6.35 <i>0.250</i>	17.323 to 17.247		7.34	External	301 Stainless Steel	1957	778
# TR-171-191-095-3	17.145 to 17.069	19.050 to 18.999	9.53 <i>0.375</i>	17.323 to 17.247		11.30	External	301 Stainless Steel	2980	1178
# TR-171-191-127-3	17.145 to 17.069	19.050 to 18.999	12.70 <i>0.500</i>	17.323 to 17.247		14.69	External	301 Stainless Steel	3914	1534
# TR-175-182-080-3	17.500 to 17.495	18.19 to 18.14	8.00 <i>0.315</i>	-	-	-	Internal (Bearings Only)	301 Stainless Steel	50	-

# Indicates item not stocked at time of printing - Please enquire for lead time

Page 11 of 19

E&OE Pricing and all details subject to change without notice - Copyright Miniature Bearings Australia Pty Ltd  
MBA Size Listings are a guide to sizes only and must not be solely relied on for critical design information.

## Rings - Tolerance

Part Number	Inner Part OD (d) mm	Outer Part ID (D) mm	Ring Width (B) mm	Inner Part OD (dT) mm For Torque Transfer	Outer Part ID (DT) mm For Torque Transfer	Max. Design Torque N.m	Style	Material	Max. Radial Load N	Max. Design Thrust N
# TR-190-197-060-3	19.000 to 18.995	19.68 to 19.63	6.00 <i>0.236</i>	-	-	-	Internal (Bearings Only)	301 Stainless Steel	45	-
# TR-190-210-060-3	19.00 to 18.95	20.98 to 20.90	6.00 <i>0.236</i>		20.75 to 20.68	6.78	Internal	301 Stainless Steel	1870	715
# TR-191-210-064-3	19.050 to 18.999	21.031 to 20.955	6.35 <i>0.250</i>		20.803 to 20.726	7.91	Internal	301 Stainless Steel	1957	823
# TR-191-210-127-3	19.050 to 18.999	21.031 to 20.955	12.70 <i>0.500</i>		20.803 to 20.726	15.82	Internal	301 Stainless Steel	3959	1668
# TR-191-210-191-3	19.050 to 18.999	21.031 to 20.955	19.05 <i>0.750</i>		20.803 to 20.726	23.73	Internal	301 Stainless Steel	5783	2491
# TR-191-210-254-3	19.050 to 18.999	21.031 to 20.955	25.40 <i>1.000</i>		20.803 to 20.726	31.64	Internal	301 Stainless Steel	8007	3314
# TR-200-207-080-3	20.000 to 19.995	20.67 to 20.62	8.00 <i>0.315</i>	-	-	-	Internal (Bearings Only)	301 Stainless Steel	65	-
# TR-200-220-080-3	20.00 to 19.95	21.97 to 21.89	8.00 <i>0.315</i>		21.74 to 21.67	11.86	Internal	301 Stainless Steel	2490	1185

# Indicates item not stocked at time of printing - Please enquire for lead time

Page 12 of 19

E&OE Pricing and all details subject to change without notice - Copyright Miniature Bearings Australia Pty Ltd

MBA Size Listings are a guide to sizes only and must not be solely relied on for critical design information.

## Rings - Tolerance

Part Number	Inner Part OD (d) mm	Outer Part ID (D) mm	Ring Width (B) mm	Inner Part OD (dT) mm For Torque Transfer	Outer Part ID (DT) mm For Torque Transfer	Max. Design Torque N.m	Style	Material	Max. Radial Load N	Max. Design Thrust N
# TR-200-220-160-3	20.00 to 19.95	21.97 to 21.89	16.00 <i>0.630</i>		21.74 to 21.67	23.73	Internal	301 Stainless Steel	4895	2770
# TR-200-220-220-3	20.00 to 19.95	21.97 to 21.89	22.00 <i>0.866</i>		21.74 to 21.67	32.20	Internal	301 Stainless Steel	6670	3220
TR-220-227-070-3	22.000 to 21.995	22.66 to 22.61	7.00 <i>0.276</i>	-	-	-	Internal (Bearings Only)	301 Stainless Steel	60	-
# TR-220-227-100-3	22.000 to 21.995	22.66 to 22.61	10.00 <i>0.394</i>	-	-	-	Internal (Bearings Only)	301 Stainless Steel	95	-
TR-220-240-070-3	22.00 to 21.95	23.98 to 23.90	7.00 <i>0.276</i>		23.75 to 23.67	15.25	Internal	301 Stainless Steel	2445	1385
# TR-220-240-100-3	22.00 to 21.95	23.98 to 23.90	10.00 <i>0.394</i>		23.75 to 23.67	21.47	Internal	301 Stainless Steel	3515	1950
# TR-222-242-064-3	22.225 to 22.174	24.206 to 24.130	6.35 <i>0.250</i>		23.978 to 23.901	11.30	Internal	301 Stainless Steel	2580	1023
# TR-222-242-095-3	22.225 to 22.174	24.206 to 24.130	9.53 <i>0.375</i>		23.978 to 23.901	16.95	Internal	301 Stainless Steel	3870	1512

# Indicates item not stocked at time of printing - Please enquire for lead time

Page 13 of 19

E&OE Pricing and all details subject to change without notice - Copyright Miniature Bearings Australia Pty Ltd  
MBA Size Listings are a guide to sizes only and must not be solely relied on for critical design information.

## Rings - Tolerance

Part Number	Inner Part OD (d) mm	Outer Part ID (D) mm	Ring Width (B) mm	Inner Part OD (dT) mm For Torque Transfer	Outer Part ID (DT) mm For Torque Transfer	Max. Design Torque N.m	Style	Material	Max. Radial Load N	Max. Design Thrust N
# TR-222-242-127-3	22.225 to 22.174	24.206 to 24.130	12.70 <i>0.500</i>		23.978 to 23.901	22.60	Internal	301 Stainless Steel	5338	2024
# TR-222-242-191-3	22.225 to 22.174	24.206 to 24.130	19.05 <i>0.750</i>		23.978 to 23.901	32.77	Internal	301 Stainless Steel	7562	2936
# TR-230-237-080-3	23.000 to 22.995	23.70 to 23.65	8.00 <i>0.315</i>	-	-	-	Internal (Bearings Only)	301 Stainless Steel	75	-
# TR-240-247-100-3	24.000 to 23.995	24.66 to 24.61	10.00 <i>0.394</i>	-	-	-	Internal (Bearings Only)	301 Stainless Steel	100	-
# TR-240-259-060-3	24.00 to 23.95	25.93 to 25.88	6.00 <i>0.236</i>		25.76 to 26.65	13.00	Internal	301 Stainless Steel	2315	1085
# TR-240-259-070-3	24.00 to 23.95	25.93 to 25.88	7.00 <i>0.276</i>		25.76 to 26.65	15.25	Internal	301 Stainless Steel	2705	1270
# TR-240-259-080-3	24.00 to 23.95	25.93 to 25.88	8.00 <i>0.315</i>		25.76 to 26.65	17.51	Internal	301 Stainless Steel	3115	1460
# TR-254-273-064-3	25.400 to 25.349	27.305 to 27.305	6.35 <i>0.250</i>		27.153 to 27.076	14.69	Internal	301 Stainless Steel	2847	1157

# Indicates item not stocked at time of printing - Please enquire for lead time

E&OE Pricing and all details subject to change without notice - Copyright Miniature Bearings Australia Pty Ltd

MBA Size Listings are a guide to sizes only and must not be solely relied on for critical design information.

## Rings - Tolerance

Part Number	Inner Part OD (d) mm	Outer Part ID (D) mm	Ring Width (B) mm	Inner Part OD (dT) mm For Torque Transfer	Outer Part ID (DT) mm For Torque Transfer	Max. Design Torque N.m	Style	Material	Max. Radial Load N	Max. Design Thrust N
# TR-254-273-095-3	25.400 to 25.349	27.305 to 27.305	9.53 <i>0.375</i>		27.153 to 27.076	21.47	Internal	301 Stainless Steel	4270	1690
# TR-254-273-127-3	25.400 to 25.349	27.305 to 27.305	12.70 <i>0.500</i>		27.153 to 27.076	29.38	Internal	301 Stainless Steel	5783	2313
# TR-254-273-254-3	25.400 to 25.349	27.305 to 27.305	25.40 <i>1.000</i>		27.153 to 27.076	44.07	Internal	301 Stainless Steel	11565	3470
# TR-260-267-080-3	26.000 to 25.995	26.67 to 26.62	8.00 <i>0.315</i>	-	-	-	Internal (Bearings Only)	301 Stainless Steel	85	-
# TR-260-280-050-3	26.00 to 25.95	27.97 to 27.89	5.00 <i>0.197</i>		27.74 to 27.66	13.56	Internal	301 Stainless Steel	2135	1045
# TR-260-280-080-3	26.00 to 25.95	27.97 to 27.89	8.00 <i>0.315</i>		27.74 to 27.66	21.47	Internal	301 Stainless Steel	3425	1650
# TR-280-287-090-3	28.000 to 27.995	28.68 to 28.63	9.00 <i>0.354</i>	-	-	-	Internal (Bearings Only)	301 Stainless Steel	100	-
# TR-280-300-080-3	28.00 to 27.95	30.00 to 29.90	8.00 <i>0.315</i>		29.74 to 29.67	26.55	Internal	301 Stainless Steel	3135	1985

# Indicates item not stocked at time of printing - Please enquire for lead time

Page 15 of 19

E&OE Pricing and all details subject to change without notice - Copyright Miniature Bearings Australia Pty Ltd  
MBA Size Listings are a guide to sizes only and must not be solely relied on for critical design information.

## Rings - Tolerance

Part Number	Inner Part OD (d) mm	Outer Part ID (D) mm	Ring Width (B) mm	Inner Part OD (dT) mm For Torque Transfer	Outer Part ID (DT) mm For Torque Transfer	Max. Design Torque N.m	Style	Material	Max. Radial Load N	Max. Design Thrust N
# TR-286-306-064-3	28.575 to 28.524	30.556 to 30.455	6.35 <i>0.250</i>		30.277 to 30.175	19.21	Internal	301 Stainless Steel	3203	1334
# TR-286-306-095-3	28.575 to 28.524	30.556 to 30.455	9.53 <i>0.375</i>		30.277 to 30.175	28.25	Internal	301 Stainless Steel	4893	1979
# TR-286-306-127-3	28.575 to 28.524	30.556 to 30.455	12.70 <i>0.500</i>		30.277 to 30.175	37.29	Internal	301 Stainless Steel	6405	2602
# TR-300-307-100-3	30.000 to 29.989	30.68 to 30.63	10.00 <i>0.394</i>	-	-	-	Internal (Bearings Only)	301 Stainless Steel	105	-
# TR-300-320-090-3	30.00 to 29.95	31.98 to 31.9	9.00 <i>0.354</i>		31.75 to 31.67	31.07	Internal	301 Stainless Steel	4360	2070
# TR-300-320-130-3	30.00 to 29.95	31.98 to 31.9	13.00 <i>0.512</i>		31.75 to 31.67	44.07	Internal	301 Stainless Steel	6225	2935
# TR-300-320-160-3	30.00 to 29.95	31.98 to 31.9	16.00 <i>0.630</i>		31.75 to 31.67	49.72	Internal	301 Stainless Steel	1560	3315
# TR-318-337-095-3	31.750 to 31.699	33.731 to 33.630	9.53 <i>0.375</i>		33.452 to 33.350	35.03	Internal	301 Stainless Steel	3025	2202

# Indicates item not stocked at time of printing - Please enquire for lead time

Page 16 of 19

E&OE Pricing and all details subject to change without notice - Copyright Miniature Bearings Australia Pty Ltd

MBA Size Listings are a guide to sizes only and must not be solely relied on for critical design information.



## Rings - Tolerance

Part Number	Inner Part OD (d) mm	Outer Part ID (D) mm	Ring Width (B) mm	Inner Part OD (dT) mm For Torque Transfer	Outer Part ID (DT) mm For Torque Transfer	Max. Design Torque N.m	Style	Material	Max. Radial Load N	Max. Design Thrust N
# TR-318-337-159-3	31.750 to 31.699	33.731 to 33.630	15.88 <i>0.625</i>		33.452 to 33.350	57.63	Internal	301 Stainless Steel	4893	3625
# TR-318-337-222-3	31.750 to 31.699	33.731 to 33.630	22.23 <i>0.875</i>		33.452 to 33.350	81.36	Internal	301 Stainless Steel	7117	5115
# TR-320-327-100-3	32.000 to 31.989	32.66 to 32.61	10.00 <i>0.394</i>	-	-	-	Internal (Bearings Only)	301 Stainless Steel	135	-
# TR-320-340-100-3	32.00 to 31.95	33.98 to 33.88	10.00 <i>0.394</i>		33.71 to 33.60	37.85	Internal	301 Stainless Steel	2980	2365
# TR-349-369-191-3	34.925 to 34.874	36.906 to 36.805	19.05 <i>0.750</i>		36.627 to 36.525	84.75	Internal	301 Stainless Steel	7117	4849
TR-350-357-110-3	35.000 to 34.989	35.69 to 35.64	11.00 <i>0.433</i>	-	-	-	Internal (Bearings Only)	301 Stainless Steel	160	-
# TR-350-370-070-3	35.00 to 34.95	36.98 to 36.88	7.00 <i>0.276</i>		36.70 to 36.60	29.94	Internal	301 Stainless Steel	2315	1710
# TR-350-370-100-3	35.00 to 34.95	36.98 to 36.88	10.00 <i>0.394</i>		36.70 to 36.60	42.94	Internal	301 Stainless Steel	3335	2455

# Indicates item not stocked at time of printing - Please enquire for lead time

E&OE Pricing and all details subject to change without notice - Copyright Miniature Bearings Australia Pty Ltd

MBA Size Listings are a guide to sizes only and must not be solely relied on for critical design information.

## Rings - Tolerance

Part Number	Inner Part OD (d) mm	Outer Part ID (D) mm	Ring Width (B) mm	Inner Part OD (dT) mm For Torque Transfer	Outer Part ID (DT) mm For Torque Transfer	Max. Design Torque N.m	Style	Material	Max. Radial Load N	Max. Design Thrust N
# TR-350-370-110-3	35.00 to 34.95	36.98 to 36.88	11.00 <i>0.433</i>		36.70 to 36.60	47.46	Internal	301 Stainless Steel	3645	2710
# TR-381-401-191-3	38.100 to 38.049	40.081 to 39.980	19.05 <i>0.750</i>		39.802 to 39.700	102.82	Internal	301 Stainless Steel	7117	5405
# TR-400-407-120-3	40.000 to 39.989	40.69 to 40.64	12.00 <i>0.472</i>	-	-	-	Internal (Bearings Only)	301 Stainless Steel	200	-
# TR-400-420-070-3	40.00 to 39.95	41.99 to 41.88	7.00 <i>0.276</i>		41.71 to 41.60	45.76	Internal	301 Stainless Steel	2670	2290
TR-400-420-120-3	40.00 to 39.95	41.99 to 41.88	12.00 <i>0.472</i>		41.71 to 41.60	72.32	Internal	301 Stainless Steel	4450	3615
# TR-400-420-160-3	40.00 to 39.95	41.99 to 41.88	16.00 <i>0.630</i>		41.71 to 41.60	91.53	Internal	301 Stainless Steel	6225	4575
# TR-413-433-095-3	41.275 to 41.224	43.256 to 43.155	9.53 <i>0.375</i>		42.977 to 42.875	61.02	Internal	301 Stainless Steel	3914	2958
# TR-413-433-127-3	41.275 to 41.224	43.256 to 43.155	12.70 <i>0.500</i>		42.977 to 42.875	81.36	Internal	301 Stainless Steel	5338	3937

# Indicates item not stocked at time of printing - Please enquire for lead time

Page 18 of 19

E&OE Pricing and all details subject to change without notice - Copyright Miniature Bearings Australia Pty Ltd  
MBA Size Listings are a guide to sizes only and must not be solely relied on for critical design information.

## Rings - Tolerance

Part Number	Inner Part OD (d) mm	Outer Part ID (D) mm	Ring Width (B) mm	Inner Part OD (dT) mm For Torque Transfer	Outer Part ID (DT) mm For Torque Transfer	Max. Design Torque N.m	Style	Material	Max. Radial Load N	Max. Design Thrust N
# TR-413-433-254-3	41.275 to 41.224	43.256 to 43.155	25.40 <i>1.000</i>		42.977 to 42.875	162.71	Internal	301 Stainless Steel	10231	7873
# TR-420-440-070-3	42.00 to 41.95	43.97 to 43.87	7.00 <i>0.276</i>		43.69 to 43.59	48.59	Internal	301 Stainless Steel	2760	2315
# TR-420-440-130-3	42.00 to 41.95	43.97 to 43.87	13.00 <i>0.512</i>		43.69 to 43.59	79.66	Internal	301 Stainless Steel	5440	3795
# TR-445-464-127-3	44.450 to 44.399	46.431 to 46.330	12.70 <i>0.500</i>		46.152 to 46.050	96.05	Internal	301 Stainless Steel	5338	4315
# TR-445-464-191-3	44.450 to 44.399	46.431 to 46.330	19.05 <i>0.750</i>		46.152 to 46.050	143.50	Internal	301 Stainless Steel	8007	6450
# TR-470-477-140-3	47.000 to 46.989	47.67 to 47.62	14.00 <i>0.551</i>	-	-	-	Internal (Bearings Only)	301 Stainless Steel	290	-
# TR-520-527-150-3	52.000 to 51.987	52.68 to 52.63	15.00 <i>0.591</i>	-	-	-	Internal (Bearings Only)	301 Stainless Steel	335	-

# Indicates item not stocked at time of printing - Please enquire for lead time

Page 19 of 19

E&OE Pricing and all details subject to change without notice - Copyright Miniature Bearings Australia Pty Ltd

MBA Size Listings are a guide to sizes only and must not be solely relied on for critical design information.

DISTRIBUTED BY

Distributed By:

