



Rod Ends - Plastic - Male

10/4/2018

Indicates item not stocked at time of printing - Please enquire for lead time

E&OE Pricing and all details subject to change without notice - Copyright Miniature Bearings Australia Pty Ltd

MBA Size Listings are a guide to sizes only and must not be solely relied on for critical design information.

INFORMATION

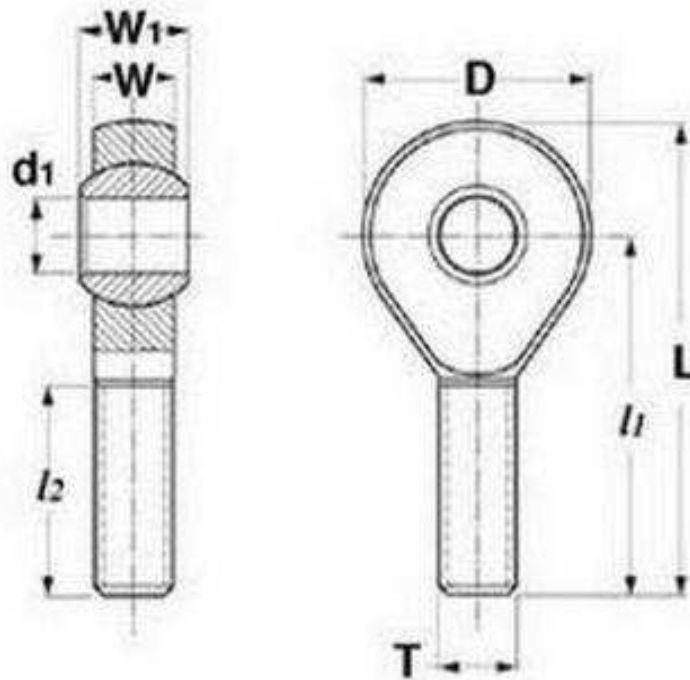
Thermoplastic Body / L280^(R) Polymer Ball. Also known as Heim Joints

Dimensions not shown are available on request.

Indicates item not stocked at time of printing - Please enquire for lead time

E&OE Pricing and all details subject to change without notice - Copyright Miniature Bearings Australia Pty Ltd

MBA Size Listings are a guide to sizes only and must not be solely relied on for critical design information.



Male

Indicates item not stocked at time of printing - Please enquire for lead time

E&OE Pricing and all details subject to change without notice - Copyright Miniature Bearings Australia Pty Ltd

MBA Size Listings are a guide to sizes only and must not be solely relied on for critical design information.

Rod Ends - Plastic - Male

Part Number	Eye Size (d1) mm	Overall Length (L) mm	Thread Size	Thread Length (l2) mm	Head Width (W) mm	Eye Width (W1) mm	Head Diameter (D) mm	Centre Height (l1) mm	Grease Nipple	Max Angle of Pivot Deg
	<i>inches</i>	<i>inches</i>		<i>inches</i>	<i>inches</i>	<i>inches</i>	<i>inches</i>	<i>inches</i>		
# REM-048-R-PP	4.763 <i>0.188</i>	39.70 <i>1.563</i>	10-32 UNF Right	19.05 <i>0.750</i>	5.94 <i>0.234</i>	7.92 <i>0.312</i>	15.88 <i>0.625</i>	31.75 <i>1.250</i>	No	25.00
# REM-048-L-PP	4.763 <i>0.188</i>	39.70 <i>1.563</i>	10-32 UNF Left	19.05 <i>0.750</i>	5.94 <i>0.234</i>	7.92 <i>0.312</i>	15.88 <i>0.625</i>	31.75 <i>1.250</i>	No	25.00
# REM-050-L-PP	5.000 <i>0.197</i>	42.00 <i>1.654</i>	M5x0.8 Left	19.00 <i>0.748</i>	6.00 <i>0.236</i>	8.00 <i>0.315</i>	18.00 <i>0.709</i>	33.00 <i>1.299</i>	No	30.00
REM-050-R-PP	5.000 <i>0.197</i>	42.00 <i>1.654</i>	M5x0.8 Right	19.00 <i>0.748</i>	6.00 <i>0.236</i>	8.00 <i>0.315</i>	18.00 <i>0.709</i>	33.00 <i>1.299</i>	No	30.00
# REM-050-L-PP-N	5.000 <i>0.197</i>	45.50 <i>1.791</i>	M5x0.8 Left	20.00 <i>0.787</i>	4.40 <i>0.173</i>	6.00 <i>0.236</i>	19.00 <i>0.748</i>	36.00 <i>1.417</i>	No	33.00
# REM-050-R-PP-N	5.000 <i>0.197</i>	45.50 <i>1.791</i>	M5x0.8 Right	20.00 <i>0.787</i>	4.40 <i>0.173</i>	6.00 <i>0.236</i>	19.00 <i>0.748</i>	36.00 <i>1.417</i>	No	33.00
# REM-060-R-PP	6.000 <i>0.236</i>	46.00 <i>1.811</i>	M6x1 Right	21.00 <i>0.827</i>	7.00 <i>0.276</i>	9.00 <i>0.354</i>	20.00 <i>0.787</i>	36.00 <i>1.417</i>	No	29.00
# REM-060-L-PP	6.000 <i>0.236</i>	46.00 <i>1.811</i>	M6x1 Left	21.00 <i>0.827</i>	7.00 <i>0.276</i>	9.00 <i>0.354</i>	20.00 <i>0.787</i>	36.00 <i>1.417</i>	No	29.00
# REM-060-R-PP-N	6.000 <i>0.236</i>	46.50 <i>1.831</i>	M6x1 Right	20.00 <i>0.787</i>	4.40 <i>0.173</i>	6.00 <i>0.236</i>	21.00 <i>0.827</i>	36.00 <i>1.417</i>	No	27.00
# REM-060-L-PP-N	6.000 <i>0.236</i>	46.50 <i>1.831</i>	M6x1 Left	20.00 <i>0.787</i>	4.40 <i>0.173</i>	6.00 <i>0.236</i>	21.00 <i>0.827</i>	36.00 <i>1.417</i>	No	27.00

Indicates item not stocked at time of printing - Please enquire for lead time

Page 4 of 11

E&OE Pricing and all details subject to change without notice - Copyright Miniature Bearings Australia Pty Ltd
MBA Size Listings are a guide to sizes only and must not be solely relied on for critical design information.

Rod Ends - Plastic - Male

Part Number	Eye Size (d1) mm	Overall Length (L) mm	Thread Size	Thread Length (l2) mm	Head Width (W) mm	Eye Width (W1) mm	Head Diameter (D) mm	Centre Height (l1) mm	Grease Nipple	Max Angle of Pivot Deg
	<i>inches</i>	<i>inches</i>		<i>inches</i>	<i>inches</i>	<i>inches</i>	<i>inches</i>	<i>inches</i>		
# REM-064-R-PP	6.350	49.20	1/4-28 UNF Right	25.40	6.35	9.27	19.05	39.67	No	25.00
	<i>0.250</i>	<i>1.937</i>		<i>1.000</i>	<i>0.250</i>	<i>0.365</i>	<i>0.750</i>	<i>1.562</i>		
# REM-064-L-PP	6.350	49.20	1/4-28 UNF Left	25.40	6.35	9.27	19.05	39.67	No	25.00
	<i>0.250</i>	<i>1.937</i>		<i>1.000</i>	<i>0.250</i>	<i>0.365</i>	<i>0.750</i>	<i>1.562</i>		
# REM-079-L-PP	7.938	58.75	5/16-24 UNF Left	31.75	7.92	11.10	22.23	47.63	No	25.00
	<i>0.313</i>	<i>2.313</i>		<i>1.250</i>	<i>0.312</i>	<i>0.437</i>	<i>0.875</i>	<i>1.875</i>		
# REM-079-R-PP	7.938	58.75	5/16-24 UNF Right	31.75	7.92	11.10	22.23	47.63	No	25.00
	<i>0.313</i>	<i>2.313</i>		<i>1.250</i>	<i>0.312</i>	<i>0.437</i>	<i>0.875</i>	<i>1.875</i>		
# REM-080-R-PP-N	8.000	53.00	M8x1.25 Right	24.00	6.00	8.00	24.00	41.00	No	24.00
	<i>0.315</i>	<i>2.087</i>		<i>0.945</i>	<i>0.236</i>	<i>0.315</i>	<i>0.945</i>	<i>1.614</i>		
# REM-080-L-PP-N	8.000	53.00	M8x1.25 Left	24.00	6.00	8.00	24.00	41.00	No	24.00
	<i>0.315</i>	<i>2.087</i>		<i>0.945</i>	<i>0.236</i>	<i>0.315</i>	<i>0.945</i>	<i>1.614</i>		
# REM-080-L-PP	8.000	55.00	M8x1.25 Left	25.00	9.00	12.00	24.00	42.00	No	25.00
	<i>0.315</i>	<i>2.165</i>		<i>0.984</i>	<i>0.354</i>	<i>0.472</i>	<i>0.945</i>	<i>1.654</i>		
REM-080-R-PP	8.000	55.00	M8x1.25 Right	25.00	9.00	12.00	24.00	42.00	No	25.00
	<i>0.315</i>	<i>2.165</i>		<i>0.984</i>	<i>0.354</i>	<i>0.472</i>	<i>0.945</i>	<i>1.654</i>		
# REM-095-R-PP	9.525	61.93	3/8-24 UNF Right	31.75	9.19	12.70	25.40	49.23	No	22.00
	<i>0.375</i>	<i>2.438</i>		<i>1.250</i>	<i>0.362</i>	<i>0.500</i>	<i>1.000</i>	<i>1.938</i>		

Indicates item not stocked at time of printing - Please enquire for lead time

Page 5 of 11

E&OE Pricing and all details subject to change without notice - Copyright Miniature Bearings Australia Pty Ltd
MBA Size Listings are a guide to sizes only and must not be solely relied on for critical design information.

Rod Ends - Plastic - Male

Part Number	Eye Size (d1) mm	Overall Length (L) mm	Thread Size	Thread Length (l2) mm	Head Width (W) mm	Eye Width (W1) mm	Head Diameter (D) mm	Centre Height (l1) mm	Grease Nipple	Max Angle of Pivot Deg
	<i>inches</i>	<i>inches</i>		<i>inches</i>	<i>inches</i>	<i>inches</i>	<i>inches</i>	<i>inches</i>		
# REM-095-L-PP	9.525	61.93	3/8-24 UNF Left	31.75	9.19	12.70	25.40	49.23	No	22.00
	<i>0.375</i>	<i>2.438</i>		<i>1.250</i>	<i>0.362</i>	<i>0.500</i>	<i>1.000</i>	<i>1.938</i>		
# REM-100-R-PP-N	10.000	62.00	M10x1.5 Right	27.00	7.00	9.00	29.00	47.00	No	24.00
	<i>0.394</i>	<i>2.441</i>		<i>1.063</i>	<i>0.276</i>	<i>0.354</i>	<i>1.142</i>	<i>1.850</i>		
# REM-100-R-PP-N-F	10.000	62.00	M10x1.25 Right	27.00	7.00	9.00	29.00	47.50	No	24.00
	<i>0.394</i>	<i>2.441</i>		<i>1.063</i>	<i>0.276</i>	<i>0.354</i>	<i>1.142</i>	<i>1.870</i>		
# REM-100-L-PP-N-F	10.000	62.00	M10x1.25 Left	27.00	7.00	9.00	29.00	47.50	No	24.00
	<i>0.394</i>	<i>2.441</i>		<i>1.063</i>	<i>0.276</i>	<i>0.354</i>	<i>1.142</i>	<i>1.870</i>		
# REM-100-L-PP-N	10.000	62.00	M10x1.5 Left	27.00	7.00	9.00	29.00	47.00	No	24.00
	<i>0.394</i>	<i>2.441</i>		<i>1.063</i>	<i>0.276</i>	<i>0.354</i>	<i>1.142</i>	<i>1.850</i>		
REM-100-R-PP	10.000	63.00	M10x1.5 Right	28.00	10.50	14.00	30.00	48.00	No	25.00
	<i>0.394</i>	<i>2.480</i>		<i>1.102</i>	<i>0.413</i>	<i>0.551</i>	<i>1.181</i>	<i>1.890</i>		
# REM-100-R-PP-F	10.000	63.00	M10x1.25 Right	28.00	10.50	14.00	30.00	48.00	No	25.00
	<i>0.394</i>	<i>2.480</i>		<i>1.102</i>	<i>0.413</i>	<i>0.551</i>	<i>1.181</i>	<i>1.890</i>		
# REM-100-L-PP-F	10.000	63.00	M10x1.25 Left	28.00	10.50	14.00	30.00	48.00	No	25.00
	<i>0.394</i>	<i>2.480</i>		<i>1.102</i>	<i>0.413</i>	<i>0.551</i>	<i>1.181</i>	<i>1.890</i>		
# REM-100-L-PP	10.000	63.00	M10x1.5 Left	28.00	10.50	14.00	30.00	48.00	No	25.00
	<i>0.394</i>	<i>2.480</i>		<i>1.102</i>	<i>0.413</i>	<i>0.551</i>	<i>1.181</i>	<i>1.890</i>		
# REM-111-R-PP	11.113	68.28	7/16-20 UNF Right	34.93	10.31	14.27	28.58	53.98	No	22.00
	<i>0.438</i>	<i>2.688</i>		<i>1.375</i>	<i>0.406</i>	<i>0.562</i>	<i>1.125</i>	<i>2.125</i>		

Indicates item not stocked at time of printing - Please enquire for lead time

Page 6 of 11

E&OE Pricing and all details subject to change without notice - Copyright Miniature Bearings Australia Pty Ltd
MBA Size Listings are a guide to sizes only and must not be solely relied on for critical design information.

Rod Ends - Plastic - Male

Part Number	Eye Size (d1) mm	Overall Length (L) mm	Thread Size	Thread Length (l2) mm	Head Width (W) mm	Eye Width (W1) mm	Head Diameter (D) mm	Centre Height (l1) mm	Grease Nipple	Max Angle of Pivot Deg
	<i>inches</i>	<i>inches</i>		<i>inches</i>	<i>inches</i>	<i>inches</i>	<i>inches</i>	<i>inches</i>		
# REM-111-L-PP	11.113	68.28	7/16-20 UNF Left	34.93	10.31	14.27	28.58	53.98	No	22.00
	<i>0.438</i>	<i>2.688</i>		<i>1.375</i>	<i>0.406</i>	<i>0.562</i>	<i>1.125</i>	<i>2.125</i>		
# REM-120-R-PP-N	12.000	71.00	M12x1.75 Right	29.00	8.00	10.00	34.00	54.00	No	21.00
	<i>0.472</i>	<i>2.795</i>		<i>1.142</i>	<i>0.315</i>	<i>0.394</i>	<i>1.339</i>	<i>2.126</i>		
# REM-120-L-PP	12.000	71.00	M12x1.75 Left	32.00	12.00	16.00	34.00	54.00	No	25.00
	<i>0.472</i>	<i>2.795</i>		<i>1.260</i>	<i>0.472</i>	<i>0.630</i>	<i>1.339</i>	<i>2.126</i>		
# REM-120-L-PP-F	12.000	71.00	M12x1.25 Left	32.00	12.00	16.00	34.00	54.00	No	25.00
	<i>0.472</i>	<i>2.795</i>		<i>1.260</i>	<i>0.472</i>	<i>0.630</i>	<i>1.339</i>	<i>2.126</i>		
# REM-120-L-PP-N	12.000	71.00	M12x1.75 Left	29.00	8.00	10.00	34.00	54.00	No	21.00
	<i>0.472</i>	<i>2.795</i>		<i>1.142</i>	<i>0.315</i>	<i>0.394</i>	<i>1.339</i>	<i>2.126</i>		
# REM-120-L-PP-N-F	12.000	71.00	M12x1.25 Left	29.00	8.00	10.00	34.00	54.00	No	21.00
	<i>0.472</i>	<i>2.795</i>		<i>1.142</i>	<i>0.315</i>	<i>0.394</i>	<i>1.339</i>	<i>2.126</i>		
# REM-120-R-PP	12.000	71.00	M12x1.75 Right	32.00	12.00	16.00	34.00	54.00	No	25.00
	<i>0.472</i>	<i>2.795</i>		<i>1.260</i>	<i>0.472</i>	<i>0.630</i>	<i>1.339</i>	<i>2.126</i>		
# REM-120-R-PP-N-F	12.000	71.00	M12x1.25 Right	29.00	8.00	10.00	34.00	54.00	No	21.00
	<i>0.472</i>	<i>2.795</i>		<i>1.142</i>	<i>0.315</i>	<i>0.394</i>	<i>1.339</i>	<i>2.126</i>		
# REM-120-R-PP-F	12.000	71.00	M12x1.25 Right	32.00	12.00	16.00	34.00	54.00	No	25.00
	<i>0.472</i>	<i>2.795</i>		<i>1.260</i>	<i>0.472</i>	<i>0.630</i>	<i>1.339</i>	<i>2.126</i>		
# REM-127-L-PP	12.700	78.59	1/2-20 UNF Left	38.10	11.51	15.88	33.32	61.67	No	22.00
	<i>0.500</i>	<i>3.094</i>		<i>1.500</i>	<i>0.453</i>	<i>0.625</i>	<i>1.312</i>	<i>2.428</i>		

Indicates item not stocked at time of printing - Please enquire for lead time

Page 7 of 11

E&OE Pricing and all details subject to change without notice - Copyright Miniature Bearings Australia Pty Ltd

MBA Size Listings are a guide to sizes only and must not be solely relied on for critical design information.

Rod Ends - Plastic - Male

Part Number	Eye Size (d1) mm	Overall Length (L) mm	Thread Size	Thread Length (l2) mm	Head Width (W) mm	Eye Width (W1) mm	Head Diameter (D) mm	Centre Height (l1) mm	Grease Nipple	Max Angle of Pivot Deg
	<i>inches</i>	<i>inches</i>		<i>inches</i>	<i>inches</i>	<i>inches</i>	<i>inches</i>	<i>inches</i>		
# REM-127-R-PP	12.700	78.59	1/2-20 UNF Right	38.10	11.51	15.88	33.32	61.67	No	22.00
	<i>0.500</i>	<i>3.094</i>		<i>1.500</i>	<i>0.453</i>	<i>0.625</i>	<i>1.312</i>	<i>2.428</i>		
# REM-140-L-PP	14.000	79.00	M14x2 Left	36.00	13.50	19.00	38.00	61.00	No	25.00
	<i>0.551</i>	<i>3.110</i>		<i>1.417</i>	<i>0.531</i>	<i>0.748</i>	<i>1.496</i>	<i>2.402</i>		
# REM-140-R-PP	14.000	79.00	M14x2 Right	36.00	13.50	19.00	38.00	61.00	No	25.00
	<i>0.551</i>	<i>3.110</i>		<i>1.417</i>	<i>0.531</i>	<i>0.748</i>	<i>1.496</i>	<i>2.402</i>		
# REM-150-L-PP-140	15.000	83.00	M14x2 Left	34.00	10.00	12.00	40.00	63.00	No	21.00
	<i>0.591</i>	<i>3.268</i>		<i>1.339</i>	<i>0.394</i>	<i>0.472</i>	<i>1.575</i>	<i>2.480</i>		
# REM-150-R-PP-140	15.000	83.00	M14x2 Right	34.00	10.00	12.00	40.00	63.00	No	21.00
	<i>0.591</i>	<i>3.268</i>		<i>1.339</i>	<i>0.394</i>	<i>0.472</i>	<i>1.575</i>	<i>2.480</i>		
# REM-159-R-PP	15.875	85.73	5/8-18 UNF Right	41.28	12.29	19.05	38.10	66.68	No	22.00
	<i>0.625</i>	<i>3.375</i>		<i>1.625</i>	<i>0.484</i>	<i>0.750</i>	<i>1.500</i>	<i>2.625</i>		
# REM-159-L-PP	15.875	85.73	5/8-18 UNF Left	41.28	12.29	19.05	38.10	66.68	No	22.00
	<i>0.625</i>	<i>3.375</i>		<i>1.625</i>	<i>0.484</i>	<i>0.750</i>	<i>1.500</i>	<i>2.625</i>		
REM-160-R-PP-F	16.000	88.00	M16x1.5 Right	37.00	15.00	21.00	42.00	66.00	No	23.00
	<i>0.630</i>	<i>3.465</i>		<i>1.457</i>	<i>0.591</i>	<i>0.827</i>	<i>1.654</i>	<i>2.598</i>		
# REM-160-R-PP	16.000	88.00	M16x2 Right	37.00	15.00	21.00	42.00	66.00	No	23.00
	<i>0.630</i>	<i>3.465</i>		<i>1.457</i>	<i>0.591</i>	<i>0.827</i>	<i>1.654</i>	<i>2.598</i>		

Indicates item not stocked at time of printing - Please enquire for lead time

Page 8 of 11

E&OE Pricing and all details subject to change without notice - Copyright Miniature Bearings Australia Pty Ltd
MBA Size Listings are a guide to sizes only and must not be solely relied on for critical design information.

Rod Ends - Plastic - Male

Part Number	Eye Size (d1) mm	Overall Length (L) mm	Thread Size	Thread Length (l2) mm	Head Width (W) mm	Eye Width (W1) mm	Head Diameter (D) mm	Centre Height (l1) mm	Grease Nipple	Max Angle of Pivot Deg
	<i>inches</i>	<i>inches</i>		<i>inches</i>	<i>inches</i>	<i>inches</i>	<i>inches</i>	<i>inches</i>		
# REM-160-L-PP	16.000 <i>0.630</i>	88.00 <i>3.465</i>	M16x2 Left	37.00 <i>1.457</i>	15.00 <i>0.591</i>	21.00 <i>0.827</i>	42.00 <i>1.654</i>	66.00 <i>2.598</i>	No	23.00
# REM-160-L-PP-F	16.000 <i>0.630</i>	88.00 <i>3.465</i>	M16x1.5 Left	37.00 <i>1.457</i>	15.00 <i>0.591</i>	21.00 <i>0.827</i>	42.00 <i>1.654</i>	66.00 <i>2.598</i>	No	23.00
# REM-170-L-PP-160	17.000 <i>0.669</i>	92.00 <i>3.622</i>	M16x2 Left	37.00 <i>1.457</i>	11.00 <i>0.433</i>	14.00 <i>0.551</i>	46.00 <i>1.811</i>	69.00 <i>2.717</i>	No	21.00
# REM-170-L-PP-160F	17.000 <i>0.669</i>	92.00 <i>3.622</i>	M16x1.5 Left	37.00 <i>1.457</i>	11.00 <i>0.433</i>	14.00 <i>0.551</i>	46.00 <i>1.811</i>	69.00 <i>2.717</i>	No	18.00
# REM-170-R-PP-160	17.000 <i>0.669</i>	92.00 <i>3.622</i>	M16x2 Right	37.00 <i>1.457</i>	11.00 <i>0.433</i>	14.00 <i>0.551</i>	46.00 <i>1.811</i>	69.00 <i>2.717</i>	No	21.00
# REM-170-R-PP-160F	17.000 <i>0.669</i>	92.00 <i>3.622</i>	M16x1.5 Right	37.00 <i>1.457</i>	11.00 <i>0.433</i>	14.00 <i>0.551</i>	46.00 <i>1.811</i>	69.00 <i>2.717</i>	No	18.00
# REM-180-L-PP-F	18.000 <i>0.709</i>	96.00 <i>3.780</i>	M18x1.5 Left	41.00 <i>1.614</i>	16.50 <i>0.650</i>	23.00 <i>0.906</i>	46.00 <i>1.811</i>	72.00 <i>2.835</i>	No	23.00
# REM-180-R-PP-F	18.000 <i>0.709</i>	96.00 <i>3.780</i>	M18x1.5 Right	41.00 <i>1.614</i>	16.50 <i>0.650</i>	23.00 <i>0.906</i>	46.00 <i>1.811</i>	72.00 <i>2.835</i>	No	23.00
# REM-191-R-PP	19.050 <i>0.750</i>	95.25 <i>3.750</i>	3/4-16 UNF Right	44.45 <i>1.750</i>	15.06 <i>0.593</i>	22.23 <i>0.875</i>	44.45 <i>1.750</i>	73.03 <i>2.875</i>	No	22.00
# REM-191-L-PP	19.050 <i>0.750</i>	95.25 <i>3.750</i>	3/4-16 UNF Left	44.45 <i>1.750</i>	15.06 <i>0.593</i>	22.23 <i>0.875</i>	44.45 <i>1.750</i>	73.03 <i>2.875</i>	No	22.00

Indicates item not stocked at time of printing - Please enquire for lead time

Page 9 of 11

E&OE Pricing and all details subject to change without notice - Copyright Miniature Bearings Australia Pty Ltd
MBA Size Listings are a guide to sizes only and must not be solely relied on for critical design information.

Rod Ends - Plastic - Male

Part Number	Eye Size (d1) mm	Overall Length (L) mm	Thread Size	Thread Length (l2) mm	Head Width (W) mm	Eye Width (W1) mm	Head Diameter (D) mm	Centre Height (l1) mm	Grease Nipple	Max Angle of Pivot Deg
	<i>inches</i>	<i>inches</i>		<i>inches</i>	<i>inches</i>	<i>inches</i>	<i>inches</i>	<i>inches</i>		
REM-200-L-PP-F	20.000 <i>0.787</i>	104.00 <i>4.094</i>	M20x1.5 Left	45.00 <i>1.772</i>	18.00 <i>0.709</i>	25.00 <i>0.984</i>	50.00 <i>1.969</i>	78.00 <i>3.071</i>	No	23.00
REM-200-R-PP-F	20.000 <i>0.787</i>	104.00 <i>4.094</i>	M20x1.5 Right	45.00 <i>1.772</i>	18.00 <i>0.709</i>	25.00 <i>0.984</i>	50.00 <i>1.969</i>	78.00 <i>3.071</i>	No	23.00
# REM-200-L-PP	20.000 <i>0.787</i>	106.50 <i>4.193</i>	M20x2.5 Left	43.00 <i>1.693</i>	13.00 <i>0.512</i>	16.00 <i>0.630</i>	53.00 <i>2.087</i>	80.00 <i>3.150</i>	No	16.00
# REM-200-R-PP	20.000 <i>0.787</i>	106.50 <i>4.193</i>	M20x2.5 Right	43.00 <i>1.693</i>	13.00 <i>0.512</i>	16.00 <i>0.630</i>	53.00 <i>2.087</i>	80.00 <i>3.150</i>	No	16.00
# REM-220-R-PP-F	22.000 <i>0.866</i>	112.00 <i>4.409</i>	M22x1.5 Right	48.00 <i>1.890</i>	20.00 <i>0.787</i>	28.00 <i>1.102</i>	56.00 <i>2.205</i>	84.00 <i>3.307</i>	No	22.00
# REM-220-L-PP-F	22.000 <i>0.866</i>	112.00 <i>4.409</i>	M22x1.5 Left	48.00 <i>1.890</i>	20.00 <i>0.787</i>	28.00 <i>1.102</i>	56.00 <i>2.205</i>	84.00 <i>3.307</i>	No	22.00
# REM-250-R-PP-240	25.000 <i>0.984</i>	125.00 <i>4.921</i>	M24x2 Right	55.00 <i>2.165</i>	22.00 <i>0.866</i>	31.00 <i>1.220</i>	60.00 <i>2.362</i>	94.00 <i>3.701</i>	No	22.00
# REM-250-L-PP-240	25.000 <i>0.984</i>	125.00 <i>4.921</i>	M24x2 Left	55.00 <i>2.165</i>	22.00 <i>0.866</i>	31.00 <i>1.220</i>	60.00 <i>2.362</i>	94.00 <i>3.701</i>	No	22.00
# REM-250-R-PP	25.000 <i>0.984</i>	129.00 <i>5.079</i>	M25x2 Right	53.00 <i>2.087</i>	17.00 <i>0.669</i>	20.00 <i>0.787</i>	64.00 <i>2.520</i>	94.00 <i>3.701</i>	No	16.00
# REM-250-L-PP	25.000 <i>0.984</i>	129.00 <i>5.079</i>	M25x2 Left	53.00 <i>2.087</i>	17.00 <i>0.669</i>	20.00 <i>0.787</i>	64.00 <i>2.520</i>	94.00 <i>3.701</i>	No	16.00

Indicates item not stocked at time of printing - Please enquire for lead time

Page 10 of 11

E&OE Pricing and all details subject to change without notice - Copyright Miniature Bearings Australia Pty Ltd
MBA Size Listings are a guide to sizes only and must not be solely relied on for critical design information.

Rod Ends - Plastic - Male

Part Number	Eye Size (d1) mm	Overall Length (L) mm	Thread Size	Thread Length (l2) mm	Head Width (W) mm	Eye Width (W1) mm	Head Diameter (D) mm	Centre Height (l1) mm	Grease Nipple	Max Angle of Pivot Deg
	<i>inches</i>	<i>inches</i>		<i>inches</i>	<i>inches</i>	<i>inches</i>	<i>inches</i>	<i>inches</i>		
# REM-254-L-PP	25.400 <i>1.000</i>	139.70 <i>5.500</i>	1-12 UNF Left	59.69 <i>2.350</i>	25.40 <i>1.000</i>	34.93 <i>1.375</i>	69.85 <i>2.750</i>	104.78 <i>4.125</i>	No	20.00
# REM-254-R-PP	25.400 <i>1.000</i>	139.70 <i>5.500</i>	1-12 UNF Right	59.69 <i>2.350</i>	25.40 <i>1.000</i>	34.93 <i>1.375</i>	69.85 <i>2.750</i>	104.78 <i>4.125</i>	No	20.00
# REM-300-L-PP	30.000 <i>1.181</i>	147.00 <i>5.787</i>	M30x3.5 Left	66.00 <i>2.598</i>	25.00 <i>0.984</i>	37.00 <i>1.457</i>	70.00 <i>2.756</i>	110.00 <i>4.331</i>	No	22.00
# REM-300-R-PP	30.000 <i>1.181</i>	147.00 <i>5.787</i>	M30x3.5 Right	66.00 <i>2.598</i>	25.00 <i>0.984</i>	37.00 <i>1.457</i>	70.00 <i>2.756</i>	110.00 <i>4.331</i>	No	22.00
# REM-300-R-PP-N	30.000 <i>1.181</i>	149.50 <i>5.886</i>	M30x3.5 Right	65.00 <i>2.559</i>	19.00 <i>0.748</i>	22.00 <i>0.866</i>	73.00 <i>2.874</i>	110.00 <i>4.331</i>	No	13.00
# REM-300-L-PP-N	30.000 <i>1.181</i>	149.50 <i>5.886</i>	M30x3.5 Left	65.00 <i>2.559</i>	19.00 <i>0.748</i>	22.00 <i>0.866</i>	73.00 <i>2.874</i>	110.00 <i>4.331</i>	No	13.00

Indicates item not stocked at time of printing - Please enquire for lead time

Page 11 of 11

E&OE Pricing and all details subject to change without notice - Copyright Miniature Bearings Australia Pty Ltd
MBA Size Listings are a guide to sizes only and must not be solely relied on for critical design information.

DISTRIBUTED BY

Distributed By:

