



Rod Ends - Stainless Steel 303 Housing and Ball - Nylon Raceway - Male

10/4/2018

Indicates item not stocked at time of printing - Please enquire for lead time

E&OE Pricing and all details subject to change without notice - Copyright Miniature Bearings Australia Pty Ltd

MBA Size Listings are a guide to sizes only and must not be solely relied on for critical design information.

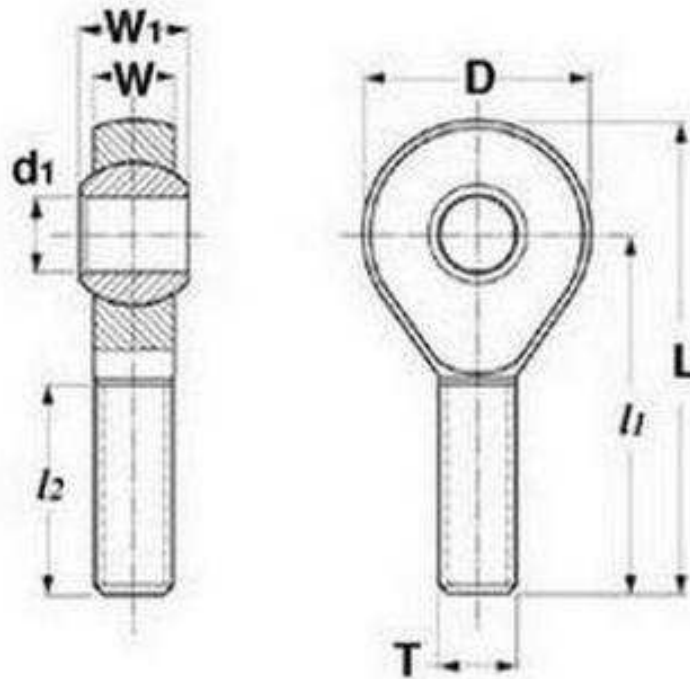
INFORMATION

Also known as Heim Joints

Indicates item not stocked at time of printing - Please enquire for lead time

E&OE Pricing and all details subject to change without notice - Copyright Miniature Bearings Australia Pty Ltd

MBA Size Listings are a guide to sizes only and must not be solely relied on for critical design information.



Male

Indicates item not stocked at time of printing - Please enquire for lead time

E&OE Pricing and all details subject to change without notice - Copyright Miniature Bearings Australia Pty Ltd

MBA Size Listings are a guide to sizes only and must not be solely relied on for critical design information.

Rod Ends - Stainless Steel 303 Housing and Ball - Nylon Raceway - Male

Part Number	Eye Size (d1) mm	Overall Length (L) mm	Thread Size	Thread Length (l2) mm	Head Width (W) mm	Eye Width (W1) mm	Head Diameter (D) mm	Centre Height (l1) mm	Grease Nipple	Max Angle of Pivot Deg
	<i>inches</i>	<i>inches</i>		<i>inches</i>	<i>inches</i>	<i>inches</i>	<i>inches</i>	<i>inches</i>		
# REM-048-R-SN	4.826	-	10-32 UNF Right	19.05	6.35	7.93	15.88	31.75	No	-
	<i>0.190</i>			<i>0.750</i>	<i>0.250</i>	<i>0.312</i>	<i>0.625</i>	<i>1.250</i>		
# REM-064-R-SN	6.350	-	1/4-28 UNF Right	25.40	7.14	9.53	19.05	39.68	No	-
	<i>0.250</i>			<i>1.000</i>	<i>0.281</i>	<i>0.375</i>	<i>0.750</i>	<i>1.562</i>		
# REM-079-R-SN	7.938	-	5/16-24 UNF Right	31.75	8.74	11.10	22.23	47.63	No	-
	<i>0.313</i>			<i>1.250</i>	<i>0.344</i>	<i>0.437</i>	<i>0.875</i>	<i>1.875</i>		
# REM-095-R-SN	9.525	-	3/8-24 UNF Right	31.75	10.31	12.70	25.40	49.20	No	-
	<i>0.375</i>			<i>1.250</i>	<i>0.406</i>	<i>0.500</i>	<i>1.000</i>	<i>1.937</i>		
# REM-111-R-SN	11.113	-	7/16-20 UNF Right	33.33	11.10	14.28	28.58	53.98	No	-
	<i>0.438</i>			<i>1.312</i>	<i>0.437</i>	<i>0.562</i>	<i>1.125</i>	<i>2.125</i>		
# REM-127-R-SN	12.700	-	1/2-20 UNF Right	38.10	12.70	15.88	33.33	61.90	No	-
	<i>0.500</i>			<i>1.500</i>	<i>0.500</i>	<i>0.625</i>	<i>1.312</i>	<i>2.437</i>		
# REM-159-R-SN	15.875	-	5/8-18 UNF Right	41.28	14.28	19.05	38.10	66.68	No	-
	<i>0.625</i>			<i>1.625</i>	<i>0.562</i>	<i>0.750</i>	<i>1.500</i>	<i>2.625</i>		
# REM-191-R-SN	19.050	-	3/4-16 UNF Right	44.45	17.45	22.23	44.45	73.03	No	-
	<i>0.750</i>			<i>1.750</i>	<i>0.687</i>	<i>0.875</i>	<i>1.750</i>	<i>2.875</i>		

Indicates item not stocked at time of printing - Please enquire for lead time

Page 4 of 4

E&OE Pricing and all details subject to change without notice - Copyright Miniature Bearings Australia Pty Ltd
MBA Size Listings are a guide to sizes only and must not be solely relied on for critical design information.

DISTRIBUTED BY

Distributed By:

