



Rod Ends - Steel - PTFE Lined - Tight Fit - Male

10/4/2018

Indicates item not stocked at time of printing - Please enquire for lead time

E&OE Pricing and all details subject to change without notice - Copyright Miniature Bearings Australia Pty Ltd

MBA Size Listings are a guide to sizes only and must not be solely relied on for critical design information.

Page 1 of 12

INFORMATION

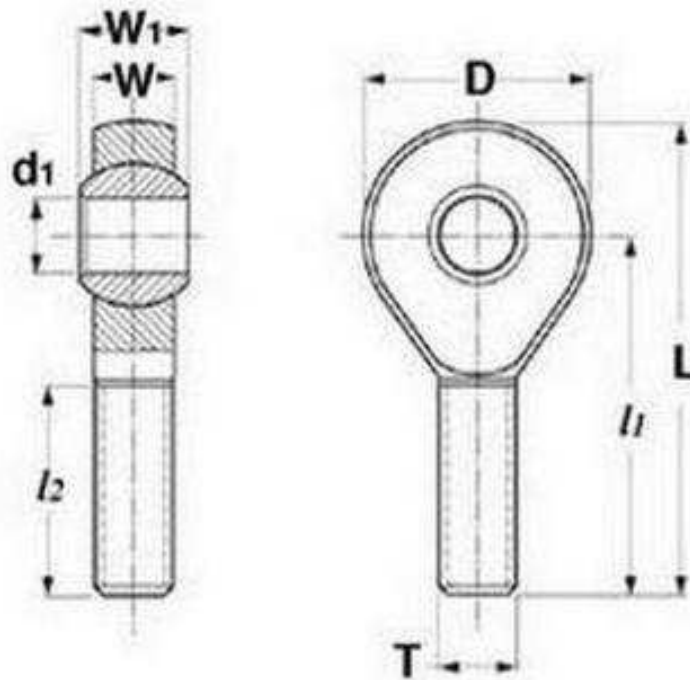
Imperial and Metric. Tight fit (Minimal ball clearance) / Carbon Steel. Also known as Heim Joints

Dimensions not shown are available on request.

Indicates item not stocked at time of printing - Please enquire for lead time

E&OE Pricing and all details subject to change without notice - Copyright Miniature Bearings Australia Pty Ltd

MBA Size Listings are a guide to sizes only and must not be solely relied on for critical design information.



Male

Indicates item not stocked at time of printing - Please enquire for lead time

E&OE Pricing and all details subject to change without notice - Copyright Miniature Bearings Australia Pty Ltd

MBA Size Listings are a guide to sizes only and must not be solely relied on for critical design information.

Rod Ends - Steel - PTFE Lined - Tight Fit - Male

Part Number	Eye Size (d1) mm	Overall Length (L) mm	Thread Size	Thread Length (l2) mm	Head Width (W) mm	Eye Width (W1) mm	Head Diameter (D) mm	Centre Height (l1) mm	Grease Nipple	Max Angle of Pivot Deg
	<i>inches</i>	<i>inches</i>		<i>inches</i>	<i>inches</i>	<i>inches</i>	<i>inches</i>	<i>inches</i>		
# REM-030-R-CT	3.000 <i>0.118</i>	33.00 <i>1.299</i>	M3x0.5 Right	15.00 <i>0.591</i>	5.00 <i>0.197</i>	6.00 <i>0.236</i>	12.00 <i>0.472</i>	27.00 <i>1.063</i>	-	-
REM-030-R-CT-N	3.000 <i>0.118</i>	33.00 <i>1.299</i>	M3x0.5 Right	15.00 <i>0.591</i>	4.50 <i>0.177</i>	6.00 <i>0.236</i>	12.00 <i>0.472</i>	27.00 <i>1.063</i>	No	-
# REM-030-L-CT	3.000 <i>0.118</i>	33.00 <i>1.299</i>	M3x0.5 Left	15.00 <i>0.591</i>	5.00 <i>0.197</i>	6.00 <i>0.236</i>	12.00 <i>0.472</i>	27.00 <i>1.063</i>	-	-
# REM-048-L-CT	4.826 <i>0.190</i>	39.70 <i>1.563</i>	10-32 UNF Left	19.05 <i>0.750</i>	6.35 <i>0.250</i>	7.92 <i>0.312</i>	15.88 <i>0.625</i>	31.75 <i>1.250</i>	-	-
# REM-048-R-CT	4.826 <i>0.190</i>	39.70 <i>1.563</i>	10-32 UNF Right	19.05 <i>0.750</i>	6.35 <i>0.250</i>	7.92 <i>0.312</i>	15.88 <i>0.625</i>	31.75 <i>1.250</i>	-	-
# REM-050-L-CT	5.000 <i>0.197</i>	41.00 <i>1.614</i>	M5x0.8 Left	20.00 <i>0.787</i>	7.00 <i>0.276</i>	8.00 <i>0.315</i>	16.00 <i>0.630</i>	33.00 <i>1.299</i>	-	-
# REM-050-R-CT-A	5.000 <i>0.197</i>	41.00 <i>1.614</i>	M5x0.8 Right	20.00 <i>0.787</i>	6.00 <i>0.236</i>	8.00 <i>0.315</i>	16.00 <i>0.630</i>	33.00 <i>1.299</i>	No	-
REM-050-R-CT-N	5.000 <i>0.197</i>	41.00 <i>1.614</i>	M5x0.8 Right	20.00 <i>0.787</i>	7.00 <i>0.276</i>	8.00 <i>0.315</i>	16.00 <i>0.630</i>	33.00 <i>1.299</i>	-	-
# REM-060-L-CT-N	6.000 <i>0.236</i>	-	M6x1 Left	22.00 <i>0.866</i>	4.00 <i>0.157</i>	6.00 <i>0.236</i>	20.00 <i>0.787</i>	36.00 <i>1.417</i>	No	-
# REM-060-R-CT-N	6.000 <i>0.236</i>	-	M6x1 Right	22.00 <i>0.866</i>	4.00 <i>0.157</i>	6.00 <i>0.236</i>	20.00 <i>0.787</i>	36.00 <i>1.417</i>	No	-

Indicates item not stocked at time of printing - Please enquire for lead time

Page 4 of 12

E&OE Pricing and all details subject to change without notice - Copyright Miniature Bearings Australia Pty Ltd
MBA Size Listings are a guide to sizes only and must not be solely relied on for critical design information.

Rod Ends - Steel - PTFE Lined - Tight Fit - Male

Part Number	Eye Size (d1) mm	Overall Length (L) mm	Thread Size	Thread Length (l2) mm	Head Width (W) mm	Eye Width (W1) mm	Head Diameter (D) mm	Centre Height (l1) mm	Grease Nipple	Max Angle of Pivot Deg
	<i>inches</i>	<i>inches</i>		<i>inches</i>	<i>inches</i>	<i>inches</i>	<i>inches</i>	<i>inches</i>		
# REM-060-R-CT-B	6.000 <i>0.236</i>	45.00 <i>1.772</i>	M6x1 Right	22.00 <i>0.866</i>	7.00 <i>0.276</i>	9.00 <i>0.354</i>	18.00 <i>0.709</i>	36.00 <i>1.417</i>	-	-
# REM-060-L-CT-A	6.000 <i>0.236</i>	45.00 <i>1.772</i>	M6x1 Left	22.00 <i>0.866</i>	7.00 <i>0.276</i>	9.00 <i>0.354</i>	18.00 <i>0.709</i>	36.00 <i>1.417</i>	-	-
# REM-060-R-CT-A	6.000 <i>0.236</i>	45.00 <i>1.772</i>	M6x1 Right	22.00 <i>0.866</i>	6.75 <i>0.266</i>	9.00 <i>0.354</i>	18.00 <i>0.709</i>	36.00 <i>1.417</i>	No	-
# REM-064-L-CT	6.350 <i>0.250</i>	49.20 <i>1.937</i>	1/4-28 UNF Left	25.40 <i>1.000</i>	7.14 <i>0.281</i>	9.53 <i>0.375</i>	19.05 <i>0.750</i>	39.67 <i>1.562</i>	-	-
# REM-064-R-CT	6.350 <i>0.250</i>	49.20 <i>1.937</i>	1/4-28 UNF Right	25.40 <i>1.000</i>	7.14 <i>0.281</i>	9.53 <i>0.375</i>	19.05 <i>0.750</i>	39.67 <i>1.562</i>	-	-
# REM-079-L-CT	7.938 <i>0.313</i>	58.72 <i>2.312</i>	5/16-24 UNF Left	31.75 <i>1.250</i>	8.74 <i>0.344</i>	11.10 <i>0.437</i>	22.23 <i>0.875</i>	47.63 <i>1.875</i>	-	-
# REM-079-R-CT	7.938 <i>0.313</i>	58.72 <i>2.312</i>	5/16-24 UNF Right	31.75 <i>1.250</i>	8.74 <i>0.344</i>	11.10 <i>0.437</i>	22.23 <i>0.875</i>	47.63 <i>1.875</i>	-	-
# REM-080-L-CT-N	8.000 <i>0.315</i>	-	M8x1.25 Left	25.00 <i>0.984</i>	5.00 <i>0.197</i>	8.00 <i>0.315</i>	23.00 <i>0.906</i>	42.00 <i>1.654</i>	No	-
# REM-080-R-CT-N	8.000 <i>0.315</i>	-	M8x1.25 Right	25.00 <i>0.984</i>	5.00 <i>0.197</i>	8.00 <i>0.315</i>	23.00 <i>0.906</i>	42.00 <i>1.654</i>	No	-

Indicates item not stocked at time of printing - Please enquire for lead time

Page 5 of 12

E&OE Pricing and all details subject to change without notice - Copyright Miniature Bearings Australia Pty Ltd
MBA Size Listings are a guide to sizes only and must not be solely relied on for critical design information.

Rod Ends - Steel - PTFE Lined - Tight Fit - Male

Part Number	Eye Size (d1) mm <i>inches</i>	Overall Length (L) mm <i>inches</i>	Thread Size	Thread Length (l2) mm <i>inches</i>	Head Width (W) mm <i>inches</i>	Eye Width (W1) mm <i>inches</i>	Head Diameter (D) mm <i>inches</i>	Centre Height (l1) mm <i>inches</i>	Grease Nipple	Max Angle of Pivot Deg
# REM-080-R-CT-B	8.000 <i>0.315</i>	53.00 <i>2.087</i>	M8x1.25 Right	25.00 <i>0.984</i>	9.00 <i>0.354</i>	12.00 <i>0.472</i>	22.00 <i>0.866</i>	42.00 <i>1.654</i>	-	-
# REM-080-L-CT-A	8.000 <i>0.315</i>	53.00 <i>2.087</i>	M8x1.25 Left	25.00 <i>0.984</i>	9.00 <i>0.354</i>	12.00 <i>0.472</i>	22.00 <i>0.866</i>	42.00 <i>1.654</i>	-	-
# REM-080-R-CT-A	8.000 <i>0.315</i>	53.00 <i>2.087</i>	M8x1.25 Right	25.00 <i>0.984</i>	9.00 <i>0.354</i>	12.00 <i>0.472</i>	22.00 <i>0.866</i>	42.00 <i>1.654</i>	No	-
# REM-095-L-CT	9.525 <i>0.375</i>	61.93 <i>2.438</i>	3/8-24 UNF Left	31.75 <i>1.250</i>	10.31 <i>0.406</i>	12.70 <i>0.500</i>	25.40 <i>1.000</i>	49.23 <i>1.938</i>	-	-
# REM-095-R-CT	9.525 <i>0.375</i>	61.93 <i>2.438</i>	3/8-24 UNF Right	31.75 <i>1.250</i>	10.31 <i>0.406</i>	12.70 <i>0.500</i>	25.40 <i>1.000</i>	49.23 <i>1.938</i>	-	-
# REM-100-R-CT-N	10.000 <i>0.394</i>	-	M10x1.5 Right	29.00 <i>1.142</i>	6.00 <i>0.236</i>	9.00 <i>0.354</i>	28.00 <i>1.102</i>	48.00 <i>1.890</i>	No	-
# REM-100-L-CT-N	10.000 <i>0.394</i>	-	M10x1.5 Left	29.00 <i>1.142</i>	6.00 <i>0.236</i>	9.00 <i>0.354</i>	28.00 <i>1.102</i>	48.00 <i>1.890</i>	No	-
# REM-100-L-CT-A	10.000 <i>0.394</i>	61.00 <i>2.402</i>	M10x1.5 Left	29.00 <i>1.142</i>	11.00 <i>0.433</i>	14.00 <i>0.551</i>	26.00 <i>1.024</i>	48.00 <i>1.890</i>	-	-
# REM-100-R-CT-A	10.000 <i>0.394</i>	61.00 <i>2.402</i>	M10x1.5 Right	29.00 <i>1.142</i>	10.50 <i>0.413</i>	14.00 <i>0.551</i>	26.00 <i>1.024</i>	48.00 <i>1.890</i>	No	-
# REM-100-R-CT-B	10.000 <i>0.394</i>	61.00 <i>2.402</i>	M10x1.5 Right	29.00 <i>1.142</i>	11.00 <i>0.433</i>	14.00 <i>0.551</i>	26.00 <i>1.024</i>	48.00 <i>1.890</i>	-	-

Indicates item not stocked at time of printing - Please enquire for lead time

Page 6 of 12

E&OE Pricing and all details subject to change without notice - Copyright Miniature Bearings Australia Pty Ltd
MBA Size Listings are a guide to sizes only and must not be solely relied on for critical design information.

Rod Ends - Steel - PTFE Lined - Tight Fit - Male

Part Number	Eye Size (d1) mm	Overall Length (L) mm	Thread Size	Thread Length (l2) mm	Head Width (W) mm	Eye Width (W1) mm	Head Diameter (D) mm	Centre Height (l1) mm	Grease Nipple	Max Angle of Pivot Deg
	<i>inches</i>	<i>inches</i>		<i>inches</i>	<i>inches</i>	<i>inches</i>	<i>inches</i>	<i>inches</i>		
# REM-111-L-CT	11.113	68.28	7/16-20 UNF Left	34.93	11.10	14.27	28.58	53.98	-	-
	<i>0.438</i>	<i>2.688</i>		<i>1.375</i>	<i>0.437</i>	<i>0.562</i>	<i>1.125</i>	<i>2.125</i>		
# REM-111-R-CT	11.113	68.28	7/16-20 UNF Right	34.93	11.10	14.27	28.58	53.98	-	-
	<i>0.438</i>	<i>2.688</i>		<i>1.375</i>	<i>0.437</i>	<i>0.562</i>	<i>1.125</i>	<i>2.125</i>		
# REM-120-L-CT-N	12.000	-	M12x1.75 Left	33.00	7.00	10.00	32.00	54.00	No	-
	<i>0.472</i>			<i>1.299</i>	<i>0.276</i>	<i>0.394</i>	<i>1.260</i>	<i>2.126</i>		
# REM-120-R-CT-N	12.000	-	M12x1.75 Right	33.00	7.00	10.00	32.00	54.00	No	-
	<i>0.472</i>			<i>1.299</i>	<i>0.276</i>	<i>0.394</i>	<i>1.260</i>	<i>2.126</i>		
# REM-120-L-CT-A	12.000	69.00	M12x1.75 Left	33.00	12.00	16.00	30.00	54.00	-	-
	<i>0.472</i>	<i>2.717</i>		<i>1.299</i>	<i>0.472</i>	<i>0.630</i>	<i>1.181</i>	<i>2.126</i>		
# REM-120-R-CT-A	12.000	69.00	M12x1.75 Right	33.00	12.00	16.00	30.00	54.00	-	-
	<i>0.472</i>	<i>2.717</i>		<i>1.299</i>	<i>0.472</i>	<i>0.630</i>	<i>1.181</i>	<i>2.126</i>		
# REM-127-L-CT	12.700	78.59	1/2-20 UNF Left	38.10	12.70	15.88	33.32	61.93	-	-
	<i>0.500</i>	<i>3.094</i>		<i>1.500</i>	<i>0.500</i>	<i>0.625</i>	<i>1.312</i>	<i>2.438</i>		
# REM-127-R-CT	12.700	78.59	1/2-20 UNF Right	38.10	12.70	15.88	33.32	61.93	-	-
	<i>0.500</i>	<i>3.094</i>		<i>1.500</i>	<i>0.500</i>	<i>0.625</i>	<i>1.312</i>	<i>2.438</i>		
# REM-140-R-CT	14.000	77.00	M14x2 Right	36.00	14.00	19.00	34.00	60.00	-	-
	<i>0.551</i>	<i>3.031</i>		<i>1.417</i>	<i>0.551</i>	<i>0.748</i>	<i>1.339</i>	<i>2.362</i>		

Indicates item not stocked at time of printing - Please enquire for lead time

Page 7 of 12

E&OE Pricing and all details subject to change without notice - Copyright Miniature Bearings Australia Pty Ltd
MBA Size Listings are a guide to sizes only and must not be solely relied on for critical design information.

Rod Ends - Steel - PTFE Lined - Tight Fit - Male

Part Number	Eye Size (d1) mm	Overall Length (L) mm	Thread Size	Thread Length (l2) mm	Head Width (W) mm	Eye Width (W1) mm	Head Diameter (D) mm	Centre Height (l1) mm	Grease Nipple	Max Angle of Pivot Deg
	<i>inches</i>	<i>inches</i>		<i>inches</i>	<i>inches</i>	<i>inches</i>	<i>inches</i>	<i>inches</i>		
# REM-140-L-CT	14.000 <i>0.551</i>	77.00 <i>3.031</i>	M14x2 Left	36.00 <i>1.417</i>	14.00 <i>0.551</i>	19.00 <i>0.748</i>	34.00 <i>1.339</i>	60.00 <i>2.362</i>	-	-
# REM-150-R-CT-140	15.000 <i>0.591</i>	-	M14x2 Right	36.00 <i>1.417</i>	9.00 <i>0.354</i>	12.00 <i>0.472</i>	38.00 <i>1.496</i>	63.00 <i>2.480</i>	No	-
# REM-150-L-CT-140	15.000 <i>0.591</i>	-	M14x2 Left	36.00 <i>1.417</i>	9.00 <i>0.354</i>	12.00 <i>0.472</i>	38.00 <i>1.496</i>	63.00 <i>2.480</i>	No	-
# REM-159-L-CT	15.875 <i>0.625</i>	85.73 <i>3.375</i>	5/8-18 UNF Left	41.28 <i>1.625</i>	14.27 <i>0.562</i>	19.05 <i>0.750</i>	38.10 <i>1.500</i>	66.68 <i>2.625</i>	-	-
# REM-159-R-CT	15.875 <i>0.625</i>	85.73 <i>3.375</i>	5/8-18 UNF Right	41.28 <i>1.625</i>	14.27 <i>0.562</i>	19.05 <i>0.750</i>	38.10 <i>1.500</i>	66.68 <i>2.625</i>	-	-
# REM-160-L-CT-A	16.000 <i>0.630</i>	85.00 <i>3.346</i>	M16x2 Left	40.00 <i>1.575</i>	15.00 <i>0.591</i>	21.00 <i>0.827</i>	38.00 <i>1.496</i>	66.00 <i>2.598</i>	-	-
# REM-160-R-CT-C1	16.000 <i>0.630</i>	85.00 <i>3.346</i>	M16x2 Right	40.00 <i>1.575</i>	15.00 <i>0.591</i>	21.00 <i>0.827</i>	38.00 <i>1.496</i>	66.00 <i>2.598</i>	-	-
# REM-170-L-CT-160	17.000 <i>0.669</i>	-	M16x2 Left	40.00 <i>1.575</i>	10.00 <i>0.394</i>	14.00 <i>0.551</i>	44.00 <i>1.732</i>	69.00 <i>2.717</i>	No	-
# REM-170-R-CT-160	17.000 <i>0.669</i>	-	M16x2 Right	40.00 <i>1.575</i>	10.00 <i>0.394</i>	14.00 <i>0.551</i>	44.00 <i>1.732</i>	69.00 <i>2.717</i>	No	-
# REM-180-R-CT	18.000 <i>0.709</i>	93.00 <i>3.661</i>	M18x1.5 Right	44.00 <i>1.732</i>	17.00 <i>0.669</i>	23.00 <i>0.906</i>	42.00 <i>1.654</i>	72.00 <i>2.835</i>	-	-

Indicates item not stocked at time of printing - Please enquire for lead time

Page 8 of 12

E&OE Pricing and all details subject to change without notice - Copyright Miniature Bearings Australia Pty Ltd
MBA Size Listings are a guide to sizes only and must not be solely relied on for critical design information.

Rod Ends - Steel - PTFE Lined - Tight Fit - Male

Part Number	Eye Size (d1) mm	Overall Length (L) mm	Thread Size	Thread Length (l2) mm	Head Width (W) mm	Eye Width (W1) mm	Head Diameter (D) mm	Centre Height (l1) mm	Grease Nipple	Max Angle of Pivot Deg
	<i>inches</i>	<i>inches</i>		<i>inches</i>	<i>inches</i>	<i>inches</i>	<i>inches</i>	<i>inches</i>		
# REM-180-R-CT-N-A	18.000 <i>0.709</i>	93.00 <i>3.661</i>	M18x1.5 Right	44.00 <i>1.732</i>	16.50 <i>0.650</i>	23.00 <i>0.906</i>	42.00 <i>1.654</i>	72.00 <i>2.835</i>	No	-
# REM-180-L-CT	18.000 <i>0.709</i>	93.00 <i>3.661</i>	M18x1.5 Left	44.00 <i>1.732</i>	17.00 <i>0.669</i>	23.00 <i>0.906</i>	42.00 <i>1.654</i>	72.00 <i>2.835</i>	-	-
# REM-191-R-CT	19.050 <i>0.750</i>	95.25 <i>3.750</i>	3/4-16 UNF Right	44.45 <i>1.750</i>	17.45 <i>0.687</i>	22.23 <i>0.875</i>	44.45 <i>1.750</i>	73.03 <i>2.875</i>	-	-
# REM-191-L-CT	19.050 <i>0.750</i>	95.25 <i>3.750</i>	3/4-16 UNF Left	44.45 <i>1.750</i>	17.45 <i>0.687</i>	22.23 <i>0.875</i>	44.45 <i>1.750</i>	73.03 <i>2.875</i>	-	-
# REM-200-L-CT-B	20.000 <i>0.787</i>	-	M20x1.5 Left	47.00 <i>1.850</i>	18.00 <i>0.709</i>	25.00 <i>0.984</i>	50.00 <i>1.969</i>	78.00 <i>3.071</i>	No	-
# REM-200-L-CT-N	20.000 <i>0.787</i>	-	M20x1.5 Left	47.00 <i>1.850</i>	12.00 <i>0.472</i>	16.00 <i>0.630</i>	51.00 <i>2.008</i>	78.00 <i>3.071</i>	No	-
# REM-200-R-CT-N	20.000 <i>0.787</i>	-	M20x1.5 Right	47.00 <i>1.850</i>	12.00 <i>0.472</i>	16.00 <i>0.630</i>	51.00 <i>2.008</i>	78.00 <i>3.071</i>	No	-
# REM-200-L-CT-A	20.000 <i>0.787</i>	101.00 <i>3.976</i>	M20x1.5 Left	47.00 <i>1.850</i>	18.00 <i>0.709</i>	25.00 <i>0.984</i>	46.00 <i>1.811</i>	78.00 <i>3.071</i>	-	-
# REM-200-R-CT-A	20.000 <i>0.787</i>	101.00 <i>3.976</i>	M20x1.5 Right	47.00 <i>1.850</i>	18.00 <i>0.709</i>	25.00 <i>0.984</i>	46.00 <i>1.811</i>	78.00 <i>3.071</i>	-	-
# REM-220-R-CT-A	22.000 <i>0.866</i>	109.00 <i>4.291</i>	M22x1.5 Right	51.00 <i>2.008</i>	20.00 <i>0.787</i>	28.00 <i>1.102</i>	50.00 <i>1.969</i>	84.00 <i>3.307</i>	-	-

Indicates item not stocked at time of printing - Please enquire for lead time

Page 9 of 12

E&OE Pricing and all details subject to change without notice - Copyright Miniature Bearings Australia Pty Ltd
MBA Size Listings are a guide to sizes only and must not be solely relied on for critical design information.

Rod Ends - Steel - PTFE Lined - Tight Fit - Male

Part Number	Eye Size (d1) mm	Overall Length (L) mm	Thread Size	Thread Length (l2) mm	Head Width (W) mm	Eye Width (W1) mm	Head Diameter (D) mm	Centre Height (l1) mm	Grease Nipple	Max Angle of Pivot Deg
	<i>inches</i>	<i>inches</i>		<i>inches</i>	<i>inches</i>	<i>inches</i>	<i>inches</i>	<i>inches</i>		
# REM-220-L-CT-A	22.000 <i>0.866</i>	109.00 <i>4.291</i>	M22x1.5 Left	51.00 <i>2.008</i>	20.00 <i>0.787</i>	28.00 <i>1.102</i>	50.00 <i>1.969</i>	84.00 <i>3.307</i>	-	-
# REM-250-R-CT-240-N	25.000 <i>0.984</i>	-	M24x2 Right	57.00 <i>2.244</i>	16.00 <i>0.630</i>	20.00 <i>0.787</i>	62.00 <i>2.441</i>	94.00 <i>3.701</i>	No	-
# REM-250-L-CT-240-N	25.000 <i>0.984</i>	-	M24x2 Left	57.00 <i>2.244</i>	16.00 <i>0.630</i>	20.00 <i>0.787</i>	62.00 <i>2.441</i>	94.00 <i>3.701</i>	No	-
# REM-250-R-CT-240-A	25.000 <i>0.984</i>	122.00 <i>4.803</i>	M24x2 Right	57.00 <i>2.244</i>	22.00 <i>0.866</i>	31.00 <i>1.220</i>	56.00 <i>2.205</i>	94.00 <i>3.701</i>	-	-
# REM-250-L-CT-240-A	25.000 <i>0.984</i>	122.00 <i>4.803</i>	M24x2 Left	57.00 <i>2.244</i>	22.00 <i>0.866</i>	31.00 <i>1.220</i>	56.00 <i>2.205</i>	94.00 <i>3.701</i>	-	-
# REM-254-L-CT-318	25.400 <i>1.000</i>	143.50 <i>5.650</i>	1.1/4-12 UNF Left	66.00 <i>2.598</i>	24.50 <i>0.965</i>	34.90 <i>1.374</i>	67.00 <i>2.638</i>	110.00 <i>4.331</i>	-	-
# REM-254-R-CT-318	25.400 <i>1.000</i>	143.50 <i>5.650</i>	1.1/4-12 UNF Right	66.00 <i>2.598</i>	24.50 <i>0.965</i>	34.90 <i>1.374</i>	67.00 <i>2.638</i>	110.00 <i>4.331</i>	-	-
# REM-300-R-CT-N	30.000 <i>1.181</i>	-	M30x2 Right	66.00 <i>2.598</i>	18.00 <i>0.709</i>	22.00 <i>0.866</i>	70.00 <i>2.756</i>	110.00 <i>4.331</i>	No	-
# REM-300-L-CT-N	30.000 <i>1.181</i>	-	M30x2 Left	66.00 <i>2.598</i>	18.00 <i>0.709</i>	22.00 <i>0.866</i>	70.00 <i>2.756</i>	110.00 <i>4.331</i>	No	-
# REM-300-L-CT-A	30.000 <i>1.181</i>	143.50 <i>5.650</i>	M30x2 Left	66.00 <i>2.598</i>	26.00 <i>1.024</i>	37.00 <i>1.457</i>	67.00 <i>2.638</i>	110.00 <i>4.331</i>	-	-

Indicates item not stocked at time of printing - Please enquire for lead time

Page 10 of 12

E&OE Pricing and all details subject to change without notice - Copyright Miniature Bearings Australia Pty Ltd
MBA Size Listings are a guide to sizes only and must not be solely relied on for critical design information.

Rod Ends - Steel - PTFE Lined - Tight Fit - Male

Part Number	Eye Size (d1) mm	Overall Length (L) mm	Thread Size	Thread Length (l2) mm	Head Width (W) mm	Eye Width (W1) mm	Head Diameter (D) mm	Centre Height (l1) mm	Grease Nipple	Max Angle of Pivot Deg
	<i>inches</i>	<i>inches</i>		<i>inches</i>	<i>inches</i>	<i>inches</i>	<i>inches</i>	<i>inches</i>		
# REM-300-R-CT-A	30.000 <i>1.181</i>	143.50 <i>5.650</i>	M30x2 Right	66.00 <i>2.598</i>	26.00 <i>1.024</i>	37.00 <i>1.457</i>	67.00 <i>2.638</i>	110.00 <i>4.331</i>	-	-
# REM-350-L-CT-360	35.000 <i>1.378</i>	-	M36x3 Left	92.00 <i>3.622</i>	20.00 <i>0.787</i>	25.00 <i>0.984</i>	82.00 <i>3.228</i>	140.00 <i>5.512</i>	No	-
# REM-350-R-CT-360	35.000 <i>1.378</i>	-	M36x3 Right	92.00 <i>3.622</i>	20.00 <i>0.787</i>	25.00 <i>0.984</i>	82.00 <i>3.228</i>	140.00 <i>5.512</i>	No	-
# REM-400-L-CT-420	40.000 <i>1.575</i>	-	M42x3 Left	94.00 <i>3.701</i>	22.00 <i>0.866</i>	28.00 <i>1.102</i>	92.00 <i>3.622</i>	145.00 <i>5.709</i>	No	-
# REM-400-R-CT-420	40.000 <i>1.575</i>	-	M42x3 Right	94.00 <i>3.701</i>	22.00 <i>0.866</i>	28.00 <i>1.102</i>	92.00 <i>3.622</i>	145.00 <i>5.709</i>	No	-
# REM-450-L-CT	45.000 <i>1.772</i>	-	M45x3 Left	100.00 <i>3.937</i>	25.00 <i>0.984</i>	32.00 <i>1.260</i>	102.00 <i>4.016</i>	165.00 <i>6.496</i>	No	-
# REM-450-R-CT	45.000 <i>1.772</i>	-	M45x3 Right	100.00 <i>3.937</i>	25.00 <i>0.984</i>	32.00 <i>1.260</i>	102.00 <i>4.016</i>	165.00 <i>6.496</i>	No	-
# REM-500-L-CT-520	50.000 <i>1.969</i>	-	M52x3 Left	120.00 <i>4.724</i>	28.00 <i>1.102</i>	35.00 <i>1.378</i>	112.00 <i>4.409</i>	195.00 <i>7.677</i>	No	-
# REM-500-R-CT-520	50.000 <i>1.969</i>	-	M52x3 Right	120.00 <i>4.724</i>	28.00 <i>1.102</i>	35.00 <i>1.378</i>	112.00 <i>4.409</i>	195.00 <i>7.677</i>	No	-
# REM-600-R-CT	60.000 <i>2.362</i>	-	M60x4 Right	140.00 <i>5.512</i>	36.00 <i>1.417</i>	44.00 <i>1.732</i>	135.00 <i>5.315</i>	225.00 <i>8.858</i>	No	-

Indicates item not stocked at time of printing - Please enquire for lead time

Page 11 of 12

E&OE Pricing and all details subject to change without notice - Copyright Miniature Bearings Australia Pty Ltd
MBA Size Listings are a guide to sizes only and must not be solely relied on for critical design information.

Rod Ends - Steel - PTFE Lined - Tight Fit - Male

Part Number	Eye Size (d1) mm	Overall Length (L) mm	Thread Size	Thread Length (l2) mm	Head Width (W) mm	Eye Width (W1) mm	Head Diameter (D) mm	Centre Height (l1) mm	Grease Nipple	Max Angle of Pivot Deg
	<i>inches</i>	<i>inches</i>		<i>inches</i>	<i>inches</i>	<i>inches</i>	<i>inches</i>	<i>inches</i>		
# REM-600-L-CT	60.000	-	M60x4 Left	140.00	36.00	44.00	135.00	225.00	No	-
	2.362			5.512	1.417	1.732	5.315	8.858		

Indicates item not stocked at time of printing - Please enquire for lead time

Page 12 of 12

E&OE Pricing and all details subject to change without notice - Copyright Miniature Bearings Australia Pty Ltd

MBA Size Listings are a guide to sizes only and must not be solely relied on for critical design information.

DISTRIBUTED BY

Distributed By:

