



Rod Ends - Steel - Studded - PTFE Seat - Female

10/4/2018

Indicates item not stocked at time of printing - Please enquire for lead time

E&OE Pricing and all details subject to change without notice - Copyright Miniature Bearings Australia Pty Ltd

MBA Size Listings are a guide to sizes only and must not be solely relied on for critical design information.

INFORMATION

Housing is plated and dichromate treated steel.

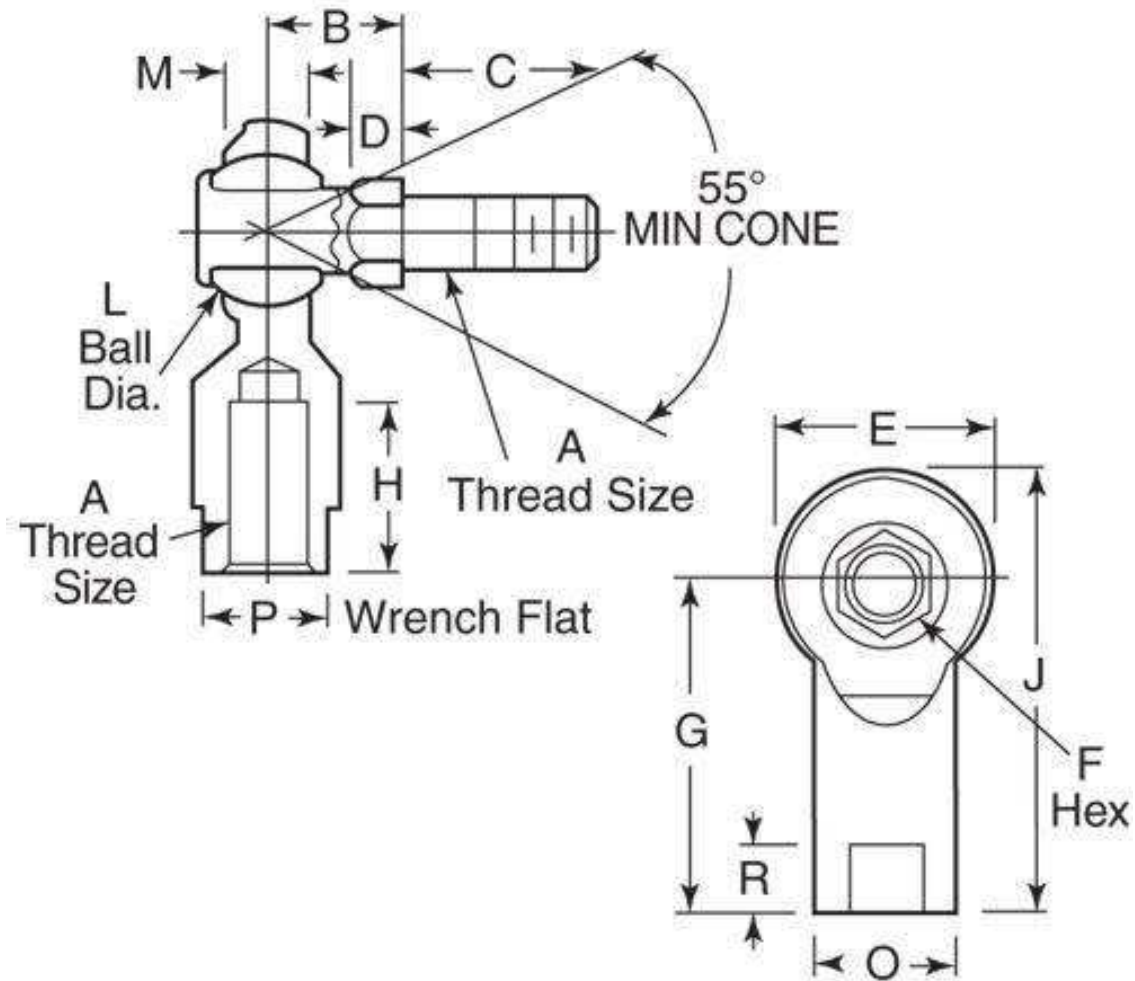
Ball is case hardened and plated

Stud is permanently affixed and made from heat treated alloy steel, zinc plated.

Indicates item not stocked at time of printing - Please enquire for lead time

E&OE Pricing and all details subject to change without notice - Copyright Miniature Bearings Australia Pty Ltd

MBA Size Listings are a guide to sizes only and must not be solely relied on for critical design information.



Indicates item not stocked at time of printing - Please enquire for lead time

E&OE Pricing and all details subject to change without notice - Copyright Miniature Bearings Australia Pty Ltd

MBA Size Listings are a guide to sizes only and must not be solely relied on for critical design information.

Rod Ends - Steel - Studed - PTFE Seat - Female

Part Number	Thread Size	Thread Length (H) mm	Thread Length (C) mm	Head Diameter (E) mm	Centre Height (G) mm	Top Width (M) mm	Ball Width (L) mm	Base Width mm	Base Length (P) mm
		<i>inches</i>	<i>inches</i>	<i>inches</i>	<i>inches</i>	<i>inches</i>	<i>inches</i>	<i>inches</i>	<i>inches</i>
# EFT3SRS	10-32 UNF (4.762mm) Right Hand	12.70	11.10	15.88	26.98	06.35	07.93	10.31	07.93
		<i>0.500</i>	<i>0.437</i>	<i>0.625</i>	<i>1.062</i>	<i>0.250</i>	<i>0.312</i>	<i>0.406</i>	<i>0.312</i>
# EFT4SRS	1/4-28 UNF (6.35mm) Right Hand	17.45	14.28	19.05	33.33	07.14	09.53	11.91	09.53
		<i>0.687</i>	<i>0.562</i>	<i>0.750</i>	<i>1.312</i>	<i>0.281</i>	<i>0.375</i>	<i>0.469</i>	<i>0.375</i>
# EFT5SRS	5/16-24 UNF (7.938mm) Right Hand	17.45	17.45	22.23	34.93	08.74	11.10	12.70	11.10
		<i>0.687</i>	<i>0.687</i>	<i>0.875</i>	<i>1.375</i>	<i>0.344</i>	<i>0.437</i>	<i>0.500</i>	<i>0.437</i>
# EFT6SRS	3/8-24 UNF (9.525mm) Right Hand	20.63	22.23	25.40	41.28	10.31	12.70	17.45	14.28
		<i>0.812</i>	<i>0.875</i>	<i>1.000</i>	<i>1.625</i>	<i>0.406</i>	<i>0.500</i>	<i>0.687</i>	<i>0.562</i>

Indicates item not stocked at time of printing - Please enquire for lead time

Page 4 of 4

E&OE Pricing and all details subject to change without notice - Copyright Miniature Bearings Australia Pty Ltd
MBA Size Listings are a guide to sizes only and must not be solely relied on for critical design information.

DISTRIBUTED BY

Distributed By:

