



Rollers - Durasoft - Shaft Mount - Black Neoprene

10/4/2018

Indicates item not stocked at time of printing - Please enquire for lead time

E&OE Pricing and all details subject to change without notice - Copyright Miniature Bearings Australia Pty Ltd

MBA Size Listings are a guide to sizes only and must not be solely relied on for critical design information.

Page 1 of 4

INFORMATION

Used on conveyors, belt idlers, shock cushioners, stamping die part guides, supports etc.

Designed for use in machines and assembly operations where part movement and protection is needed.

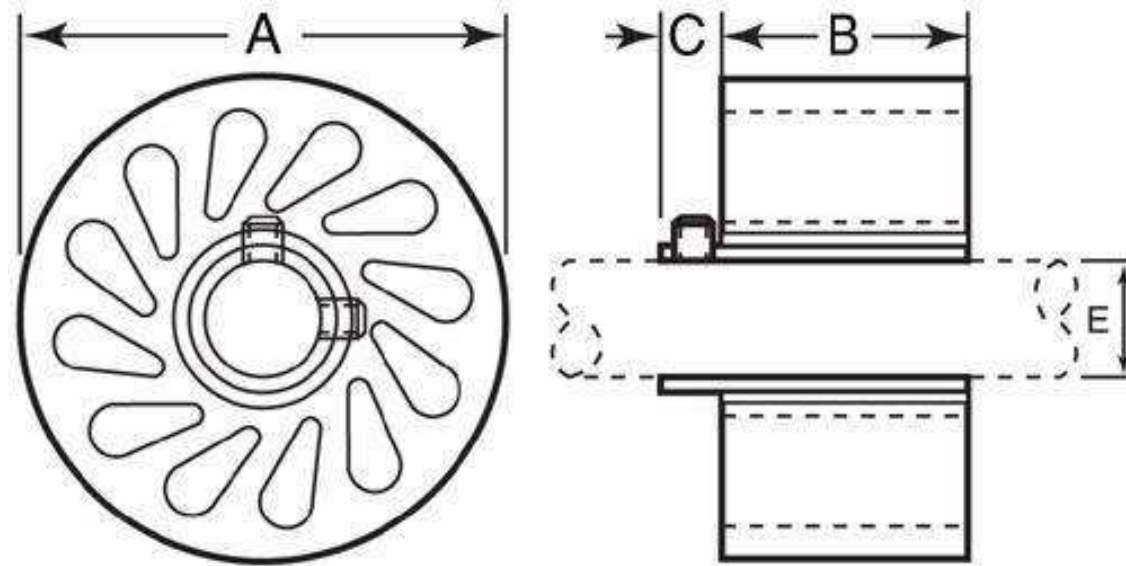
Durasoft rollers have a gentle but firm touch.

Unique shape of holes adds to their soft but resilient nature.

Indicates item not stocked at time of printing - Please enquire for lead time

E&OE Pricing and all details subject to change without notice - Copyright Miniature Bearings Australia Pty Ltd

MBA Size Listings are a guide to sizes only and must not be solely relied on for critical design information.



Indicates item not stocked at time of printing - Please enquire for lead time

E&OE Pricing and all details subject to change without notice - Copyright Miniature Bearings Australia Pty Ltd

MBA Size Listings are a guide to sizes only and must not be solely relied on for critical design information.

Rollers - Durasoft - Shaft Mount - Black Neoprene

Part Number	Diameter (A) mm <i>inches</i>	Length (B) mm <i>inches</i>	Hub Projection (C) mm <i>inches</i>	Bore (E) mm <i>inches</i>	Material	Durometer Shore A
# RR-420RS	101.60 <i>4.000</i>	23.37 <i>0.920</i>	12.700 <i>0.500</i>	15.90 - 16.03	Neoprene	20
# RR-431RS	101.60 <i>4.000</i>	23.37 <i>0.920</i>	12.700 <i>0.500</i>	25.43 - 25.55	Neoprene	35
# RR-421RS	101.60 <i>4.000</i>	23.37 <i>0.920</i>	12.700 <i>0.500</i>	15.90 - 16.03	Neoprene	35
# RR-428RS	101.60 <i>4.000</i>	49.28 <i>1.940</i>	12.700 <i>0.500</i>	25.43 - 25.55	Neoprene	35
# RR-427RS	101.60 <i>4.000</i>	49.28 <i>1.940</i>	12.700 <i>0.500</i>	19.08 - 19.20	Neoprene	20
# RR-426RS	101.60 <i>4.000</i>	49.28 <i>1.940</i>	12.700 <i>0.500</i>	25.43 - 25.55	Neoprene	20
# RR-429RS	101.60 <i>4.000</i>	49.28 <i>1.940</i>	12.700 <i>0.500</i>	19.08 - 19.20	Neoprene	35
# RR-423RS	101.60 <i>4.000</i>	49.28 <i>1.940</i>	12.700 <i>0.500</i>	15.90 - 16.03	Neoprene	35

Indicates item not stocked at time of printing - Please enquire for lead time

E&OE Pricing and all details subject to change without notice - Copyright Miniature Bearings Australia Pty Ltd

MBA Size Listings are a guide to sizes only and must not be solely relied on for critical design information.

DISTRIBUTED BY

Distributed By:

