



Rollers - Durasoft - Shaft Mount - Coloured Urethane

10/4/2018

Indicates item not stocked at time of printing - Please enquire for lead time

E&OE Pricing and all details subject to change without notice - Copyright Miniature Bearings Australia Pty Ltd

MBA Size Listings are a guide to sizes only and must not be solely relied on for critical design information.

Page 1 of 5

INFORMATION

Used on conveyors, belt idlers, shock cushioners, stamping die part guides, supports etc.

Designed for use in machines and assembly operations where part movement and protection is needed.

Durasoft rollers have a gentle but firm touch.

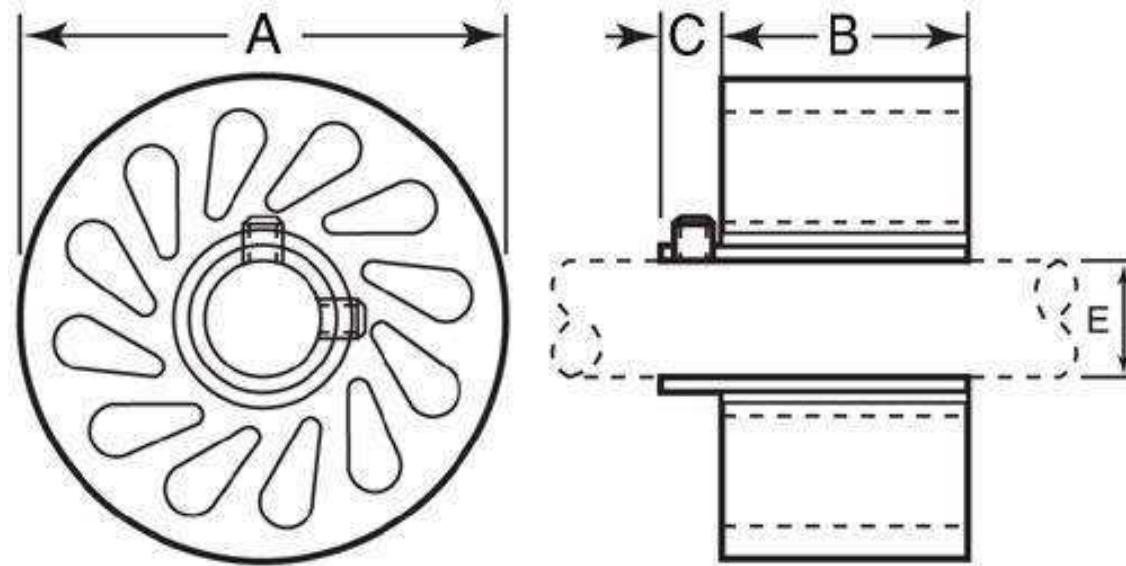
Unique shape of holes adds to their soft but resilient nature.

Blue colour may turn a shade of green when exposed to UV lighting

Indicates item not stocked at time of printing - Please enquire for lead time

E&OE Pricing and all details subject to change without notice - Copyright Miniature Bearings Australia Pty Ltd

MBA Size Listings are a guide to sizes only and must not be solely relied on for critical design information.



Indicates item not stocked at time of printing - Please enquire for lead time

E&OE Pricing and all details subject to change without notice - Copyright Miniature Bearings Australia Pty Ltd

MBA Size Listings are a guide to sizes only and must not be solely relied on for critical design information.

Rollers - Durasoft - Shaft Mount - Coloured Urethane

Part Number	Diameter (A) mm <i>inches</i>	Length (B) mm <i>inches</i>	Hub Projection (C) mm <i>inches</i>	Bore (E) mm <i>inches</i>	Material	Durometer Shore A	Colour
# RR-461RS	63.50 <i>2.500</i>	23.37 <i>0.920</i>	12.700 <i>0.500</i>	15.90 - 16.03	Urethane	60	Blue
# RR-466RS	63.50 <i>2.500</i>	49.28 <i>1.940</i>	12.700 <i>0.500</i>	19.08 - 19.20	Urethane	35	Yellow
# RR-463RS	63.50 <i>2.500</i>	49.28 <i>1.940</i>	12.700 <i>0.500</i>	15.90 - 16.03	Urethane	60	Blue
# RR-462RS	63.50 <i>2.500</i>	49.28 <i>1.940</i>	12.700 <i>0.500</i>	15.90 - 16.03	Urethane	35	Yellow
# RR-481RS	101.60 <i>4.000</i>	23.37 <i>0.920</i>	12.700 <i>0.500</i>	25.43 - 25.55	Urethane	60	Blue
# RR-472RS	101.60 <i>4.000</i>	23.37 <i>0.920</i>	12.700 <i>0.500</i>	15.90 - 16.03	Urethane	35	Yellow
# RR-473RS	101.60 <i>4.000</i>	23.37 <i>0.920</i>	12.700 <i>0.500</i>	15.90 - 16.03	Urethane	60	Blue
# RR-483RS	101.60 <i>4.000</i>	49.28 <i>1.940</i>	12.700 <i>0.500</i>	25.43 - 25.55	Urethane	60	Blue
# RR-474RS	101.60 <i>4.000</i>	49.28 <i>1.940</i>	12.700 <i>0.500</i>	15.90 - 16.03	Urethane	35	Yellow
# RR-479RS	101.60 <i>4.000</i>	49.28 <i>1.940</i>	12.700 <i>0.500</i>	19.08 - 19.20	Urethane	60	Blue

Indicates item not stocked at time of printing - Please enquire for lead time

Page 4 of 5

E&OE Pricing and all details subject to change without notice - Copyright Miniature Bearings Australia Pty Ltd
MBA Size Listings are a guide to sizes only and must not be solely relied on for critical design information.

Rollers - Durasoft - Shaft Mount - Coloured Urethane

Part Number	Diameter (A) mm	Length (B) mm	Hub Projection (C) mm	Bore (E) mm	Material	Durometer Shore A	Colour
	<i>inches</i>	<i>inches</i>	<i>inches</i>	<i>inches</i>			
# RR-475RS	101.60	49.28	12.700	15.90 - 16.03	Urethane	60	Blue
	<i>4.000</i>	<i>1.940</i>	<i>0.500</i>				

Indicates item not stocked at time of printing - Please enquire for lead time

E&OE Pricing and all details subject to change without notice - Copyright Miniature Bearings Australia Pty Ltd

MBA Size Listings are a guide to sizes only and must not be solely relied on for critical design information.

DISTRIBUTED BY

Distributed By:

