



Rollers - Plain

10/4/2018

Indicates item not stocked at time of printing - Please enquire for lead time

E&OE Pricing and all details subject to change without notice - Copyright Miniature Bearings Australia Pty Ltd

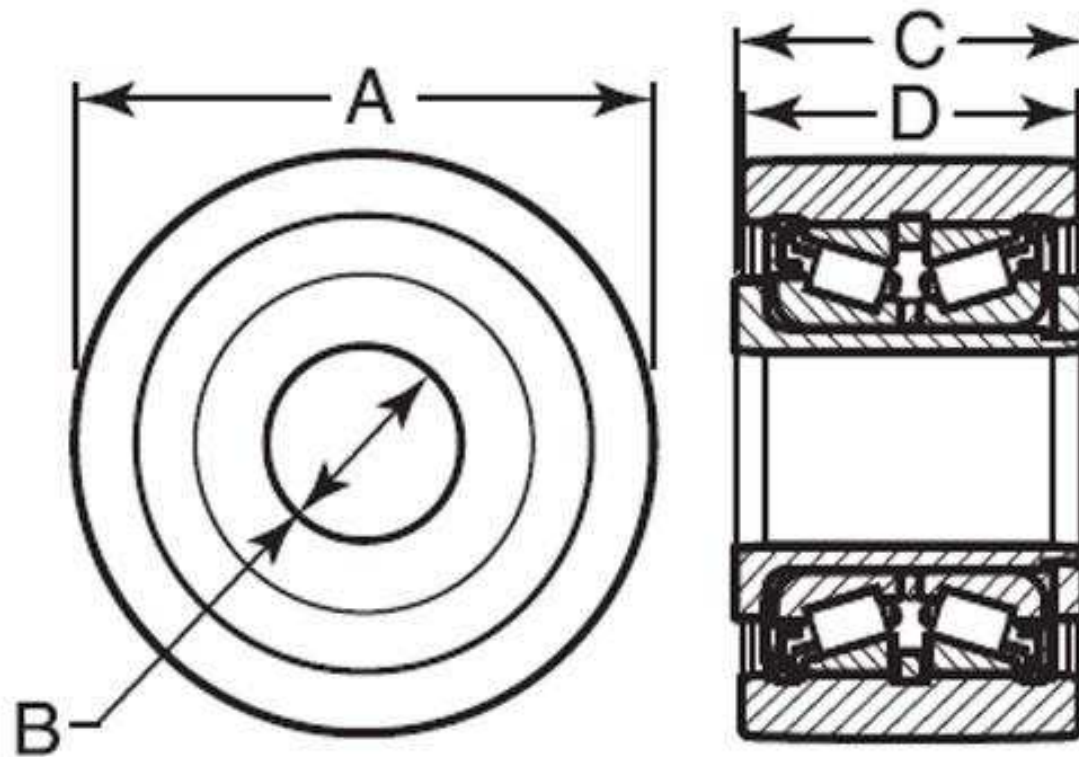
MBA Size Listings are a guide to sizes only and must not be solely relied on for critical design information.

INFORMATION

Indicates item not stocked at time of printing - Please enquire for lead time

E&OE Pricing and all details subject to change without notice - Copyright Miniature Bearings Australia Pty Ltd

MBA Size Listings are a guide to sizes only and must not be solely relied on for critical design information.



Indicates item not stocked at time of printing - Please enquire for lead time

E&OE Pricing and all details subject to change without notice - Copyright Miniature Bearings Australia Pty Ltd

MBA Size Listings are a guide to sizes only and must not be solely relied on for critical design information.

Rollers - Plain

Part Number	Diameter (A) mm	Overall Width (C)	Bore (B) mm	Width (D) kg	Dyanmic Radial Load kg	Dynamic Thrust Load	Material
	<i>inches</i>	<i>inches</i>	<i>inches</i>				
# CCF935RS	63.50 <i>2.500</i>	39.68 <i>1.562</i>	19.050 <i>0.750</i>	38.100	3460.000	2070.000	Steel
# CCF940RS	76.20 <i>3.000</i>	46.03 <i>1.812</i>	25.400 <i>1.000</i>	44.450	9070.000	5440.000	Steel

Indicates item not stocked at time of printing - Please enquire for lead time

E&OE Pricing and all details subject to change without notice - Copyright Miniature Bearings Australia Pty Ltd

MBA Size Listings are a guide to sizes only and must not be solely relied on for critical design information.

DISTRIBUTED BY

Distributed By:

