



# Rollers - Solid - Shaft Mount - Black Neoprene

10/4/2018

# Indicates item not stocked at time of printing - Please enquire for lead time

E&OE Pricing and all details subject to change without notice - Copyright Miniature Bearings Australia Pty Ltd

MBA Size Listings are a guide to sizes only and must not be solely relied on for critical design information.

Page 1 of 6

## INFORMATION

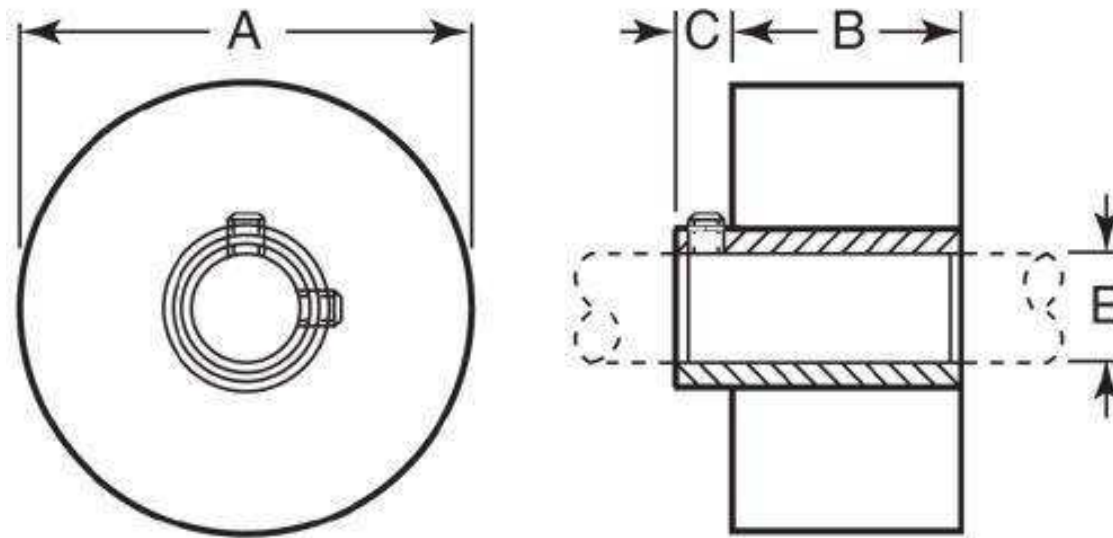
Used on conveyors, belt idlers, shock cushioners, stamping die part guides, supports etc.

Designed for use in machines and assembly operations where part movement and protection is needed.

# Indicates item not stocked at time of printing - Please enquire for lead time

E&OE Pricing and all details subject to change without notice - Copyright Miniature Bearings Australia Pty Ltd

MBA Size Listings are a guide to sizes only and must not be solely relied on for critical design information.



# Indicates item not stocked at time of printing - Please enquire for lead time

E&OE Pricing and all details subject to change without notice - Copyright Miniature Bearings Australia Pty Ltd

MBA Size Listings are a guide to sizes only and must not be solely relied on for critical design information.

## Rollers - Solid - Shaft Mount - Black Neoprene

Part Number	Diameter (A) mm <i>inches</i>	Length (B) mm <i>inches</i>	Hub Projection (C) mm <i>inches</i>	Bore (E) mm <i>inches</i>	Material	Durometer
# RR-152RS	38.10 <i>1.500</i>	31.75 <i>1.250</i>	9.525 <i>0.375</i>	9.55 - 9.65	Neoprene	60
# RR-154RS	38.10 <i>1.500</i>	31.75 <i>1.250</i>	9.525 <i>0.375</i>	12.73 - 16.03	Neoprene	20
# RR-157RS	38.10 <i>1.500</i>	31.75 <i>1.250</i>	9.525 <i>0.375</i>	12.73 - 16.03	Neoprene	80
# RR-150RS	38.10 <i>1.500</i>	31.75 <i>1.250</i>	9.525 <i>0.375</i>	9.55 - 9.65	Neoprene	20
# RR-165RS	50.80 <i>2.000</i>	49.28 <i>1.940</i>	12.700 <i>0.500</i>	15.90 - 16.03	Neoprene	80
# RR-170RS	50.80 <i>2.000</i>	49.28 <i>1.940</i>	12.700 <i>0.500</i>	25.43 - 25.55	Neoprene	35
# RR-174RS	50.80 <i>2.000</i>	49.28 <i>1.940</i>	12.700 <i>0.500</i>	25.43 - 25.55	Neoprene	80
# RR-273RS	63.50 <i>2.500</i>	23.37 <i>0.920</i>	12.700 <i>0.500</i>	25.43 - 25.55	Neoprene	80
# RR-250RS	63.50 <i>2.500</i>	23.37 <i>0.920</i>	12.700 <i>0.500</i>	19.08 - 19.20	Neoprene	20
# RR-271RS	63.50 <i>2.500</i>	23.37 <i>0.920</i>	12.700 <i>0.500</i>	25.43 - 25.55	Neoprene	60

# Indicates item not stocked at time of printing - Please enquire for lead time

E&OE Pricing and all details subject to change without notice - Copyright Miniature Bearings Australia Pty Ltd

MBA Size Listings are a guide to sizes only and must not be solely relied on for critical design information.

## Rollers - Solid - Shaft Mount - Black Neoprene

Part Number	Diameter (A) mm <i>inches</i>	Length (B) mm <i>inches</i>	Hub Projection (C) mm <i>inches</i>	Bore (E) mm <i>inches</i>	Material	Durometer
# RR-274RS	63.50 <i>2.500</i>	49.28 <i>1.940</i>	12.700 <i>0.500</i>	25.43 - 25.55	Neoprene	80
# RR-264RS	63.50 <i>2.500</i>	49.28 <i>1.940</i>	12.700 <i>0.500</i>	19.08 - 19.20	Neoprene	80
# RR-262RS	63.50 <i>2.500</i>	49.28 <i>1.940</i>	12.700 <i>0.500</i>	19.08 - 19.20	Neoprene	60
# RR-260RS	63.50 <i>2.500</i>	49.28 <i>1.940</i>	12.700 <i>0.500</i>	19.08 - 19.20	Neoprene	35
# RR-272RS	63.50 <i>2.500</i>	49.28 <i>1.940</i>	12.700 <i>0.500</i>	25.43 - 25.55	Neoprene	60
# RR-349RS	101.60 <i>4.000</i>	23.37 <i>0.920</i>	12.700 <i>0.500</i>	15.90 - 16.03	Neoprene	35
# RR-351RS	101.60 <i>4.000</i>	23.37 <i>0.920</i>	12.700 <i>0.500</i>	15.90 - 16.03	Neoprene	80
# RR-357RS	101.60 <i>4.000</i>	23.37 <i>0.920</i>	12.700 <i>0.500</i>	19.08 - 19.20	Neoprene	35
# RR-366RS	101.60 <i>4.000</i>	23.37 <i>0.920</i>	12.700 <i>0.500</i>	25.43 - 25.55	Neoprene	60
# RR-374RS	101.60 <i>4.000</i>	49.28 <i>1.940</i>	12.700 <i>0.500</i>	25.43 - 25.55	Neoprene	80

# Indicates item not stocked at time of printing - Please enquire for lead time

E&OE Pricing and all details subject to change without notice - Copyright Miniature Bearings Australia Pty Ltd

MBA Size Listings are a guide to sizes only and must not be solely relied on for critical design information.

## Rollers - Solid - Shaft Mount - Black Neoprene

Part Number	Diameter (A) mm <i>inches</i>	Length (B) mm <i>inches</i>	Hub Projection (C) mm <i>inches</i>	Bore (E) mm <i>inches</i>	Material	Durometer
# RR-353RS	101.60 <i>4.000</i>	49.28 <i>1.940</i>	12.700 <i>0.500</i>	15.90 - 16.03	Neoprene	35
# RR-360RS	101.60 <i>4.000</i>	49.28 <i>1.940</i>	12.700 <i>0.500</i>	19.08 - 19.20	Neoprene	20
# RR-361RS	101.60 <i>4.000</i>	49.28 <i>1.940</i>	12.700 <i>0.500</i>	19.08 - 19.20	Neoprene	35
# RR-362RS	101.60 <i>4.000</i>	49.28 <i>1.940</i>	12.700 <i>0.500</i>	19.08 - 19.20	Neoprene	60
# RR-372RS	101.60 <i>4.000</i>	49.28 <i>1.940</i>	12.700 <i>0.500</i>	25.43 - 25.55	Neoprene	60

# Indicates item not stocked at time of printing - Please enquire for lead time

E&OE Pricing and all details subject to change without notice - Copyright Miniature Bearings Australia Pty Ltd  
MBA Size Listings are a guide to sizes only and must not be solely relied on for critical design information.

DISTRIBUTED BY

Distributed By:

