



Rollers - V-Groove

10/4/2018

Indicates item not stocked at time of printing - Please enquire for lead time

E&OE Pricing and all details subject to change without notice - Copyright Miniature Bearings Australia Pty Ltd

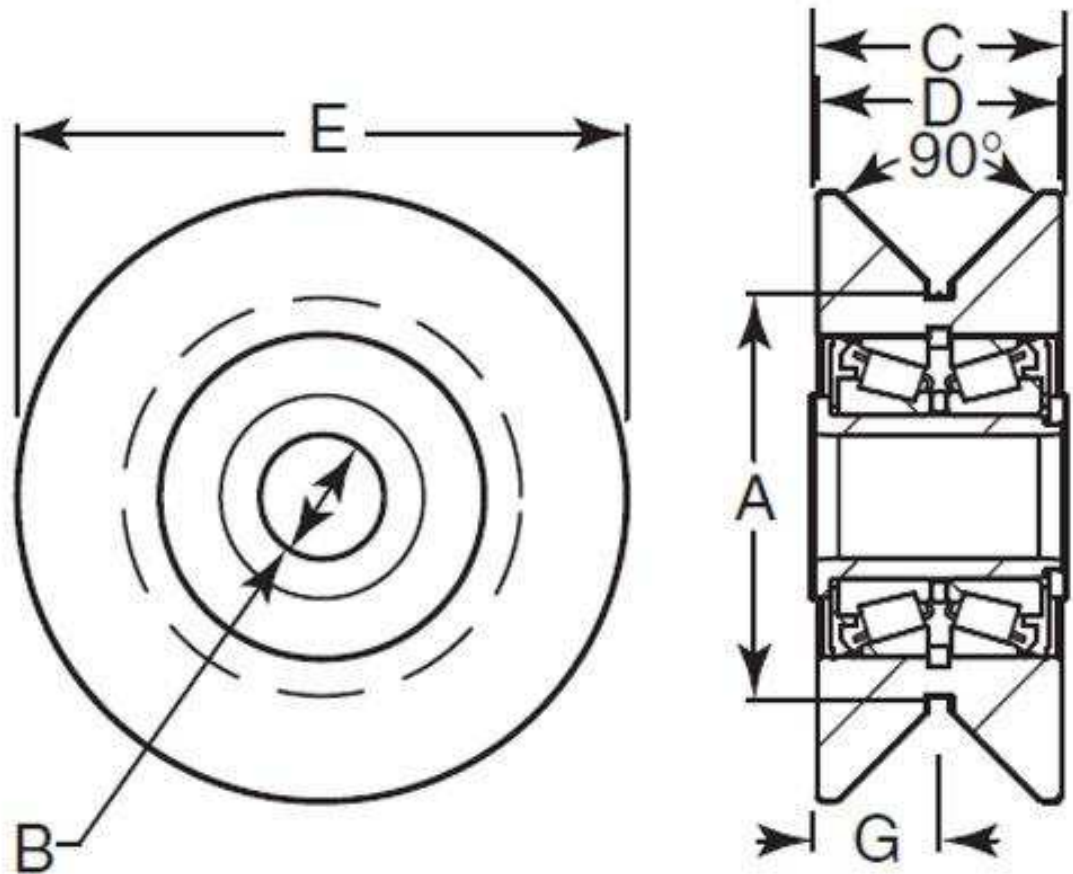
MBA Size Listings are a guide to sizes only and must not be solely relied on for critical design information.

INFORMATION

Indicates item not stocked at time of printing - Please enquire for lead time

E&OE Pricing and all details subject to change without notice - Copyright Miniature Bearings Australia Pty Ltd

MBA Size Listings are a guide to sizes only and must not be solely relied on for critical design information.



Indicates item not stocked at time of printing - Please enquire for lead time

E&OE Pricing and all details subject to change without notice - Copyright Miniature Bearings Australia Pty Ltd

MBA Size Listings are a guide to sizes only and must not be solely relied on for critical design information.

Rollers - V-Groove

Part Number	Diameter (E) mm	Overall Width (C) mm	Bore (B) mm	Groove Diameter (A) mm	Width (D) mm	Centre of Groove (G) mm	Dyanmic Radial Load kg	Dynamic Thrust Load kg	Material
# CCF955RS	95.25 <i>3.750</i>	39.68 <i>1.562</i>	19.050 <i>0.750</i>	63.500 <i>2.500</i>	38.100 <i>1.500</i>	15.875 <i>0.625</i>	3460.000	2070.000	Steel
# CCF960RS	114.30 <i>4.500</i>	40.95 <i>1.612</i>	25.400 <i>1.000</i>	76.200 <i>3.000</i>	44.450 <i>1.750</i>	19.050 <i>0.750</i>	5740.000	5440.000	Steel

Indicates item not stocked at time of printing - Please enquire for lead time

E&OE Pricing and all details subject to change without notice - Copyright Miniature Bearings Australia Pty Ltd

MBA Size Listings are a guide to sizes only and must not be solely relied on for critical design information.

DISTRIBUTED BY

Distributed By:

