



Rollers - Yoke - Cam

10/4/2018

Indicates item not stocked at time of printing - Please enquire for lead time

E&OE Pricing and all details subject to change without notice - Copyright Miniature Bearings Australia Pty Ltd

MBA Size Listings are a guide to sizes only and must not be solely relied on for critical design information.

INFORMATION

Urethane tyred cam yoke rollers for noise reduction, reduced wear and non marking

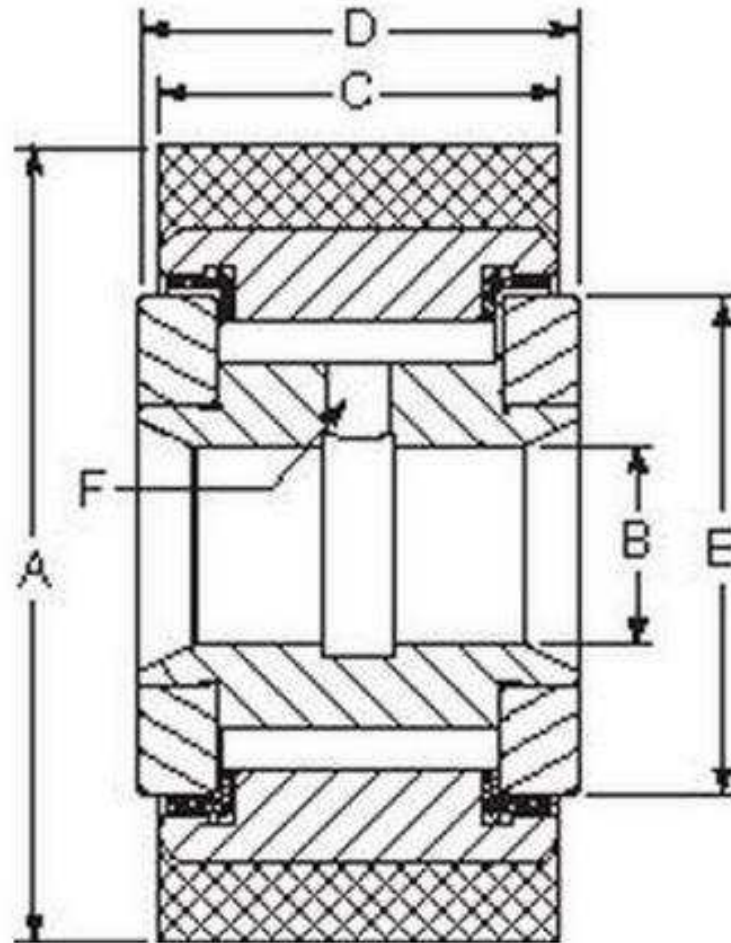
Polycoated shore 80A cast urethane cover

This catalogue to be read in conjunction with information at <http://www.minibearings.com.au//categories/wheels/all/pics/>

Indicates item not stocked at time of printing - Please enquire for lead time

E&OE Pricing and all details subject to change without notice - Copyright Miniature Bearings Australia Pty Ltd

MBA Size Listings are a guide to sizes only and must not be solely relied on for critical design information.



Indicates item not stocked at time of printing - Please enquire for lead time

E&OE Pricing and all details subject to change without notice - Copyright Miniature Bearings Australia Pty Ltd

MBA Size Listings are a guide to sizes only and must not be solely relied on for critical design information.

Rollers - Yoke - Cam

Part Number	Outside Diameter (A) mm	Bore (B) mm	Roller Width (C) mm	Overall Width (D) +0.13/-0.26 mm	Approx Washer OD (E) Ref. mm	Oil Hole Diameter (F) mm
	<i>inches</i>	<i>inches</i>	<i>inches</i>	<i>inches</i>	<i>inches</i>	<i>inches</i>
CCF-1215RS	25.400 <i>1.000</i>	6.350 <i>0.250</i>	12.700 <i>0.500</i>	14.288 <i>0.563</i>	15.9 <i>0.626</i>	2.38 <i>0.094</i>
# CCF-1220RS	31.750 <i>1.250</i>	7.938 <i>0.313</i>	15.875 <i>0.625</i>	17.463 <i>0.688</i>	18.3 <i>0.720</i>	2.38 <i>0.094</i>
CCF-1225RS	38.100 <i>1.500</i>	9.525 <i>0.375</i>	19.050 <i>0.750</i>	20.638 <i>0.813</i>	25.4 <i>1.000</i>	2.38 <i>0.094</i>
# CCF-1230RS	44.450 <i>1.750</i>	11.113 <i>0.438</i>	22.225 <i>0.875</i>	23.813 <i>0.938</i>	28.6 <i>1.126</i>	2.38 <i>0.094</i>
# CCF-1235RS	50.800 <i>2.000</i>	12.700 <i>0.500</i>	25.400 <i>1.000</i>	26.988 <i>1.063</i>	31.8 <i>1.252</i>	2.38 <i>0.094</i>
# CCF-1240RS	57.150 <i>2.250</i>	15.875 <i>0.625</i>	31.750 <i>1.250</i>	33.338 <i>1.313</i>	38.1 <i>1.500</i>	2.38 <i>0.094</i>

Indicates item not stocked at time of printing - Please enquire for lead time

Page 4 of 4

E&OE Pricing and all details subject to change without notice - Copyright Miniature Bearings Australia Pty Ltd
MBA Size Listings are a guide to sizes only and must not be solely relied on for critical design information.

DISTRIBUTED BY

Distributed By:

