



Rollers - Yoke - Crown

10/4/2018

Indicates item not stocked at time of printing - Please enquire for lead time

E&OE Pricing and all details subject to change without notice - Copyright Miniature Bearings Australia Pty Ltd

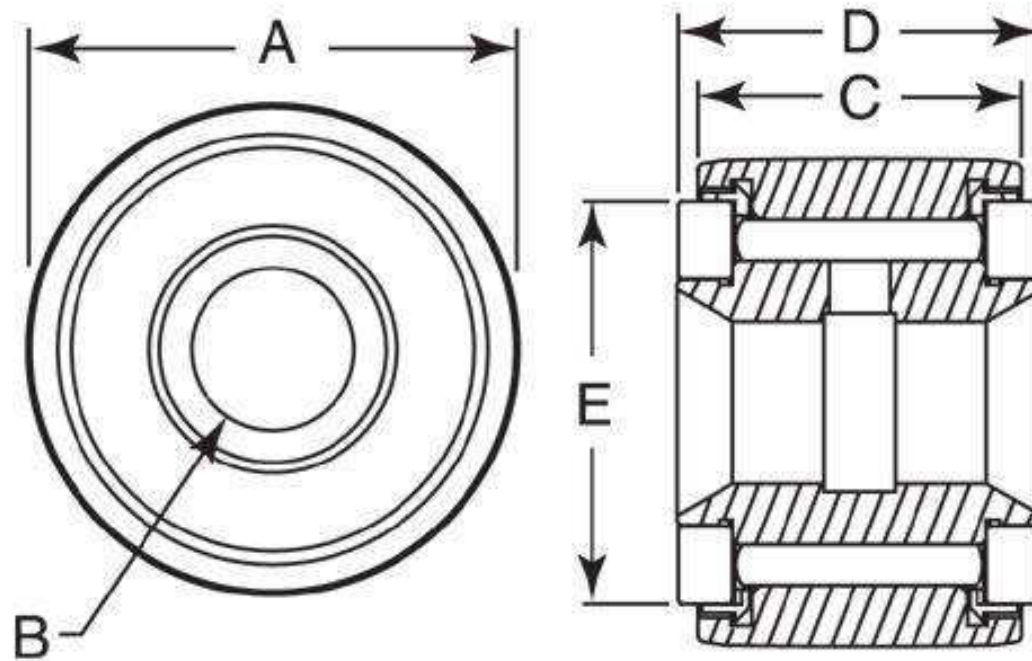
MBA Size Listings are a guide to sizes only and must not be solely relied on for critical design information.

INFORMATION

Indicates item not stocked at time of printing - Please enquire for lead time

E&OE Pricing and all details subject to change without notice - Copyright Miniature Bearings Australia Pty Ltd

MBA Size Listings are a guide to sizes only and must not be solely relied on for critical design information.



Indicates item not stocked at time of printing - Please enquire for lead time

E&OE Pricing and all details subject to change without notice - Copyright Miniature Bearings Australia Pty Ltd

MBA Size Listings are a guide to sizes only and must not be solely relied on for critical design information.

Rollers - Yoke - Crown

Part Number	Diameter (A) mm <i>inches</i>	Overall Width (D) mm <i>inches</i>	Bore (B) mm <i>inches</i>	Width (C) mm <i>inches</i>	Crown Radius deg	Material	E mm <i>inches</i>	Dynamic Load Rating kg	Static Load Rating kg
# CCF875RS	19.050 <i>0.750</i>	14.275 <i>0.562</i>	6.350 <i>0.250</i>	12.700 <i>0.500</i>	10.000	Steel	15.875 <i>0.625</i>	752.963	1873.336
# CCF880RS	22.225 <i>0.875</i>	14.275 <i>0.562</i>	6.350 <i>0.250</i>	12.700 <i>0.500</i>	10.000	Steel	15.875 <i>0.625</i>	752.963	1873.336
# CCF885RS	25.400 <i>1.000</i>	17.450 <i>0.687</i>	7.938 <i>0.313</i>	15.875 <i>0.625</i>	12.000	Steel	18.256 <i>0.719</i>	1009.243	2775.985
# CCF890RS	28.575 <i>1.125</i>	17.450 <i>0.687</i>	7.938 <i>0.313</i>	15.875 <i>0.625</i>	12.000	Steel	18.256 <i>0.719</i>	1009.243	2775.985
# CCF895RS	31.750 <i>1.250</i>	20.625 <i>0.812</i>	9.525 <i>0.375</i>	19.050 <i>0.750</i>	14.000	Steel	25.400 <i>1.000</i>	1782.618	3855.535
# CCF900RS	34.925 <i>1.375</i>	20.625 <i>0.812</i>	9.525 <i>0.375</i>	19.050 <i>0.750</i>	14.000	Steel	25.400 <i>1.000</i>	1782.618	3855.535
# CCF905RS	38.100 <i>1.500</i>	23.800 <i>0.937</i>	11.113 <i>0.438</i>	22.225 <i>0.875</i>	20.000	Steel	28.575 <i>1.125</i>	2195.387	5116.522
# CCF910RS	41.275 <i>1.625</i>	23.800 <i>0.937</i>	11.113 <i>0.438</i>	22.225 <i>0.875</i>	20.000	Steel	28.575 <i>1.125</i>	2195.387	5116.522
# CCF915RS	44.450 <i>1.750</i>	26.975 <i>1.062</i>	12.700 <i>0.500</i>	25.400 <i>1.000</i>	20.000	Steel	31.750 <i>1.250</i>	2896.187	7184.903
# CCF920RS	47.625 <i>1.875</i>	26.975 <i>1.062</i>	12.700 <i>0.500</i>	25.400 <i>1.000</i>	20.000	Steel	31.750 <i>1.250</i>	2896.187	7184.903

Indicates item not stocked at time of printing - Please enquire for lead time

Page 4 of 5

E&OE Pricing and all details subject to change without notice - Copyright Miniature Bearings Australia Pty Ltd

MBA Size Listings are a guide to sizes only and must not be solely relied on for critical design information.

Rollers - Yoke - Crown

Part Number	Diameter (A) mm <i>inches</i>	Overall Width (D) mm <i>inches</i>	Bore (B) mm <i>inches</i>	Width (C) mm <i>inches</i>	Crown Radius deg	Material	E mm <i>inches</i>	Dynamic Load Rating kg	Static Load Rating kg
# CCF925RS	50.800 <i>2.000</i>	33.325 <i>1.312</i>	15.875 <i>0.625</i>	31.750 <i>1.250</i>	24.000	Steel	38.100 <i>1.500</i>	3669.562	9588.943
# CCF930RS	57.150 <i>2.250</i>	33.325 <i>1.312</i>	15.875 <i>0.625</i>	31.750 <i>1.250</i>	24.000	Steel	38.100 <i>1.500</i>	3669.562	9588.943

Indicates item not stocked at time of printing - Please enquire for lead time

E&OE Pricing and all details subject to change without notice - Copyright Miniature Bearings Australia Pty Ltd
MBA Size Listings are a guide to sizes only and must not be solely relied on for critical design information.

DISTRIBUTED BY

Distributed By:

