



Rollers - Yoke - Standard

10/4/2018

Indicates item not stocked at time of printing - Please enquire for lead time

E&OE Pricing and all details subject to change without notice - Copyright Miniature Bearings Australia Pty Ltd

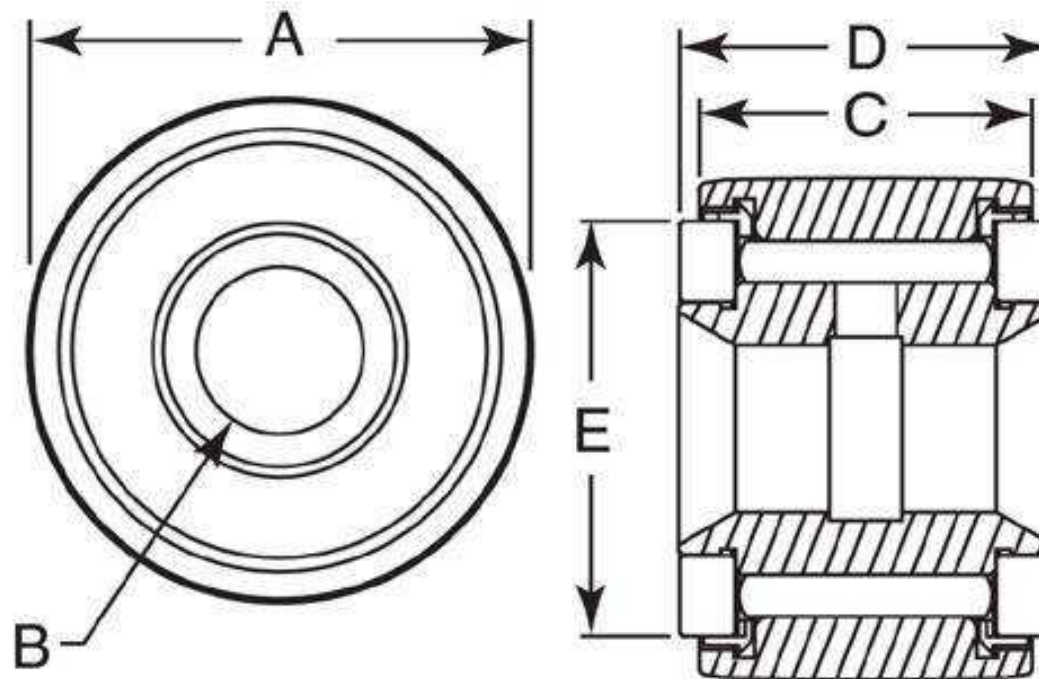
MBA Size Listings are a guide to sizes only and must not be solely relied on for critical design information.

INFORMATION

Indicates item not stocked at time of printing - Please enquire for lead time

E&OE Pricing and all details subject to change without notice - Copyright Miniature Bearings Australia Pty Ltd

MBA Size Listings are a guide to sizes only and must not be solely relied on for critical design information.



Indicates item not stocked at time of printing - Please enquire for lead time

E&OE Pricing and all details subject to change without notice - Copyright Miniature Bearings Australia Pty Ltd

MBA Size Listings are a guide to sizes only and must not be solely relied on for critical design information.

Rollers - Yoke - Standard

Part Number	Diameter (A) mm <i>inches</i>	Overall Width (D) mm <i>inches</i>	Bore (B) mm <i>inches</i>	Width (C) mm <i>inches</i>	Material	E mm <i>inches</i>	Dynamic Load Rating kg	Static Load Rating kg
# CCF430RS	19.050 <i>0.750</i>	14.288 <i>0.563</i>	6.350 <i>0.250</i>	12.700 <i>0.500</i>	Stainless Steel	15.875 <i>0.625</i>	675.853	952.544
# CCF105RS	19.050 <i>0.750</i>	14.288 <i>0.563</i>	6.350 <i>0.250</i>	12.700 <i>0.500</i>	Steel	15.875 <i>0.625</i>	752.963	1873.336
# CCF110RS	22.225 <i>0.875</i>	14.288 <i>0.563</i>	6.350 <i>0.250</i>	12.700 <i>0.500</i>	Steel	15.875 <i>0.625</i>	752.963	1873.336
# CCF440RS	25.400 <i>1.000</i>	17.463 <i>0.688</i>	7.938 <i>0.313</i>	15.875 <i>0.625</i>	Stainless Steel	18.256 <i>0.719</i>	907.185	2267.962
# CCF115RS	25.400 <i>1.000</i>	17.463 <i>0.688</i>	7.938 <i>0.313</i>	15.875 <i>0.625</i>	Steel	18.256 <i>0.719</i>	1009.243	2775.985
# CCF120RS	28.575 <i>1.125</i>	17.463 <i>0.688</i>	7.938 <i>0.313</i>	15.875 <i>0.625</i>	Steel	18.256 <i>0.719</i>	1009.243	2775.985
# CCF450RS	31.750 <i>1.250</i>	20.638 <i>0.813</i>	9.525 <i>0.375</i>	19.050 <i>0.750</i>	Stainless Steel	25.400 <i>1.000</i>	1601.181	3492.661
# CCF125RS	31.750 <i>1.250</i>	20.638 <i>0.813</i>	9.525 <i>0.375</i>	19.050 <i>0.750</i>	Steel	25.400 <i>1.000</i>	1782.618	3855.535
# CCF130RS	34.925 <i>1.375</i>	20.638 <i>0.813</i>	9.525 <i>0.375</i>	19.050 <i>0.750</i>	Steel	25.400 <i>1.000</i>	1782.618	3855.535
# CCF460RS	38.100 <i>1.500</i>	23.813 <i>0.938</i>	11.113 <i>0.438</i>	22.225 <i>0.875</i>	Stainless Steel	28.575 <i>1.125</i>	1973.127	5080.235

Indicates item not stocked at time of printing - Please enquire for lead time

Page 4 of 5

E&OE Pricing and all details subject to change without notice - Copyright Miniature Bearings Australia Pty Ltd
MBA Size Listings are a guide to sizes only and must not be solely relied on for critical design information.

Rollers - Yoke - Standard

Part Number	Diameter (A) mm <i>inches</i>	Overall Width (D) mm <i>inches</i>	Bore (B) mm <i>inches</i>	Width (C) mm <i>inches</i>	Material	E mm <i>inches</i>	Dynamic Load Rating kg	Static Load Rating kg
# CCF135RS	38.100 <i>1.500</i>	23.813 <i>0.938</i>	11.113 <i>0.438</i>	22.225 <i>0.875</i>	Steel	28.575 <i>1.125</i>	2195.387	5116.522
# CCF145RS	44.450 <i>1.750</i>	26.988 <i>1.063</i>	12.700 <i>0.500</i>	25.400 <i>1.000</i>	Steel	31.750 <i>1.250</i>	2896.187	7184.903
# CCF470RS	44.450 <i>1.750</i>	26.988 <i>1.063</i>	12.700 <i>0.500</i>	25.400 <i>1.000</i>	Stainless Steel	31.750 <i>1.250</i>	2599.084	6713.167
# CCF150RS	47.625 <i>1.875</i>	26.988 <i>1.063</i>	12.700 <i>0.500</i>	25.400 <i>1.000</i>	Steel	31.750 <i>1.250</i>	2896.187	7184.903
# CCF155RS	50.800 <i>2.000</i>	33.338 <i>1.313</i>	15.875 <i>0.625</i>	31.750 <i>1.250</i>	Steel	38.100 <i>1.500</i>	3669.562	9588.943
# CCF160RS	57.150 <i>2.250</i>	33.338 <i>1.313</i>	15.875 <i>0.625</i>	31.750 <i>1.250</i>	Steel	38.100 <i>1.500</i>	3669.562	9588.943
# CCF165RS	63.500 <i>2.500</i>	39.688 <i>1.563</i>	19.050 <i>0.750</i>	38.100 <i>1.500</i>	Steel	44.450 <i>1.750</i>	5316.103	14923.189
# CCF170RS	76.200 <i>3.000</i>	46.038 <i>1.813</i>	25.400 <i>1.000</i>	44.450 <i>1.750</i>	Steel	57.150 <i>2.250</i>	7130.472	22597.972

Indicates item not stocked at time of printing - Please enquire for lead time

Page 5 of 5

E&OE Pricing and all details subject to change without notice - Copyright Miniature Bearings Australia Pty Ltd
MBA Size Listings are a guide to sizes only and must not be solely relied on for critical design information.

DISTRIBUTED BY

Distributed By:

