



Screws - Self Drilling - Hex Head - With Washers

10/4/2018

Indicates item not stocked at time of printing - Please enquire for lead time

E&OE Pricing and all details subject to change without notice - Copyright Miniature Bearings Australia Pty Ltd

MBA Size Listings are a guide to sizes only and must not be solely relied on for critical design information.

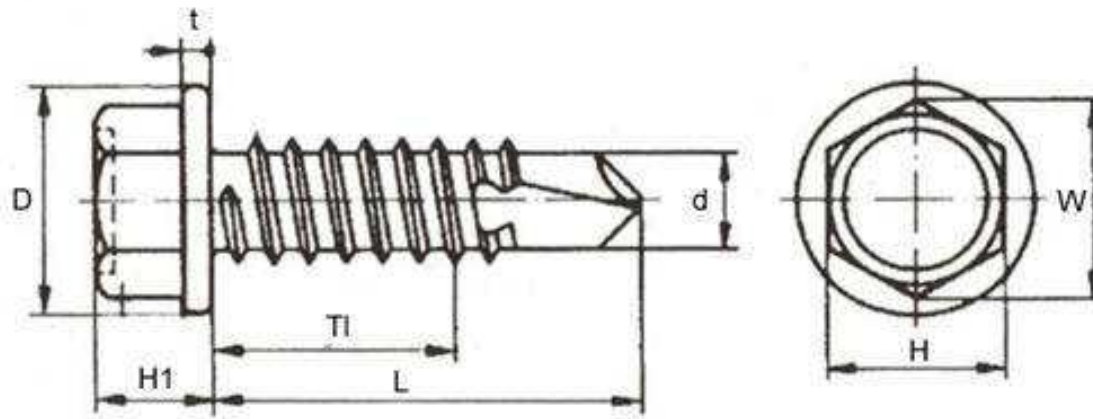
INFORMATION

With bonded neoprene washer. Galvanised for corrosion resistance.

Indicates item not stocked at time of printing - Please enquire for lead time

E&OE Pricing and all details subject to change without notice - Copyright Miniature Bearings Australia Pty Ltd

MBA Size Listings are a guide to sizes only and must not be solely relied on for critical design information.



Indicates item not stocked at time of printing - Please enquire for lead time

E&OE Pricing and all details subject to change without notice - Copyright Miniature Bearings Australia Pty Ltd

MBA Size Listings are a guide to sizes only and must not be solely relied on for critical design information.

Screws - Self Drilling - Hex Head - With Washers

Part Number	Thread	Length mm	Pack Size
		<i>inches</i>	
# SD048-016-H-CZ	10-16 (4.8mm)	15.875	1000
		<i>0.625</i>	
# SD048-019-H-CZ	10-16 (4.8mm)	19.050	100
		<i>0.750</i>	
# SD055-019-H-CZ	12-14 (5.5mm)	19.050	100
		<i>0.750</i>	
# SD055-025-H-CZ	12-14 (5.5mm)	25.400	100
		<i>1.000</i>	
# SD055-038-H-CZ	12-14 (5.5mm)	38.100	100
		<i>1.500</i>	
# SD055-038-H-CZ-PK250	12-14 (5.5mm)	38.100	250
		<i>1.500</i>	
# SD055-051-H-CZ	12-14 (5.5mm)	50.800	100
		<i>2.000</i>	
# SD064-019-H-CZ	1/4-14 (6.35mm)	19.050	100
		<i>0.750</i>	
# SD064-025-H-CZ	1/4-14 (6.35mm)	25.400	100
		<i>1.000</i>	

Indicates item not stocked at time of printing - Please enquire for lead time

Page 4 of 4

E&OE Pricing and all details subject to change without notice - Copyright Miniature Bearings Australia Pty Ltd
MBA Size Listings are a guide to sizes only and must not be solely relied on for critical design information.

DISTRIBUTED BY

Distributed By:

