



Screws - Self Tapping - Countersunk - Philips - Zinc Plated

10/4/2018

Indicates item not stocked at time of printing - Please enquire for lead time

E&OE Pricing and all details subject to change without notice - Copyright Miniature Bearings Australia Pty Ltd

MBA Size Listings are a guide to sizes only and must not be solely relied on for critical design information.

Page 1 of 8

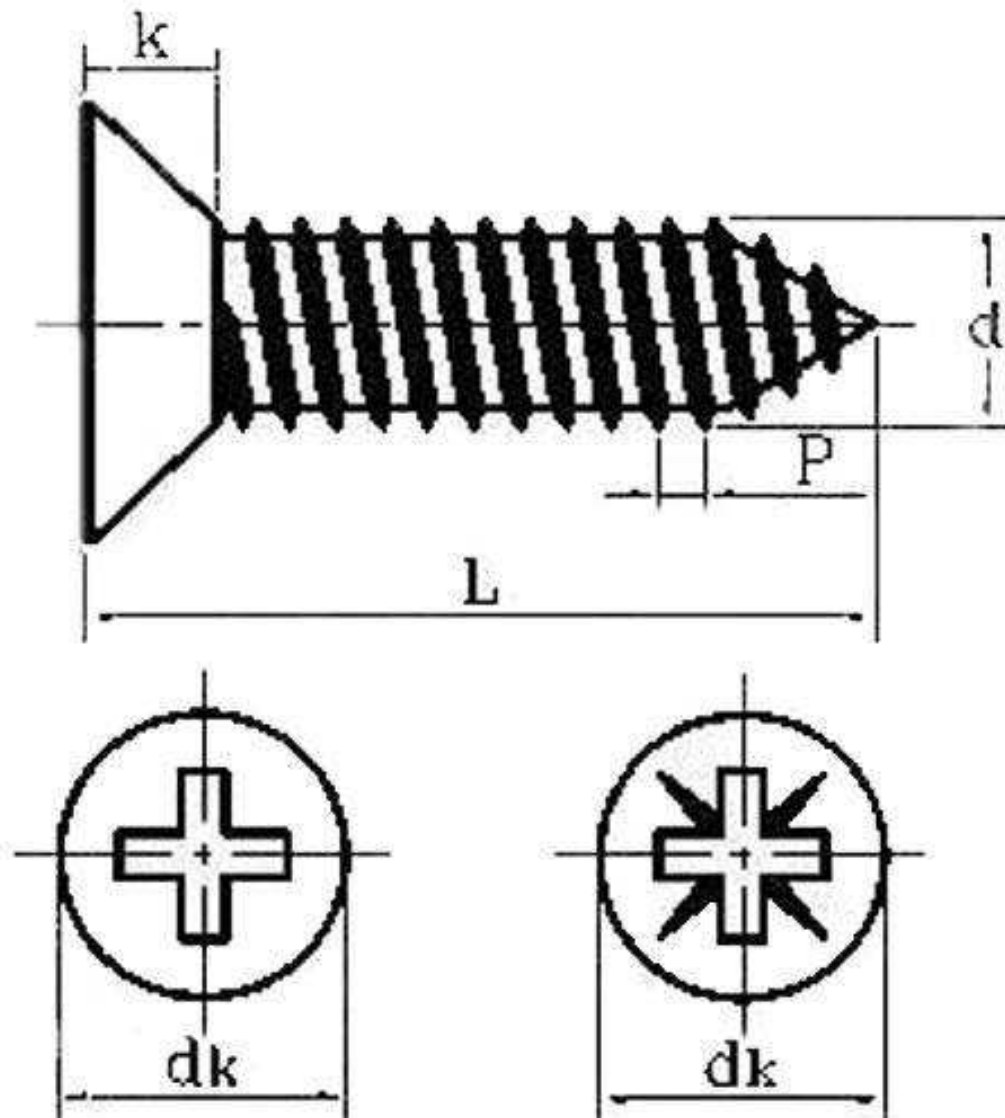
INFORMATION

Countersunk screws length includes head. ie, the full overall length of the screw.

Indicates item not stocked at time of printing - Please enquire for lead time

E&OE Pricing and all details subject to change without notice - Copyright Miniature Bearings Australia Pty Ltd

MBA Size Listings are a guide to sizes only and must not be solely relied on for critical design information.



Indicates item not stocked at time of printing - Please enquire for lead time

E&OE Pricing and all details subject to change without notice - Copyright Miniature Bearings Australia Pty Ltd
MBA Size Listings are a guide to sizes only and must not be solely relied on for critical design information.

Screws - Self Tapping - Countersunk - Philips - Zinc Plated

Part Number	Approx Dia mm <i>inches</i>	Gauge mm <i>inches</i>	Length (L) mm <i>inches</i>	-	Material	Type
SKT0185-006-PH-CZ	1.85 <i>0.073</i>	1 <i>0.039</i>	6.4 <i>0.252</i>		Zinc Plated Steel	Countersunk / Philips
SKT0218-007-PH-CZ	2.18 <i>0.086</i>	2 <i>0.079</i>	7.9 <i>0.311</i>		Zinc Plated Steel	Countersunk / Philips
SKT0218-013-PH-CZ	2.18 <i>0.086</i>	2 <i>0.079</i>	12.7 <i>0.500</i>		Zinc Plated Steel	Countersunk / Philips
SKT0252-019-PH-CZ	2.52 <i>0.099</i>	3 <i>0.118</i>	19.1 <i>0.752</i>		Zinc Plated Steel	Countersunk / Philips
# SKT0285-006-PH-CZ	2.85 <i>0.112</i>	4 <i>0.157</i>	6.4 <i>0.252</i>		Zinc Plated Steel	Countersunk / Philips
SKT0285-010-PH-CZ	2.85 <i>0.112</i>	4 <i>0.157</i>	9.5 <i>0.374</i>		Zinc Plated Steel	Countersunk / Philips
# SKT0285-013-PH-CZ	2.85 <i>0.112</i>	4 <i>0.157</i>	12.7 <i>0.500</i>		Zinc Plated Steel	Countersunk / Philips
# SKT0285-016-PH-CZ	2.85 <i>0.112</i>	4 <i>0.157</i>	15.9 <i>0.626</i>		Zinc Plated Steel	Countersunk / Philips
# SKT0285-019-PH-CZ	2.85 <i>0.112</i>	4 <i>0.157</i>	19 <i>0.748</i>		Zinc Plated Steel	Countersunk / Philips
# SKT0285-025-PH-CZ	2.85 <i>0.112</i>	4 <i>0.157</i>	25.4 <i>1.000</i>		Zinc Plated Steel	Countersunk / Philips

Indicates item not stocked at time of printing - Please enquire for lead time

E&OE Pricing and all details subject to change without notice - Copyright Miniature Bearings Australia Pty Ltd
MBA Size Listings are a guide to sizes only and must not be solely relied on for critical design information.

Screws - Self Tapping - Countersunk - Philips - Zinc Plated

Part Number	Approx Dia mm <i>inches</i>	Gauge mm <i>inches</i>	Length (L) mm <i>inches</i>	-	Material	Type
# SKT0318-016-PH-CZ	3.18 <i>0.125</i>	5 <i>0.197</i>	15.9 <i>0.626</i>		Zinc Plated Steel	Countersunk / Philips
SKT0318-019-PH-CZ	3.18 <i>0.125</i>	5 <i>0.197</i>	19.1 <i>0.752</i>		Zinc Plated Steel	Countersunk / Philips
SKT0350-010-PH-CZ	3.5 <i>0.138</i>	6 <i>0.236</i>	9.5 <i>0.374</i>		Zinc Plated Steel	Countersunk / Philips
# SKT0350-013-PH-CZ	3.5 <i>0.138</i>	6 <i>0.236</i>	12.7 <i>0.500</i>		Zinc Plated Steel	Countersunk / Philips
# SKT0350-016-PH-CZ	3.5 <i>0.138</i>	6 <i>0.236</i>	15.9 <i>0.626</i>		Zinc Plated Steel	Countersunk / Philips
# SKT0350-019-PH-CZ	3.5 <i>0.138</i>	6 <i>0.236</i>	19 <i>0.748</i>		Zinc Plated Steel	Countersunk / Philips
# SKT0350-025-PH-CZ	3.5 <i>0.138</i>	6 <i>0.236</i>	25.4 <i>1.000</i>		Zinc Plated Steel	Countersunk / Philips
# SKT0350-032-PH-CZ	3.5 <i>0.138</i>	6 <i>0.236</i>	31.8 <i>1.252</i>		Zinc Plated Steel	Countersunk / Philips
# SKT0350-038-PH-CZ	3.5 <i>0.138</i>	6 <i>0.236</i>	38.1 <i>1.500</i>		Zinc Plated Steel	Countersunk / Philips
# SKT0417-010-PH-CZ	4.17 <i>0.164</i>	8 <i>0.315</i>	9.5 <i>0.374</i>		Zinc Plated Steel	Countersunk / Philips

Indicates item not stocked at time of printing - Please enquire for lead time

Page 5 of 8

E&OE Pricing and all details subject to change without notice - Copyright Miniature Bearings Australia Pty Ltd
MBA Size Listings are a guide to sizes only and must not be solely relied on for critical design information.

Screws - Self Tapping - Countersunk - Philips - Zinc Plated

Part Number	Approx Dia mm <i>inches</i>	Gauge mm <i>inches</i>	Length (L) mm <i>inches</i>	-	Material	Type
# SKT0417-013-PH-CZ	4.17 <i>0.164</i>	8 <i>0.315</i>	12.7 <i>0.500</i>		Zinc Plated Steel	Countersunk / Philips
# SKT0417-016-PH-CZ	4.17 <i>0.164</i>	8 <i>0.315</i>	15.9 <i>0.626</i>		Zinc Plated Steel	Countersunk / Philips
# SKT0417-019-PH-CZ	4.17 <i>0.164</i>	8 <i>0.315</i>	19 <i>0.748</i>		Zinc Plated Steel	Countersunk / Philips
# SKT0417-025-PH-CZ	4.17 <i>0.164</i>	8 <i>0.315</i>	25.4 <i>1.000</i>		Zinc Plated Steel	Countersunk / Philips
# SKT0417-032-PH-CZ	4.17 <i>0.164</i>	8 <i>0.315</i>	31.8 <i>1.252</i>		Zinc Plated Steel	Countersunk / Philips
# SKT0417-038-PH-CZ	4.17 <i>0.164</i>	8 <i>0.315</i>	38.1 <i>1.500</i>		Zinc Plated Steel	Countersunk / Philips
# SKT0417-045-PH-CZ	4.17 <i>0.164</i>	8 <i>0.315</i>	44.5 <i>1.752</i>		Zinc Plated Steel	Countersunk / Philips
# SKT0417-051-PH-CZ	4.17 <i>0.164</i>	8 <i>0.315</i>	50.8 <i>2.000</i>		Zinc Plated Steel	Countersunk / Philips
# SKT0476-013-PH-CZ	4.76 <i>0.187</i>	10 or 3/16	12.7 <i>0.500</i>		Zinc Plated Steel	Countersunk / Philips
# SKT0476-016-PH-CZ	4.76 <i>0.187</i>	10 or 3/16	15.9 <i>0.626</i>		Zinc Plated Steel	Countersunk / Philips

Indicates item not stocked at time of printing - Please enquire for lead time

E&OE Pricing and all details subject to change without notice - Copyright Miniature Bearings Australia Pty Ltd

MBA Size Listings are a guide to sizes only and must not be solely relied on for critical design information.

Screws - Self Tapping - Countersunk - Philips - Zinc Plated

Part Number	Approx Dia mm <i>inches</i>	Gauge mm <i>inches</i>	Length (L) mm <i>inches</i>	-	Material	Type
# SKT0476-019-PH-CZ	4.76 <i>0.187</i>	10 or 3/16	19 <i>0.748</i>		Zinc Plated Steel	Countersunk / Philips
# SKT0476-025-PH-CZ	4.76 <i>0.187</i>	10 or 3/16	25.4 <i>1.000</i>		Zinc Plated Steel	Countersunk / Philips
# SKT0476-032-PH-CZ	4.76 <i>0.187</i>	10 or 3/16	31.8 <i>1.252</i>		Zinc Plated Steel	Countersunk / Philips
# SKT0476-038-PH-CZ	4.76 <i>0.187</i>	10 or 3/16	38.1 <i>1.500</i>		Zinc Plated Steel	Countersunk / Philips
# SKT0476-045-PH-CZ	4.76 <i>0.187</i>	10 or 3/16	44.5 <i>1.752</i>		Zinc Plated Steel	Countersunk / Philips
# SKT0476-051-PH-CZ	4.76 <i>0.187</i>	10 or 3/16	50.8 <i>2.000</i>		Zinc Plated Steel	Countersunk / Philips
# SKT0540-016-PH-CZ	5.4 <i>0.213</i>	12 <i>0.472</i>	15.9 <i>0.626</i>		Zinc Plated Steel	Countersunk / Philips
# SKT0540-019-PH-CZ	5.4 <i>0.213</i>	12 <i>0.472</i>	19 <i>0.748</i>		Zinc Plated Steel	Countersunk / Philips
# SKT0540-025-PH-CZ	5.4 <i>0.213</i>	12 <i>0.472</i>	25.4 <i>1.000</i>		Zinc Plated Steel	Countersunk / Philips
# SKT0540-032-PH-CZ	5.4 <i>0.213</i>	12 <i>0.472</i>	31.8 <i>1.252</i>		Zinc Plated Steel	Countersunk / Philips

Indicates item not stocked at time of printing - Please enquire for lead time

E&OE Pricing and all details subject to change without notice - Copyright Miniature Bearings Australia Pty Ltd

MBA Size Listings are a guide to sizes only and must not be solely relied on for critical design information.

Screws - Self Tapping - Countersunk - Philips - Zinc Plated

Part Number	Approx Dia mm <i>inches</i>	Gauge mm <i>inches</i>	Length (L) mm <i>inches</i>	-	Material	Type
# SKT0540-038-PH-CZ	5.4 <i>0.213</i>	12 <i>0.472</i>	38.1 <i>1.500</i>		Zinc Plated Steel	Countersunk / Philips
# SKT0540-045-PH-CZ	5.4 <i>0.213</i>	12 <i>0.472</i>	44.5 <i>1.752</i>		Zinc Plated Steel	Countersunk / Philips
# SKT0540-051-PH-CZ	5.4 <i>0.213</i>	12 <i>0.472</i>	50.8 <i>2.000</i>		Zinc Plated Steel	Countersunk / Philips
# SKT0635-013-PH-CZ	6.35 <i>0.250</i>	14 <i>0.551</i>	12.7 <i>0.500</i>		Zinc Plated Steel	Countersunk / Philips
# SKT0635-016-PH-CZ	6.35 <i>0.250</i>	14 <i>0.551</i>	15.9 <i>0.626</i>		Zinc Plated Steel	Countersunk / Philips
# SKT0635-019-PH-CZ	6.35 <i>0.250</i>	14 <i>0.551</i>	19 <i>0.748</i>		Zinc Plated Steel	Countersunk / Philips
# SKT0635-025-PH-CZ	6.35 <i>0.250</i>	14 <i>0.551</i>	25.4 <i>1.000</i>		Zinc Plated Steel	Countersunk / Philips

Indicates item not stocked at time of printing - Please enquire for lead time

E&OE Pricing and all details subject to change without notice - Copyright Miniature Bearings Australia Pty Ltd

MBA Size Listings are a guide to sizes only and must not be solely relied on for critical design information.

DISTRIBUTED BY

Distributed By:

