



Screws - Thumb - Knurled - Washer Face - Aluminium

10/4/2018

Indicates item not stocked at time of printing - Please enquire for lead time

E&OE Pricing and all details subject to change without notice - Copyright Miniature Bearings Australia Pty Ltd

MBA Size Listings are a guide to sizes only and must not be solely relied on for critical design information.

Page 1 of 4

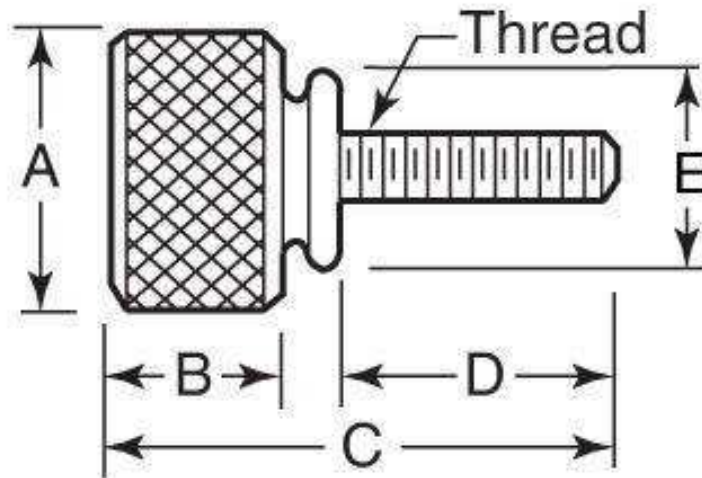
INFORMATION

Knurled head aluminum thumb screws with an integral washer

Indicates item not stocked at time of printing - Please enquire for lead time

E&OE Pricing and all details subject to change without notice - Copyright Miniature Bearings Australia Pty Ltd

MBA Size Listings are a guide to sizes only and must not be solely relied on for critical design information.



Indicates item not stocked at time of printing - Please enquire for lead time

E&OE Pricing and all details subject to change without notice - Copyright Miniature Bearings Australia Pty Ltd

MBA Size Listings are a guide to sizes only and must not be solely relied on for critical design information.

Screws - Thumb - Knurled - Washer Face - Aluminium

Part Number	Thread Size	Thread Length (D) mm	Overall Length (C) mm	Head Diameter (A) mm	Washer Diameter (E) mm	Head Height (B) mm	Finish	Pitch mm
		<i>inches</i>	<i>inches</i>	<i>inches</i>	<i>inches</i>	<i>inches</i>		<i>inches</i>
# THS035C-011-K-AL-WF	6-32 UNC (3.5mm)	11.113 <i>0.438</i>	19.05 <i>0.750</i>	9.525 <i>0.375</i>	9.525 <i>0.375</i>	4.76 <i>0.187</i>	Plain	1.270 <i>0.050</i>
# THS035C-013-K-AL-WF	6-32 UNC (3.5mm)	12.700 <i>0.500</i>	20.64 <i>0.813</i>	9.525 <i>0.375</i>	9.525 <i>0.375</i>	4.76 <i>0.187</i>	Plain	1.270 <i>0.050</i>
# THS042C-016-K-AL-WF	8-32 UNC (4.166mm)	15.875 <i>0.625</i>	23.81 <i>0.937</i>	11.113 <i>0.438</i>	9.525 <i>0.375</i>	4.76 <i>0.187</i>	Plain	1.270 <i>0.050</i>
# THS064C-010-K-AL-WF	1/4-20 UNC (6.35mm)	9.525 <i>0.375</i>	19.05 <i>0.750</i>	12.700 <i>0.500</i>	9.525 <i>0.375</i>	6.35 <i>0.250</i>	Plain	1.270 <i>0.050</i>
# THS064C-013-K-AL-WF	1/4-20 UNC (6.35mm)	12.700 <i>0.500</i>	22.23 <i>0.875</i>	12.700 <i>0.500</i>	9.525 <i>0.375</i>	6.35 <i>0.250</i>	Plain	1.270 <i>0.050</i>
# THS064C-019-K-AL-WF	1/4-20 UNC (6.35mm)	19.050 <i>0.750</i>	28.58 <i>1.125</i>	12.700 <i>0.500</i>	9.525 <i>0.375</i>	6.35 <i>0.250</i>	Plain	1.270 <i>0.050</i>

Indicates item not stocked at time of printing - Please enquire for lead time

Page 4 of 4

E&OE Pricing and all details subject to change without notice - Copyright Miniature Bearings Australia Pty Ltd

MBA Size Listings are a guide to sizes only and must not be solely relied on for critical design information.

DISTRIBUTED BY

Distributed By:

