



# **Screws - Thumb - Knurled - Washer Face - Stainless Steel**

10/4/2018

# Indicates item not stocked at time of printing - Please enquire for lead time

E&OE Pricing and all details subject to change without notice - Copyright Miniature Bearings Australia Pty Ltd

MBA Size Listings are a guide to sizes only and must not be solely relied on for critical design information.

Page 1 of 5

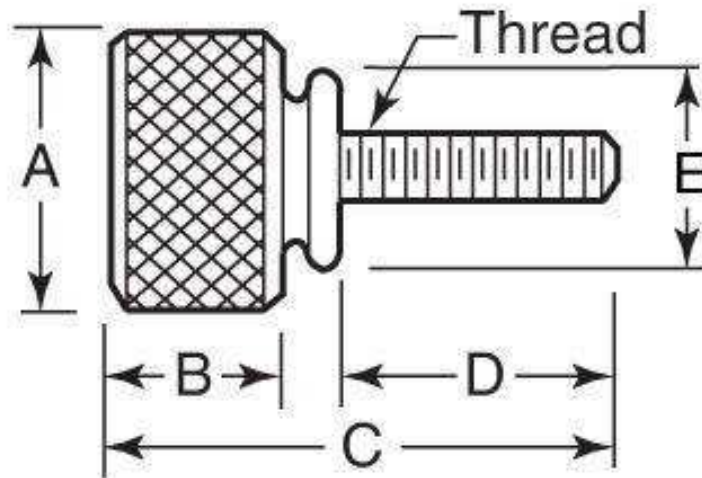
## INFORMATION

Knurled head stainless steel thumb screws with an integral washer

# Indicates item not stocked at time of printing - Please enquire for lead time

E&OE Pricing and all details subject to change without notice - Copyright Miniature Bearings Australia Pty Ltd

MBA Size Listings are a guide to sizes only and must not be solely relied on for critical design information.



# Indicates item not stocked at time of printing - Please enquire for lead time

E&OE Pricing and all details subject to change without notice - Copyright Miniature Bearings Australia Pty Ltd

MBA Size Listings are a guide to sizes only and must not be solely relied on for critical design information.

## Screws - Thumb - Knurled - Washer Face - Stainless Steel

Part Number	Thread Size	Thread Length (D) mm	Overall Length (C) mm	Head Diameter (A) mm	Washer Diameter (E) mm	Head Height (B) mm	Finish	Pitch mm
		<i>inches</i>	<i>inches</i>	<i>inches</i>	<i>inches</i>	<i>inches</i>		<i>inches</i>
# THS028C-008-K-SS-WF	4-40 UNC (2.845mm)	7.938	15.88	9.525	9.525	4.76	Plain	0.635
		<i>0.313</i>	<i>0.625</i>	<i>0.375</i>	<i>0.375</i>	<i>0.187</i>		<i>0.025</i>
# THS028C-010-K-SS-WF	4-40 UNC (2.845mm)	9.525	17.46	9.525	9.525	4.76	Plain	0.635
		<i>0.375</i>	<i>0.687</i>	<i>0.375</i>	<i>0.375</i>	<i>0.187</i>		<i>0.025</i>
# THS028C-011-K-SS-WF	4-40 UNC (2.845mm)	11.113	19.05	9.525	9.525	4.76	Plain	0.635
		<i>0.438</i>	<i>0.750</i>	<i>0.375</i>	<i>0.375</i>	<i>0.187</i>		<i>0.025</i>
# THS035C-010-K-SS-WF	6-32 UNC (3.5mm)	9.525	17.46	9.525	9.525	4.76	Plain	0.794
		<i>0.375</i>	<i>0.687</i>	<i>0.375</i>	<i>0.375</i>	<i>0.187</i>		<i>0.031</i>
# THS035C-011-K-SS-WF	6-32 UNC (3.5mm)	11.113	19.05	9.525	9.525	4.76	Plain	0.794
		<i>0.438</i>	<i>0.750</i>	<i>0.375</i>	<i>0.375</i>	<i>0.187</i>		<i>0.031</i>
# THS035C-013-K-SS-WF	6-32 UNC (3.5mm)	12.700	20.64	9.525	9.525	4.76	Plain	0.794
		<i>0.500</i>	<i>0.813</i>	<i>0.375</i>	<i>0.375</i>	<i>0.187</i>		<i>0.031</i>
THS042C-010-K-SS-WF	8-32 UNC (4.166mm)	9.525	17.46	11.113	9.525	4.76	Plain	0.794
		<i>0.375</i>	<i>0.687</i>	<i>0.438</i>	<i>0.375</i>	<i>0.187</i>		<i>0.031</i>
# THS042C-013-K-SS-WF	8-32 UNC (4.166mm)	12.700	20.64	11.113	9.525	4.76	Plain	0.794
		<i>0.500</i>	<i>0.813</i>	<i>0.438</i>	<i>0.375</i>	<i>0.187</i>		<i>0.031</i>
# THS042C-016-K-SS-WF	8-32 UNC (4.166mm)	15.875	23.81	11.113	9.525	4.76	Plain	0.794
		<i>0.625</i>	<i>0.937</i>	<i>0.438</i>	<i>0.375</i>	<i>0.187</i>		<i>0.031</i>

# Indicates item not stocked at time of printing - Please enquire for lead time

Page 4 of 5

E&OE Pricing and all details subject to change without notice - Copyright Miniature Bearings Australia Pty Ltd

MBA Size Listings are a guide to sizes only and must not be solely relied on for critical design information.

## Screws - Thumb - Knurled - Washer Face - Stainless Steel

Part Number	Thread Size	Thread Length (D) mm	Overall Length (C) mm	Head Diameter (A) mm	Washer Diameter (E) mm	Head Height (B) mm	Finish	Pitch mm
		<i>inches</i>	<i>inches</i>	<i>inches</i>	<i>inches</i>	<i>inches</i>		<i>inches</i>
# THS048F-010-K-SS-WF	10-32 UNF (4.762mm)	9.525	17.46	11.113	9.525	4.76	Plain	0.794
		<i>0.375</i>	<i>0.687</i>	<i>0.438</i>	<i>0.375</i>	<i>0.187</i>		<i>0.031</i>
# THS048F-013-K-SS-WF	10-32 UNF (4.762mm)	12.700	20.64	11.113	9.525	4.76	Plain	0.794
		<i>0.500</i>	<i>0.813</i>	<i>0.438</i>	<i>0.375</i>	<i>0.187</i>		<i>0.031</i>
# THS048F-016-K-SS-WF	10-32 UNF (4.762mm)	15.875	23.81	11.113	9.525	4.76	Plain	0.794
		<i>0.625</i>	<i>0.937</i>	<i>0.438</i>	<i>0.375</i>	<i>0.187</i>		<i>0.031</i>
# THS064C-010-K-SS-WF	1/4-20 UNC (6.35mm)	9.525	19.05	12.700	9.525	6.35	Plain	1.270
		<i>0.375</i>	<i>0.750</i>	<i>0.500</i>	<i>0.375</i>	<i>0.250</i>		<i>0.050</i>
THS064C-013-K-SS-WF	1/4-20 UNC (6.35mm)	12.700	22.23	12.700	9.525	6.35	Plain	1.270
		<i>0.500</i>	<i>0.875</i>	<i>0.500</i>	<i>0.375</i>	<i>0.250</i>		<i>0.050</i>
# THS064C-016-K-SS-WF	1/4-20 UNC (6.35mm)	15.875	25.40	12.700	9.525	6.35	Plain	1.270
		<i>0.625</i>	<i>1.000</i>	<i>0.500</i>	<i>0.375</i>	<i>0.250</i>		<i>0.050</i>
# THS064C-019-K-SS-WF	1/4-20 UNC (6.35mm)	19.050	28.58	12.700	9.525	6.35	Plain	1.270
		<i>0.750</i>	<i>1.125</i>	<i>0.500</i>	<i>0.375</i>	<i>0.250</i>		<i>0.050</i>

# Indicates item not stocked at time of printing - Please enquire for lead time

Page 5 of 5

E&OE Pricing and all details subject to change without notice - Copyright Miniature Bearings Australia Pty Ltd

MBA Size Listings are a guide to sizes only and must not be solely relied on for critical design information.

DISTRIBUTED BY

Distributed By:

