



Sealing Plugs - Stainless Sleeve with Hardened Ball

10/4/2018

Indicates item not stocked at time of printing - Please enquire for lead time

E&OE Pricing and all details subject to change without notice - Copyright Miniature Bearings Australia Pty Ltd

MBA Size Listings are a guide to sizes only and must not be solely relied on for critical design information.

INFORMATION

The sealing plug is a safe, quick, leakproof and low cost method for sealing cross-drilled holes. It ensures peak performance with a comfortable safety margin even in extreme applications.

Sleeve: Stainless Steel DIN 1.4305, AISI 303

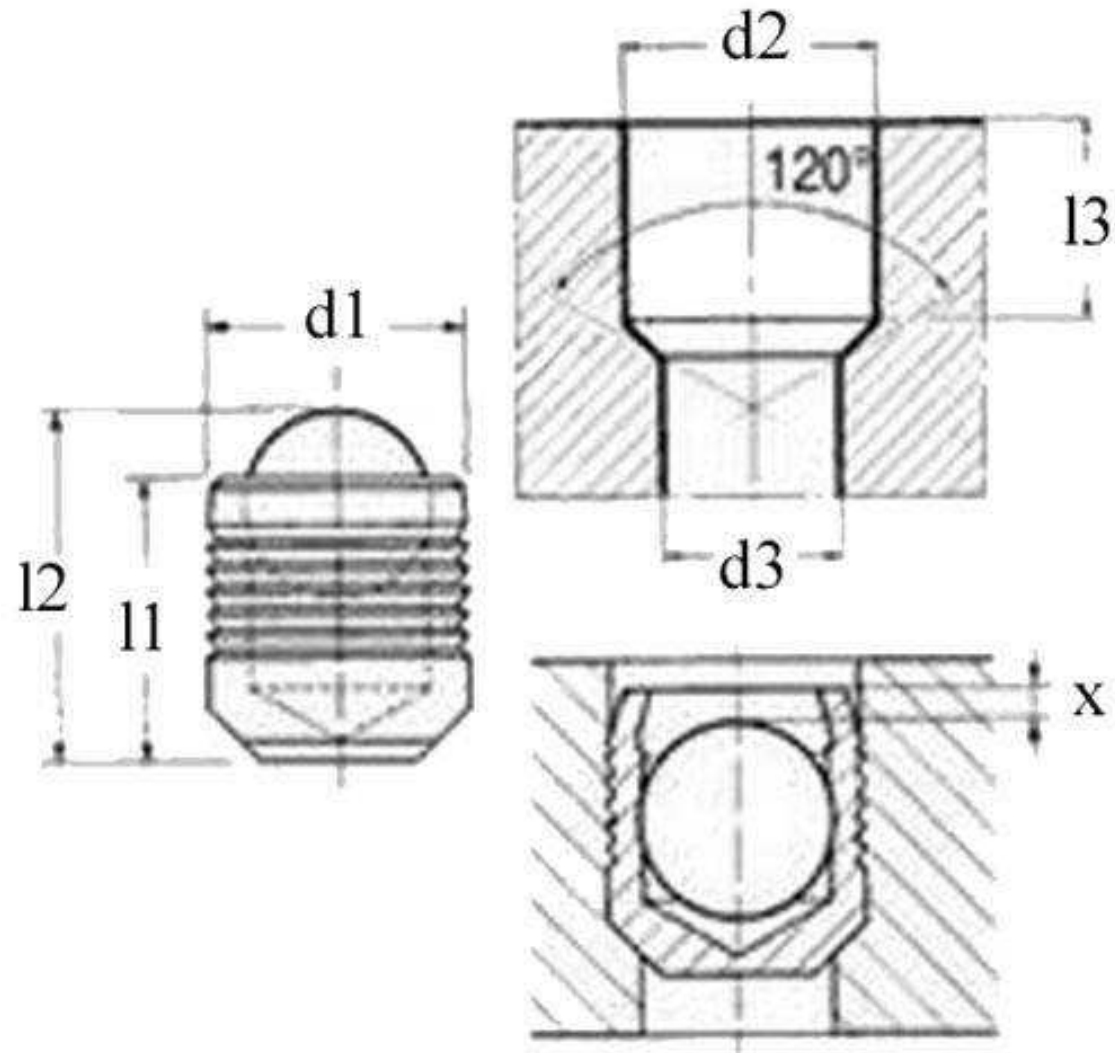
Ball: Bearing Steel, Heat Treated

Hardness: HB = 220

Indicates item not stocked at time of printing - Please enquire for lead time

E&OE Pricing and all details subject to change without notice - Copyright Miniature Bearings Australia Pty Ltd

MBA Size Listings are a guide to sizes only and must not be solely relied on for critical design information.



Indicates item not stocked at time of printing - Please enquire for lead time

E&OE Pricing and all details subject to change without notice - Copyright Miniature Bearings Australia Pty Ltd

MBA Size Listings are a guide to sizes only and must not be solely relied on for critical design information.

Sealing Plugs - Stainless Sleeve with Hardened Ball

Part Number	Outside Diameter (d1) mm	Sleeve Length (I1) mm	Overall Length incl Ball (I2) mm	Hole Dia. (d2) mm	d3 Max. mm	I3 Min. mm	X (+/- 0.2) mm
	<i>inches</i>	<i>inches</i>	<i>inches</i>	<i>inches</i>	<i>inches</i>	<i>inches</i>	<i>inches</i>
# MB700-030	3.000 <i>0.118</i>	3.6 <i>0.142</i>	4.6 <i>0.181</i>	3.0 - 3.1	2.2 <i>0.087</i>	3.4 <i>0.134</i>	0.4 <i>0.016</i>
# CVP-156RS	3.967 <i>0.156</i>	4.1 <i>0.161</i>	5.3 <i>0.209</i>	3.967 <i>0.156</i>	3.3 <i>0.130</i>	3.8 <i>0.150</i>	
# MB700-040	4.000 <i>0.157</i>	4.0 <i>0.157</i>	5.2 <i>0.205</i>	4.0 - 4.1	3.3 <i>0.130</i>	3.8 <i>0.150</i>	0.2 <i>0.008</i>
# CVP-187RS	4.763 <i>0.188</i>	5.6 <i>0.220</i>	6.8 <i>0.268</i>	4.763 <i>0.188</i>	4.1 <i>0.161</i>	5.3 <i>0.209</i>	
# MB700-050	5.000 <i>0.197</i>	5.5 <i>0.217</i>	7.0 <i>0.276</i>	5.0 - 5.1	4.3 <i>0.169</i>	5.3 <i>0.209</i>	0.4 <i>0.016</i>
# CVP-218RS	5.555 <i>0.219</i>	5.6 <i>0.220</i>	7.1 <i>0.280</i>	5.555 <i>0.219</i>	4.8 <i>0.189</i>	5.3 <i>0.209</i>	
MB700-060	6.000 <i>0.236</i>	6.5 <i>0.256</i>	8.6 <i>0.339</i>	6.0 to 6.1	5.3 <i>0.209</i>	6.3 <i>0.248</i>	0.4 <i>0.016</i>
# CVP-250RS	6.350 <i>0.250</i>	6.6 <i>0.260</i>	8.6 <i>0.339</i>	6.350 <i>0.250</i>	5.6 <i>0.220</i>	6.3 <i>0.248</i>	
# MB700-070	7.000 <i>0.276</i>	7.5 <i>0.295</i>	10.1 <i>0.398</i>	7.0 - 7.1	6.4 <i>0.252</i>	7.3 <i>0.287</i>	0.1 <i>0.004</i>
# CVP-281RS	7.142 <i>0.281</i>	7.6 <i>0.299</i>	10.2 <i>0.402</i>	7.142 <i>0.281</i>	6.4 <i>0.252</i>	7.3 <i>0.287</i>	

Indicates item not stocked at time of printing - Please enquire for lead time

Page 4 of 5

E&OE Pricing and all details subject to change without notice - Copyright Miniature Bearings Australia Pty Ltd
MBA Size Listings are a guide to sizes only and must not be solely relied on for critical design information.

Sealing Plugs - Stainless Sleeve with Hardened Ball

Part Number	Outside Diameter (d1) mm	Sleeve Length (l1) mm	Overall Length incl Ball (l2) mm	Hole Dia. (d2) mm	d3 Max. mm	l3 Min. mm	X (+/- 0.2) mm
	<i>inches</i>	<i>inches</i>	<i>inches</i>	<i>inches</i>	<i>inches</i>	<i>inches</i>	<i>inches</i>
# CVP-312RS	7.938 <i>0.313</i>	8.6 <i>0.339</i>	11.7 <i>0.461</i>	7.938 <i>0.313</i>	7.1 <i>0.280</i>	8.3 <i>0.327</i>	
# MB700-080	8.000 <i>0.315</i>	8.5 <i>0.335</i>	11.7 <i>0.461</i>	8.0 - 8.1	7.4 <i>0.291</i>	8.3 <i>0.327</i>	0.3 <i>0.012</i>
# MB700-090	9.000 <i>0.354</i>	10.0 <i>0.394</i>	13.7 <i>0.539</i>	9.0 - 9.1	8.4 <i>0.331</i>	9.8 <i>0.386</i>	0.4 <i>0.016</i>
# MB700-100	10.000 <i>0.394</i>	11.0 <i>0.433</i>	15.2 <i>0.598</i>	10.0 - 10.1	9.4 <i>0.370</i>	10.8 <i>0.425</i>	0.4 <i>0.016</i>
# MB700-120	12.000 <i>0.472</i>	13.0 <i>0.512</i>	18.0 <i>0.709</i>	12.0 - 12.1	10.6 <i>0.417</i>	12.8 <i>0.504</i>	0.4 <i>0.016</i>
# MB700-140	14.000 <i>0.551</i>	15.0 <i>0.591</i>	20.8 <i>0.819</i>	14.0 - 14.1	12.7 <i>0.500</i>	14.5 <i>0.571</i>	0.4 <i>0.016</i>
# MB700-160	16.000 <i>0.630</i>	17.0 <i>0.669</i>	23.7 <i>0.933</i>	16.0 - 16.1	14.7 <i>0.579</i>	16.5 <i>0.650</i>	0.6 <i>0.024</i>
# MB700-180	18.000 <i>0.709</i>	19.0 <i>0.748</i>	26.3 <i>1.035</i>	18.0 - 18.1	16.7 <i>0.657</i>	18.5 <i>0.728</i>	0.6 <i>0.024</i>
# MB700-200	20.000 <i>0.787</i>	22.0 <i>0.866</i>	30.5 <i>1.201</i>	20.0 - 20.1	18.7 <i>0.736</i>	21.5 <i>0.846</i>	0.8 <i>0.031</i>
# MB700-220	22.000 <i>0.866</i>	25.0 <i>0.984</i>	34.2 <i>1.346</i>	22.0 - 22.1	20.7 <i>0.815</i>	24.5 <i>0.965</i>	0.8 <i>0.031</i>

Indicates item not stocked at time of printing - Please enquire for lead time

Page 5 of 5

E&OE Pricing and all details subject to change without notice - Copyright Miniature Bearings Australia Pty Ltd

MBA Size Listings are a guide to sizes only and must not be solely relied on for critical design information.

DISTRIBUTED BY

Distributed By:

