



# Shackles - Anchor - Screw Pin - Steel

10/4/2018

# Indicates item not stocked at time of printing - Please enquire for lead time

E&OE Pricing and all details subject to change without notice - Copyright Miniature Bearings Australia Pty Ltd

MBA Size Listings are a guide to sizes only and must not be solely relied on for critical design information.

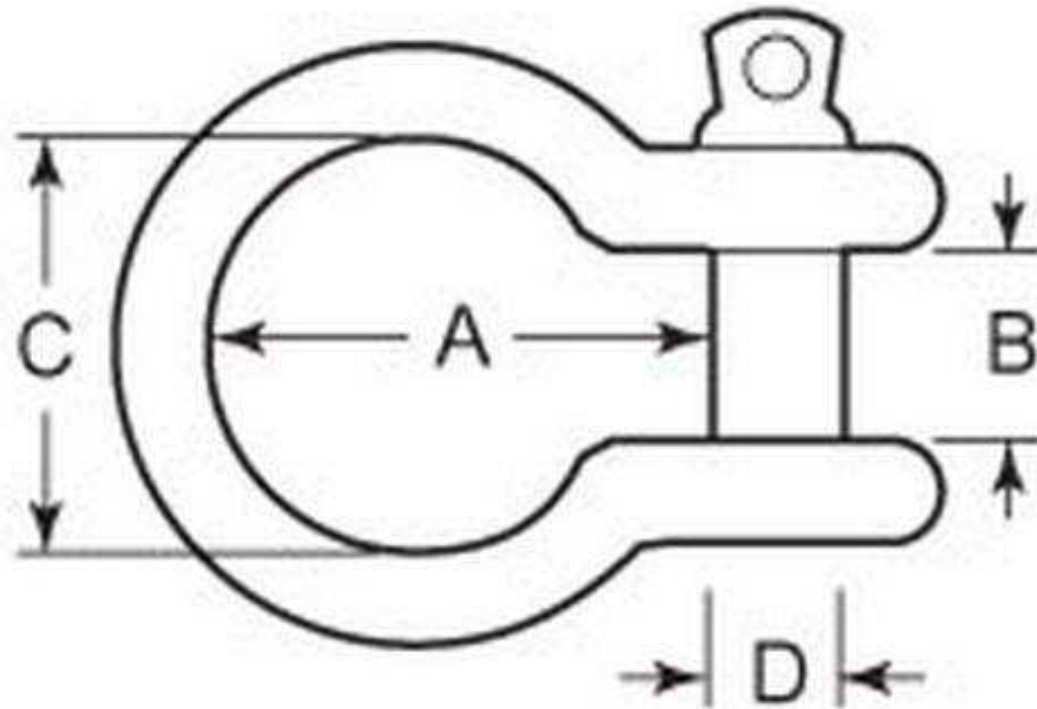
## INFORMATION

Forged carbon steel, self coloured.

# Indicates item not stocked at time of printing - Please enquire for lead time

E&OE Pricing and all details subject to change without notice - Copyright Miniature Bearings Australia Pty Ltd

MBA Size Listings are a guide to sizes only and must not be solely relied on for critical design information.



# Indicates item not stocked at time of printing - Please enquire for lead time

E&OE Pricing and all details subject to change without notice - Copyright Miniature Bearings Australia Pty Ltd

MBA Size Listings are a guide to sizes only and must not be solely relied on for critical design information.

## Shackles - Anchor - Screw Pin - Steel

Part Number	Nominal Shackle Size mm <i>inches</i>	Inside Length (A) mm <i>inches</i>	Inside Width (B) mm <i>inches</i>	Inside Bow Width (C) mm <i>inches</i>	Pin Diameter (D) mm <i>inches</i>	Rated Load Tonnes
# AS-05RS	6.350 <i>0.250</i>	28.575 <i>1.125</i>	11.9 <i>0.469</i>	19.050 <i>0.750</i>	7.925 <i>0.312</i>	0.5
# AS-10RS	7.925 <i>0.312</i>	31.750 <i>1.250</i>	13.5 <i>0.531</i>	33.325 <i>1.312</i>	9.525 <i>0.375</i>	0.75
# AS-5RS	9.525 <i>0.375</i>	36.500 <i>1.437</i>	16.7 <i>0.657</i>	28.575 <i>1.125</i>	11.100 <i>0.437</i>	1
# AS-20RS	11.100 <i>0.437</i>	42.863 <i>1.688</i>	18.2 <i>0.717</i>	33.325 <i>1.312</i>	12.700 <i>0.500</i>	1.5
# AS-25RS	12.700 <i>0.500</i>	49.213 <i>1.938</i>	20.6 <i>0.811</i>	38.100 <i>1.500</i>	15.875 <i>0.625</i>	2
# AS-30RS	15.875 <i>0.625</i>	63.500 <i>2.500</i>	26.9 <i>1.059</i>	47.625 <i>1.875</i>	19.050 <i>0.750</i>	3.25
# AS-35RS	19.050 <i>0.750</i>	76.200 <i>3.000</i>	31.75 <i>1.250</i>	50.800 <i>2.000</i>	22.225 <i>0.875</i>	4.75
# AS-40RS	22.225 <i>0.875</i>	82.550 <i>3.250</i>	36.5 <i>1.437</i>	66.675 <i>2.625</i>	25.400 <i>1.000</i>	6.5
# AS-45RS	25.400 <i>1.000</i>	95.250 <i>3.750</i>	42.8 <i>1.685</i>	69.850 <i>2.750</i>	28.575 <i>1.125</i>	8.5

# Indicates item not stocked at time of printing - Please enquire for lead time

E&OE Pricing and all details subject to change without notice - Copyright Miniature Bearings Australia Pty Ltd

MBA Size Listings are a guide to sizes only and must not be solely relied on for critical design information.

DISTRIBUTED BY

Distributed By:

