



Shafting - Supported - Pre-Drilled - Aluminium

10/4/2018

Indicates item not stocked at time of printing - Please enquire for lead time

E&OE Pricing and all details subject to change without notice - Copyright Miniature Bearings Australia Pty Ltd

MBA Size Listings are a guide to sizes only and must not be solely relied on for critical design information.

INFORMATION

For Drylin Bearings.

Material : AlMgSi 0.5 F22.

Roundness: DIN 1798. Straightness: DIN 1798. Hardness: 75HB.

Surface: Hard anodised. Oxidisation (wear resistant Al. Oxide) Layer Thickness: Greater than 40um.

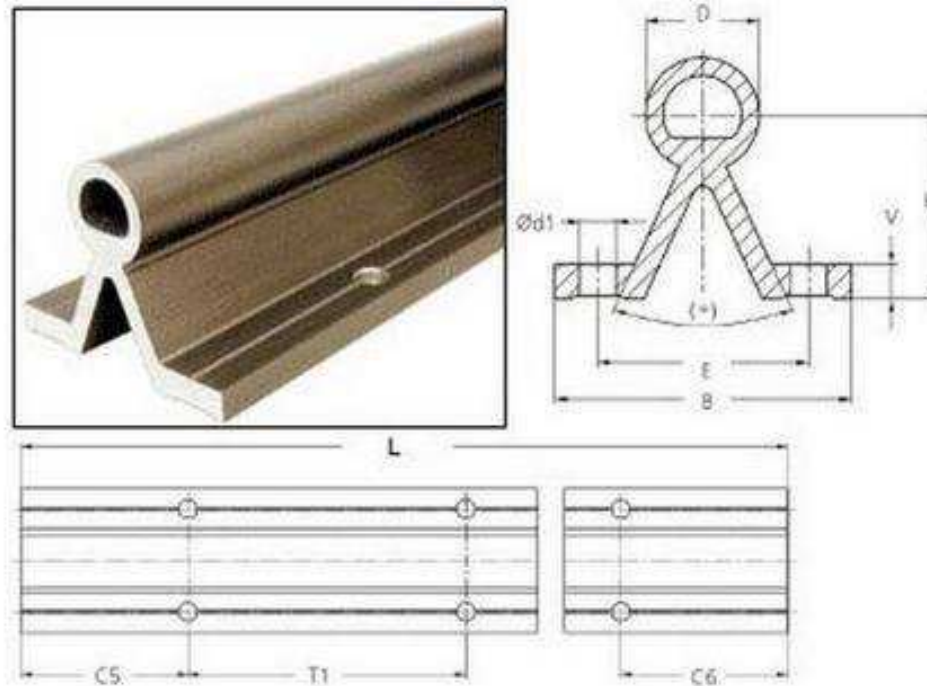
Surface Hardness: 450-550 HV.

Roughness: Ra Less than 0.5. Spec. Electr. Resistance: 4×10^{11} Ohm mm²/m. Chemical Resistance: Ph Greater than 2 and less than 9

Indicates item not stocked at time of printing - Please enquire for lead time

E&OE Pricing and all details subject to change without notice - Copyright Miniature Bearings Australia Pty Ltd

MBA Size Listings are a guide to sizes only and must not be solely relied on for critical design information.



Indicates item not stocked at time of printing - Please enquire for lead time

E&OE Pricing and all details subject to change without notice - Copyright Miniature Bearings Australia Pty Ltd

MBA Size Listings are a guide to sizes only and must not be solely relied on for critical design information.

Shafting - Supported - Pre-Drilled - Aluminium

Part Number	Diameter (D) mm	Rail Width (B) mm	Centre Height (H) mm	Base Thickness (V) mm	Bolt Hole Size (d1) mm	Base Angle Deg	Bolt Hole Ctr Across (E) mm	Hole Spacing (T1) mm	C5 mm	C6 mm
	<i>inches</i>	<i>inches</i>	<i>inches</i>	<i>inches</i>	<i>inches</i>		<i>inches</i>	<i>inches</i>	<i>inches</i>	<i>inches</i>
# 0R-0120-1000-SUPDT-AL-T27	12.000 <i>0.472</i>	40 <i>1.575</i>	22.0 <i>0.866</i>	5.0 <i>0.197</i>	4.5 <i>0.177</i>	50.0	29.0 <i>1.142</i>	75.0 <i>2.953</i>	20 <i>0.787</i>	57 <i>2.244</i>
# 0R-0120-2000-SUPDT-AL-T27	12.000 <i>0.472</i>	40 <i>1.575</i>	22.0 <i>0.866</i>	5.0 <i>0.197</i>	4.5 <i>0.177</i>	50.0	29.0 <i>1.142</i>	75.0 <i>2.953</i>	20 <i>0.787</i>	57 <i>2.244</i>
# 0R-0120-0600-SUPDT-AL-T27	12.000 <i>0.472</i>	40 <i>1.575</i>	22.0 <i>0.866</i>	5.0 <i>0.197</i>	4.5 <i>0.177</i>	50.0	29.0 <i>1.142</i>	75.0 <i>2.953</i>	20 <i>0.787</i>	57 <i>2.244</i>
# 0R-0120-0300-SUPDT-AL-T27	12.000 <i>0.472</i>	40 <i>1.575</i>	22.0 <i>0.866</i>	5.0 <i>0.197</i>	4.5 <i>0.177</i>	50.0	29.0 <i>1.142</i>	75.0 <i>2.953</i>	20 <i>0.787</i>	57 <i>2.244</i>
# 0R-0160-0300-SUPDT-AL-T27	16.000 <i>0.630</i>	45 <i>1.772</i>	26.0 <i>1.024</i>	5.0 <i>0.197</i>	5.5 <i>0.217</i>	50.0	33.0 <i>1.299</i>	100.0 <i>3.937</i>	20 <i>0.787</i>	69 <i>2.717</i>
# 0R-0160-2000-SUPDT-AL-T27	16.000 <i>0.630</i>	45 <i>1.772</i>	26.0 <i>1.024</i>	5.0 <i>0.197</i>	5.5 <i>0.217</i>	50.0	33.0 <i>1.299</i>	100.0 <i>3.937</i>	20 <i>0.787</i>	69 <i>2.717</i>
# 0R-0160-1000-SUPDT-AL-T27	16.000 <i>0.630</i>	45 <i>1.772</i>	26.0 <i>1.024</i>	5.0 <i>0.197</i>	5.5 <i>0.217</i>	50.0	33.0 <i>1.299</i>	100.0 <i>3.937</i>	20 <i>0.787</i>	69 <i>2.717</i>
# 0R-0160-0600-SUPDT-AL-T27	16.000 <i>0.630</i>	45 <i>1.772</i>	26.0 <i>1.024</i>	5.0 <i>0.197</i>	5.5 <i>0.217</i>	50.0	33.0 <i>1.299</i>	100.0 <i>3.937</i>	20 <i>0.787</i>	69 <i>2.717</i>
# 0R-0200-0300-SUPDT-AL-T33	20.000 <i>0.787</i>	52 <i>2.047</i>	32.0 <i>1.260</i>	6.0 <i>0.236</i>	6.6 <i>0.260</i>	50.0	37.0 <i>1.457</i>	100.0 <i>3.937</i>	20 <i>0.787</i>	69 <i>2.717</i>
# 0R-0200-0600-SUPDT-AL-T33	20.000 <i>0.787</i>	52 <i>2.047</i>	32.0 <i>1.260</i>	6.0 <i>0.236</i>	6.6 <i>0.260</i>	50.0	37.0 <i>1.457</i>	100.0 <i>3.937</i>	20 <i>0.787</i>	69 <i>2.717</i>

Indicates item not stocked at time of printing - Please enquire for lead time

Page 4 of 5

E&OE Pricing and all details subject to change without notice - Copyright Miniature Bearings Australia Pty Ltd
MBA Size Listings are a guide to sizes only and must not be solely relied on for critical design information.

Shafting - Supported - Pre-Drilled - Aluminium

Part Number	Diameter (D) mm	Rail Width (B) mm	Centre Height (H) mm	Base Thickness (V) mm	Bolt Hole Size (d1) mm	Base Angle Deg	Bolt Hole Ctr Across (E) mm	Hole Spacing (T1) mm	C5 mm	C6 mm
	<i>inches</i>	<i>inches</i>	<i>inches</i>	<i>inches</i>	<i>inches</i>		<i>inches</i>	<i>inches</i>	<i>inches</i>	<i>inches</i>
# 0R-0200-2000-SUPDT-AL-T33	20.000 <i>0.787</i>	52 <i>2.047</i>	32.0 <i>1.260</i>	6.0 <i>0.236</i>	6.6 <i>0.260</i>	50.0	37.0 <i>1.457</i>	100.0 <i>3.937</i>	20 <i>0.787</i>	69 <i>2.717</i>
# 0R-0200-1000-SUPDT-AL-T33	20.000 <i>0.787</i>	52 <i>2.047</i>	32.0 <i>1.260</i>	6.0 <i>0.236</i>	6.6 <i>0.260</i>	50.0	37.0 <i>1.457</i>	100.0 <i>3.937</i>	20 <i>0.787</i>	69 <i>2.717</i>
# 0R-0250-1000-SUPDT-AL-T33	25.000 <i>0.984</i>	57 <i>2.244</i>	36.0 <i>1.417</i>	6.0 <i>0.236</i>	6.6 <i>0.260</i>	50.0	42.0 <i>1.654</i>	120.0 <i>4.724</i>	20 <i>0.787</i>	79 <i>3.110</i>
# 0R-0250-0300-SUPDT-AL-T33	25.000 <i>0.984</i>	57 <i>2.244</i>	36.0 <i>1.417</i>	6.0 <i>0.236</i>	6.6 <i>0.260</i>	50.0	42.0 <i>1.654</i>	120.0 <i>4.724</i>	20 <i>0.787</i>	79 <i>3.110</i>
# 0R-0250-0600-SUPDT-AL-T33	25.000 <i>0.984</i>	57 <i>2.244</i>	36.0 <i>1.417</i>	6.0 <i>0.236</i>	6.6 <i>0.260</i>	50.0	42.0 <i>1.654</i>	120.0 <i>4.724</i>	20 <i>0.787</i>	79 <i>3.110</i>
# 0R-0250-2000-SUPDT-AL-T33	25.000 <i>0.984</i>	57 <i>2.244</i>	36.0 <i>1.417</i>	6.0 <i>0.236</i>	6.6 <i>0.260</i>	50.0	42.0 <i>1.654</i>	120.0 <i>4.724</i>	20 <i>0.787</i>	79 <i>3.110</i>
# 0R-0300-0600-SUPDT-AL-T33	30.000 <i>1.181</i>	69 <i>2.717</i>	42.0 <i>1.654</i>	7.0 <i>0.276</i>	9.0 <i>0.354</i>	50.0	51.0 <i>2.008</i>	150.0 <i>5.906</i>	20 <i>0.787</i>	94 <i>3.701</i>
# 0R-0300-2000-SUPDT-AL-T33	30.000 <i>1.181</i>	69 <i>2.717</i>	42.0 <i>1.654</i>	7.0 <i>0.276</i>	9.0 <i>0.354</i>	50.0	51.0 <i>2.008</i>	150.0 <i>5.906</i>	20 <i>0.787</i>	94 <i>3.701</i>
# 0R-0300-1000-SUPDT-AL-T33	30.000 <i>1.181</i>	69 <i>2.717</i>	42.0 <i>1.654</i>	7.0 <i>0.276</i>	9.0 <i>0.354</i>	50.0	51.0 <i>2.008</i>	150.0 <i>5.906</i>	20 <i>0.787</i>	94 <i>3.701</i>
# 0R-0300-0300-SUPDT-AL-T33	30.000 <i>1.181</i>	69 <i>2.717</i>	42.0 <i>1.654</i>	7.0 <i>0.276</i>	9.0 <i>0.354</i>	50.0	51.0 <i>2.008</i>	150.0 <i>5.906</i>	20 <i>0.787</i>	94 <i>3.701</i>

Indicates item not stocked at time of printing - Please enquire for lead time

Page 5 of 5

E&OE Pricing and all details subject to change without notice - Copyright Miniature Bearings Australia Pty Ltd
MBA Size Listings are a guide to sizes only and must not be solely relied on for critical design information.

DISTRIBUTED BY

Distributed By:

