



Shock Absorbers - Adjustable

10/4/2018

Indicates item not stocked at time of printing - Please enquire for lead time

E&OE Pricing and all details subject to change without notice - Copyright Miniature Bearings Australia Pty Ltd

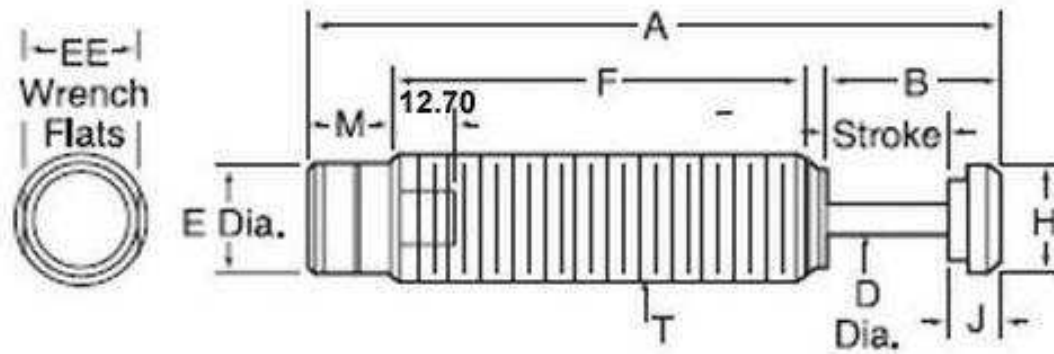
MBA Size Listings are a guide to sizes only and must not be solely relied on for critical design information.

INFORMATION

Indicates item not stocked at time of printing - Please enquire for lead time

E&OE Pricing and all details subject to change without notice - Copyright Miniature Bearings Australia Pty Ltd

MBA Size Listings are a guide to sizes only and must not be solely relied on for critical design information.



Indicates item not stocked at time of printing - Please enquire for lead time

E&OE Pricing and all details subject to change without notice - Copyright Miniature Bearings Australia Pty Ltd

MBA Size Listings are a guide to sizes only and must not be solely relied on for critical design information.

Shock Absorbers - Adjustable

Part Number	Stroke mm <i>inches</i>	Thread (T)	Length (A/F) mm <i>inches</i>	Shaft Diameter (D) mm <i>inches</i>	Effective Weight KG	Wrench Flat (EE) mm <i>inches</i>	More Information
# ACE0035MRS	10.16 <i>0.400</i>	M12.0x1.00 (12.0mm)	84.07 / 61.21	3.30 <i>0.130</i>	6 - 57	-	For more information please contact us.
# ACE0035RS	10.16 <i>0.400</i>	1/2-20 UNC (12.700mm)	84.07 / 61.21	3.30 <i>0.130</i>	6 - 57	-	For more information please contact us.
# ACE0150MRS	12.70 <i>0.500</i>	M14.0x1.50 (14.0mm)	91.19 / 61.98	4.83 <i>0.190</i>	1 - 109	12.70 <i>0.500</i>	For more information please contact us.
# ACE0150RS	12.70 <i>0.500</i>	9/16-18 UNC (14.288mm)	91.19 / 61.98	4.83 <i>0.190</i>	1 - 109	12.45 <i>0.490</i>	For more information please contact us.
# ACE0225MRS	19.05 <i>0.750</i>	M20.0x1.50 (20.0mm)	118.62 / 74.68	4.83 <i>0.190</i>	2 - 227	17.46 <i>0.687</i>	For more information please contact us.
# ACE0225RS	19.05 <i>0.750</i>	3/4-16 UNC (19.050mm)	118.62 / 74.68	4.83 <i>0.190</i>	2 - 227	17.46 <i>0.687</i>	For more information please contact us.
# ACE0600MRS	25.40 <i>1.000</i>	M25.0x1.50 (25.0mm)	142.75 / 89.92	6.35 <i>0.250</i>	9 - 1361	22.23 <i>0.875</i>	For more information please contact us.
# ACE0600RS	25.40 <i>1.000</i>	1-12 UNF (25.400mm)	142.75 / 89.92	6.35 <i>0.250</i>	9 - 1361	22.23 <i>0.875</i>	For more information please contact us.

Indicates item not stocked at time of printing - Please enquire for lead time

E&OE Pricing and all details subject to change without notice - Copyright Miniature Bearings Australia Pty Ltd

MBA Size Listings are a guide to sizes only and must not be solely relied on for critical design information.

Shock Absorbers - Adjustable

Part Number	Stroke mm	Thread (T)	Length (A/F) mm	Shaft Diameter (D) mm	Effective Weight KG	Wrench Flat (EE) mm	More Information
	<i>inches</i>		<i>inches</i>	<i>inches</i>		<i>inches</i>	
# ACE0900RS	40.13	1-12 UNF (25.400mm)	188.98 / 121.41	6.35	14 - 2041	22.23	For more information please contact us.
	<i>1.580</i>			<i>0.250</i>		<i>0.875</i>	

Indicates item not stocked at time of printing - Please enquire for lead time

E&OE Pricing and all details subject to change without notice - Copyright Miniature Bearings Australia Pty Ltd

MBA Size Listings are a guide to sizes only and must not be solely relied on for critical design information.

DISTRIBUTED BY

Distributed By:

