



Shock Absorbers - Lock Nuts

10/4/2018

Indicates item not stocked at time of printing - Please enquire for lead time

E&OE Pricing and all details subject to change without notice - Copyright Miniature Bearings Australia Pty Ltd

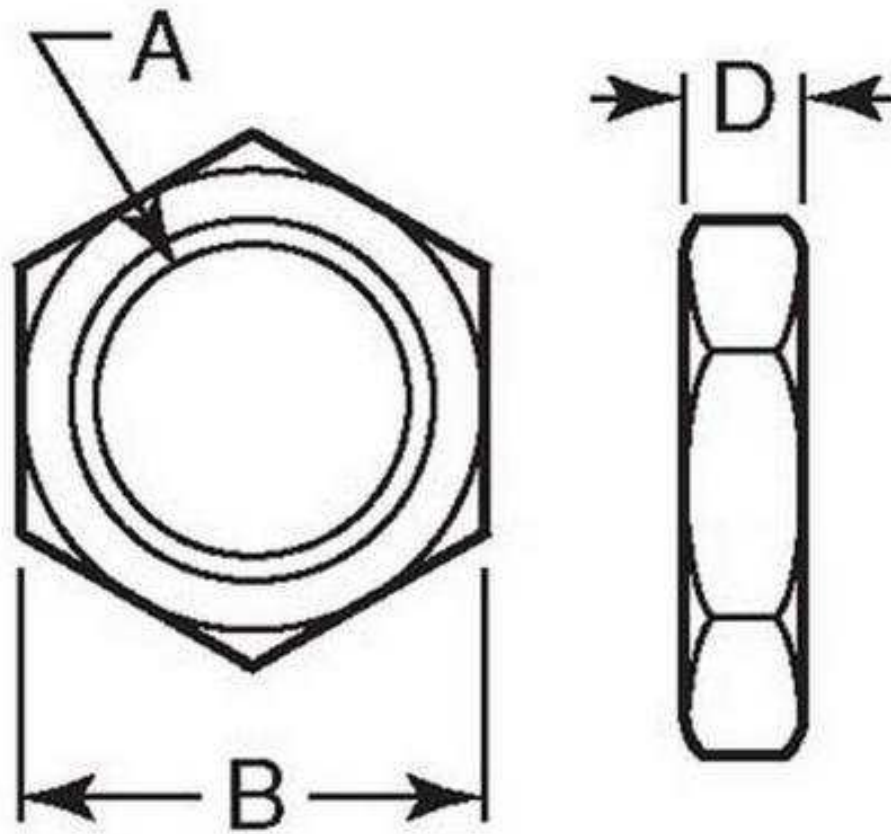
MBA Size Listings are a guide to sizes only and must not be solely relied on for critical design information.

INFORMATION

Indicates item not stocked at time of printing - Please enquire for lead time

E&OE Pricing and all details subject to change without notice - Copyright Miniature Bearings Australia Pty Ltd

MBA Size Listings are a guide to sizes only and must not be solely relied on for critical design information.



Indicates item not stocked at time of printing - Please enquire for lead time

E&OE Pricing and all details subject to change without notice - Copyright Miniature Bearings Australia Pty Ltd

MBA Size Listings are a guide to sizes only and must not be solely relied on for critical design information.

Shock Absorbers - Lock Nuts

Part Number	Suits Thread (A)	Diameter (B) mm	Thickness (D) mm	Shape
		<i>inches</i>	<i>inches</i>	
# ACE28RS	1.3/8-12	44.45 <i>1.750</i>	6.35 <i>0.250</i>	Round
# ACE29RS	2.1/2-12	76.20 <i>3.000</i>	9.40 <i>0.370</i>	Round
# ACE23RS	9/16-18	22.35 <i>0.880</i>	7.87 <i>0.310</i>	Hex
# ACE21RS	11904.00	12.70 <i>0.500</i>	2.29 <i>0.090</i>	Hex
# ACE25RS	40878.00	31.75 <i>1.250</i>	6.35 <i>0.250</i>	Hex
# ACE24RS	42463.00	25.40 <i>1.000</i>	6.35 <i>0.250</i>	Hex
# ACE22RS	43862.00	15.75 <i>0.620</i>	3.30 <i>0.130</i>	Hex

Indicates item not stocked at time of printing - Please enquire for lead time

E&OE Pricing and all details subject to change without notice - Copyright Miniature Bearings Australia Pty Ltd

MBA Size Listings are a guide to sizes only and must not be solely relied on for critical design information.

DISTRIBUTED BY

Distributed By:

