



Slides - Drawer - Heavy Duty - Lever Disconnect - Dual Lock

10/4/2018

Indicates item not stocked at time of printing - Please enquire for lead time

E&OE Pricing and all details subject to change without notice - Copyright Miniature Bearings Australia Pty Ltd

MBA Size Listings are a guide to sizes only and must not be solely relied on for critical design information.

Page 1 of 4

INFORMATION

Used for filing cabinets, utility and industrial truck storage, machine tool drawers, generators and heavy mechanical devices.

Lever Disconnect.

Lock in or lock out

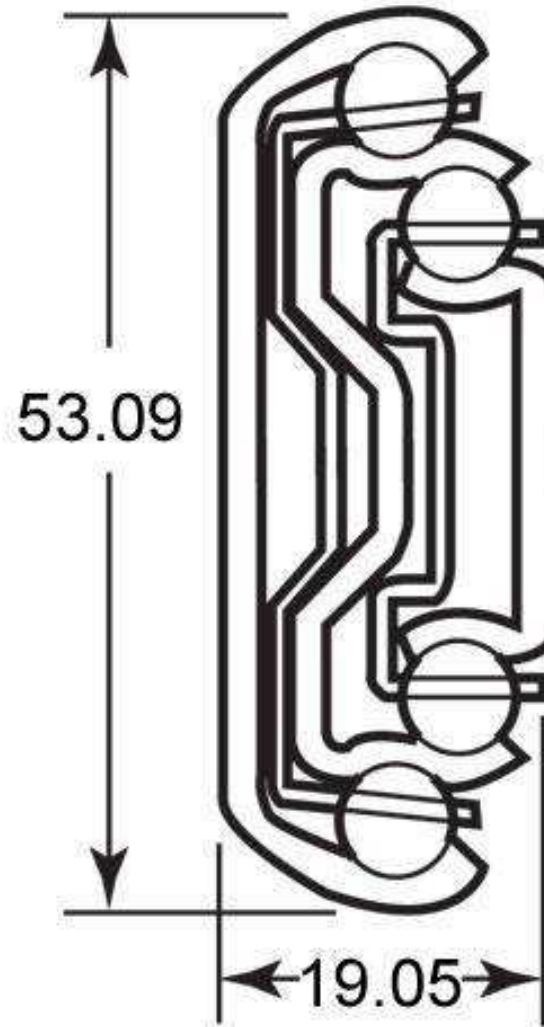
25.4mm over travel.

12.7mm side space.

Indicates item not stocked at time of printing - Please enquire for lead time

E&OE Pricing and all details subject to change without notice - Copyright Miniature Bearings Australia Pty Ltd

MBA Size Listings are a guide to sizes only and must not be solely relied on for critical design information.



Indicates item not stocked at time of printing - Please enquire for lead time

E&OE Pricing and all details subject to change without notice - Copyright Miniature Bearings Australia Pty Ltd

MBA Size Listings are a guide to sizes only and must not be solely relied on for critical design information.

Slides - Drawer - Heavy Duty - Lever Disconnect - Dual Lock

Part Number	Slide Length mm	Slide Travel mm	Load Rating kg	Slide Width mm	Slide Height mm
	<i>inches</i>	<i>inches</i>		<i>inches</i>	<i>inches</i>
# AI-1718RS	457.20 <i>18.000</i>	482.60 <i>19.000</i>	66.224	50.80 <i>2.000</i>	12.70 <i>0.500</i>
# AI-1720RS	508.00 <i>20.000</i>	533.40 <i>21.000</i>	65.771	50.80 <i>2.000</i>	12.70 <i>0.500</i>
# AI-1722RS	558.80 <i>22.000</i>	584.20 <i>23.000</i>	63.503	50.80 <i>2.000</i>	12.70 <i>0.500</i>

Indicates item not stocked at time of printing - Please enquire for lead time

E&OE Pricing and all details subject to change without notice - Copyright Miniature Bearings Australia Pty Ltd

MBA Size Listings are a guide to sizes only and must not be solely relied on for critical design information.

DISTRIBUTED BY

Distributed By:

