



Slides - Drawer - Heavy Duty - No Disconnect

10/4/2018

Indicates item not stocked at time of printing - Please enquire for lead time

E&OE Pricing and all details subject to change without notice - Copyright Miniature Bearings Australia Pty Ltd

MBA Size Listings are a guide to sizes only and must not be solely relied on for critical design information.

INFORMATION

Used for filing cabinets, utility and industrial truck storage, machine tool drawers, generators and heavy mechanical devices.

Non disconnect

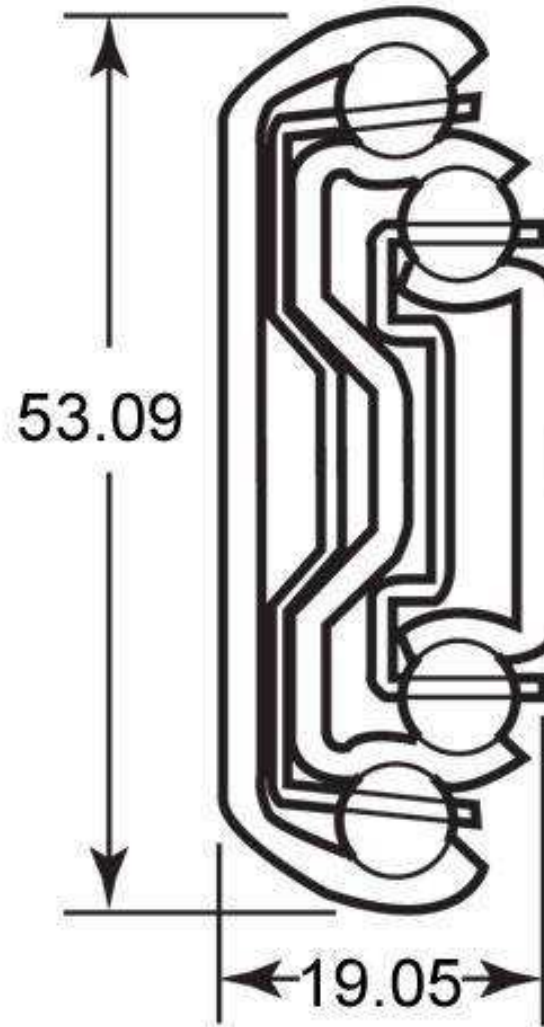
Hold in detent full extension

19.1mm side space.

Indicates item not stocked at time of printing - Please enquire for lead time

E&OE Pricing and all details subject to change without notice - Copyright Miniature Bearings Australia Pty Ltd

MBA Size Listings are a guide to sizes only and must not be solely relied on for critical design information.



Indicates item not stocked at time of printing - Please enquire for lead time

E&OE Pricing and all details subject to change without notice - Copyright Miniature Bearings Australia Pty Ltd

MBA Size Listings are a guide to sizes only and must not be solely relied on for critical design information.

Slides - Drawer - Heavy Duty - No Disconnect

Part Number	Slide Length mm	Slide Travel mm	Load Rating kg	Slide Width mm	Slide Height mm
	<i>inches</i>	<i>inches</i>		<i>inches</i>	<i>inches</i>
# AI-1818RS	457.20 <i>18.000</i>	457.20 <i>18.000</i>	114.759	53.09 <i>2.090</i>	19.05 <i>0.750</i>
# AI-1820RS	508.00 <i>20.000</i>	508.00 <i>20.000</i>	110.676	53.09 <i>2.090</i>	19.05 <i>0.750</i>
# AI-1822RS	558.80 <i>22.000</i>	558.80 <i>22.000</i>	105.687	53.09 <i>2.090</i>	19.05 <i>0.750</i>

Indicates item not stocked at time of printing - Please enquire for lead time

E&OE Pricing and all details subject to change without notice - Copyright Miniature Bearings Australia Pty Ltd

MBA Size Listings are a guide to sizes only and must not be solely relied on for critical design information.

DISTRIBUTED BY

Distributed By:

