



Slides - Drawer - Heavy Duty - Rail Mounting - Hold In Detent

10/4/2018

Indicates item not stocked at time of printing - Please enquire for lead time

E&OE Pricing and all details subject to change without notice - Copyright Miniature Bearings Australia Pty Ltd

MBA Size Listings are a guide to sizes only and must not be solely relied on for critical design information.

Page 1 of 4

INFORMATION

Used for filing cabinets, utility and industrial truck storage, machine tool drawers, generators and heavy mechanical devices.

Full extension

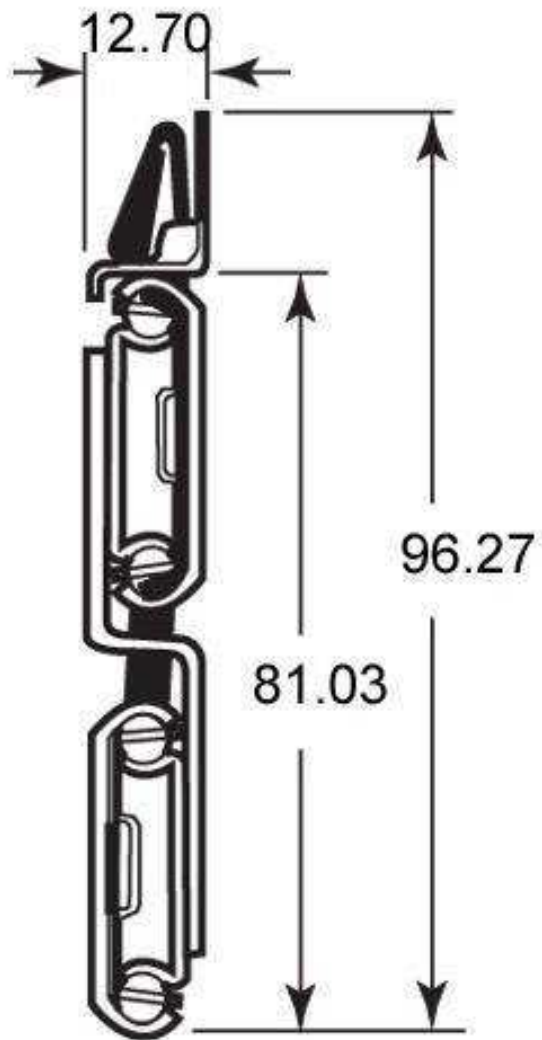
Includes 32mm hole pattern as well as traditional hole pattern

Designed for units up to 760mm wide.

Indicates item not stocked at time of printing - Please enquire for lead time

E&OE Pricing and all details subject to change without notice - Copyright Miniature Bearings Australia Pty Ltd

MBA Size Listings are a guide to sizes only and must not be solely relied on for critical design information.



Indicates item not stocked at time of printing - Please enquire for lead time

E&OE Pricing and all details subject to change without notice - Copyright Miniature Bearings Australia Pty Ltd

MBA Size Listings are a guide to sizes only and must not be solely relied on for critical design information.

Slides - Drawer - Heavy Duty - Rail Mounting - Hold In Detent

Part Number	Slide Length mm	Slide Travel mm	Load Rating kg	Slide Width mm	Slide Height mm	Overall Height mm
	<i>inches</i>	<i>inches</i>		<i>inches</i>	<i>inches</i>	<i>inches</i>
# AI-1418RS	450.09 <i>17.720</i>	459.74 <i>18.100</i>	68.039	81.03 <i>3.190</i>	12.70 <i>0.500</i>	96.27 <i>3.790</i>
# AI-1420RS	500.13 <i>19.690</i>	508.76 <i>20.030</i>	68.039	81.03 <i>3.190</i>	12.70 <i>0.500</i>	96.27 <i>3.790</i>
# AI-1422RS	549.91 <i>21.650</i>	557.53 <i>21.950</i>	68.039	81.03 <i>3.190</i>	12.70 <i>0.500</i>	96.27 <i>3.790</i>

Indicates item not stocked at time of printing - Please enquire for lead time

E&OE Pricing and all details subject to change without notice - Copyright Miniature Bearings Australia Pty Ltd
MBA Size Listings are a guide to sizes only and must not be solely relied on for critical design information.

DISTRIBUTED BY

Distributed By:

