



Slides - Drawer - Stainless - No Disconnect - Medium Duty - Full Ext

10/4/2018

Indicates item not stocked at time of printing - Please enquire for lead time

E&OE Pricing and all details subject to change without notice - Copyright Miniature Bearings Australia Pty Ltd

MBA Size Listings are a guide to sizes only and must not be solely relied on for critical design information.

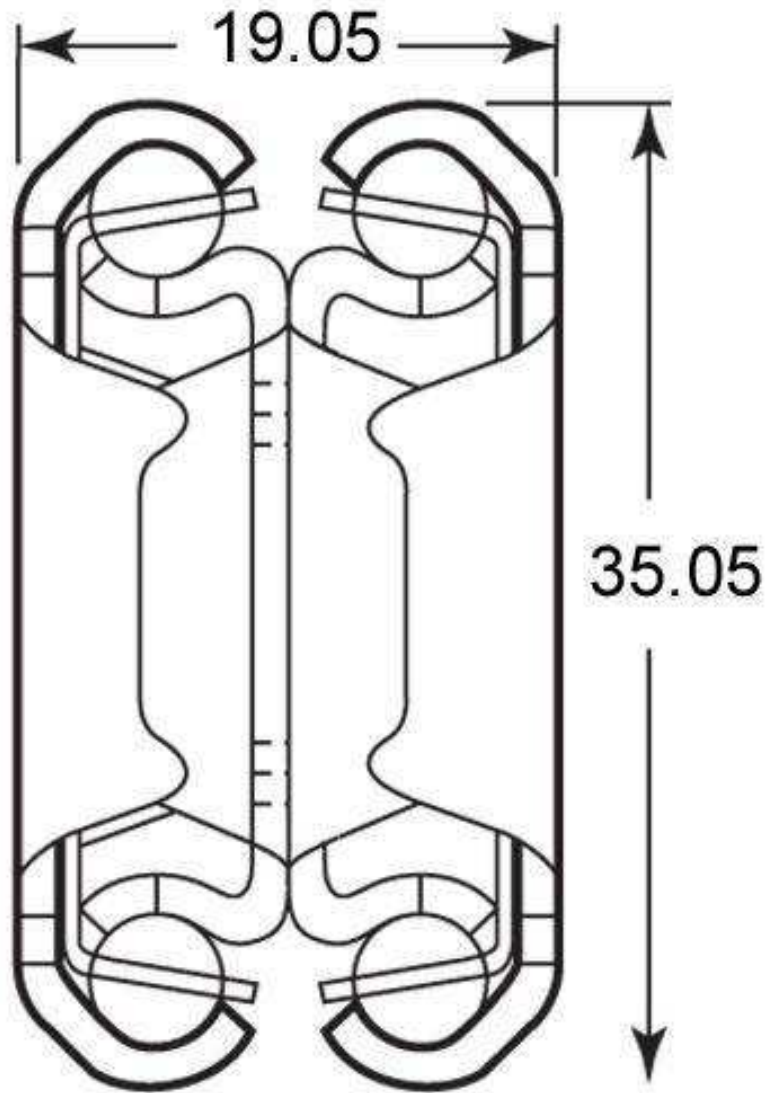
INFORMATION

Made from 304 stainless with bearing balls. Used where corrosion resistance is required such as laboratories, humid and damp environments, marine applications and clean rooms. Bright finish, tight tolerance, quiet operation and smooth glide.

Side mounted three member slide.

Allows drawer to be pulled out further than the slide length allowing full access to the drawer.

Positive stop slide that will not disconnect once installed.



Indicates item not stocked at time of printing - Please enquire for lead time

E&OE Pricing and all details subject to change without notice - Copyright Miniature Bearings Australia Pty Ltd

MBA Size Listings are a guide to sizes only and must not be solely relied on for critical design information.

Slides - Drawer - Stainless - No Disconnect - Medium Duty - Full Ext

Part Number	Slide Length mm <i>inches</i>	Slide Travel mm <i>inches</i>	Load Rating kg	Slide Width mm <i>inches</i>	Slide Height mm <i>inches</i>
# SUG-256RS	304.80 <i>12.000</i>	319.02 <i>12.560</i>	77.111	35.05 <i>1.380</i>	19.05 <i>0.750</i>
# SUG-258RS	355.60 <i>14.000</i>	369.82 <i>14.560</i>	76.657	35.05 <i>1.380</i>	19.05 <i>0.750</i>
# SUG-260RS	406.40 <i>16.000</i>	420.62 <i>16.560</i>	72.575	35.05 <i>1.380</i>	19.05 <i>0.750</i>
# SUG-262RS	457.20 <i>18.000</i>	471.42 <i>18.560</i>	67.585	35.05 <i>1.380</i>	19.05 <i>0.750</i>
# SUG-264RS	508.00 <i>20.000</i>	522.22 <i>20.560</i>	64.864	35.05 <i>1.380</i>	19.05 <i>0.750</i>
# SUG-266RS	558.80 <i>22.000</i>	573.02 <i>22.560</i>	58.513	35.05 <i>1.380</i>	19.05 <i>0.750</i>
# SUG-268RS	609.60 <i>24.000</i>	623.82 <i>24.560</i>	51.709	35.05 <i>1.380</i>	19.05 <i>0.750</i>
# SUG-270RS	660.40 <i>26.000</i>	674.62 <i>26.560</i>	47.627	35.05 <i>1.380</i>	19.05 <i>0.750</i>
# SUG-272RS	711.20 <i>28.000</i>	725.42 <i>28.560</i>	40.823	35.05 <i>1.380</i>	19.05 <i>0.750</i>

Indicates item not stocked at time of printing - Please enquire for lead time

E&OE Pricing and all details subject to change without notice - Copyright Miniature Bearings Australia Pty Ltd

MBA Size Listings are a guide to sizes only and must not be solely relied on for critical design information.

DISTRIBUTED BY

Distributed By:

