



Slides - Linear - Non Recirculating Ball - Standard

10/4/2018

Indicates item not stocked at time of printing - Please enquire for lead time

E&OE Pricing and all details subject to change without notice - Copyright Miniature Bearings Australia Pty Ltd

MBA Size Listings are a guide to sizes only and must not be solely relied on for critical design information.

INFORMATION

The BSP precision Linear Slide series is a lightweight and compact linear motion rolling guide made of stainless steel formed precisely to be U-shaped table or track rail.

Slides: Stainless Steel End Stop / Retainer: Synthetic Resin.

Maximum Speed: 0.5 m/sec (30m/min).

Temperature: +100^oC (Constant), +120^oC (Maximum).

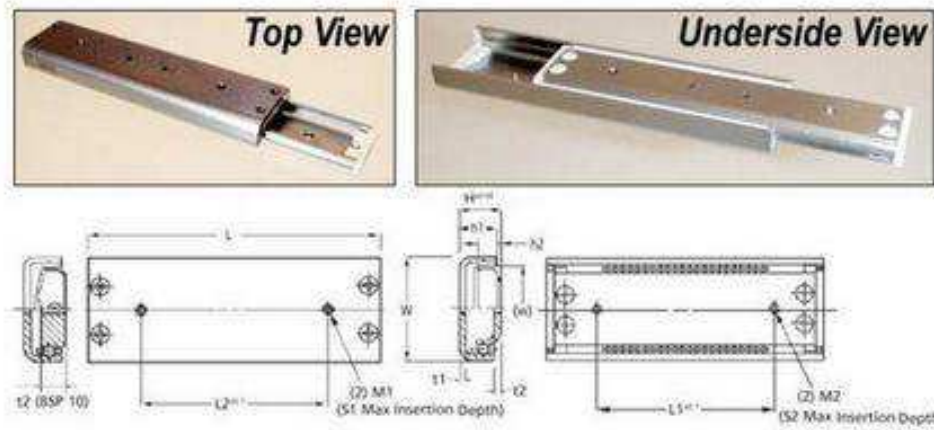
Does not incorporate a mechanical stopper.

Sensitive to external contaminants.

Indicates item not stocked at time of printing - Please enquire for lead time

E&OE Pricing and all details subject to change without notice - Copyright Miniature Bearings Australia Pty Ltd

MBA Size Listings are a guide to sizes only and must not be solely relied on for critical design information.



Indicates item not stocked at time of printing - Please enquire for lead time

E&OE Pricing and all details subject to change without notice - Copyright Miniature Bearings Australia Pty Ltd

MBA Size Listings are a guide to sizes only and must not be solely relied on for critical design information.

Slides - Linear - Non Recirculating Ball - Standard

Part Number	Width (W) mm	Height (H) mm	Length (L) mm	Bolt Hole Centres (L2) mm	Max Stroke mm	Screw / Max Depths (S1/S2) mm	Table/Bed Depth (h1/h2) mm	Table Thickness (t1) mm	Bed Thickness (t2) mm	Basic Dynamic Load Rating
	<i>inches</i>	<i>inches</i>	<i>inches</i>	<i>inches</i>	<i>inches</i>	<i>inches</i>	<i>inches</i>	<i>inches</i>	<i>inches</i>	
BSP1025SL	10.00	6.00	25.00	15.00	15	M2.6 / 1.5 / 2.7	5.8 / 3.7	1.1	2.7	30
	<i>0.394</i>	<i>0.236</i>	<i>0.984</i>	<i>0.591</i>	<i>0.591</i>			<i>0.043</i>	<i>0.106</i>	
# BSP1035SL	10.00	6.00	35.00	25.00	26	M2.6 / 1.5 / 2.7	5.8 / 3.7	1.1	2.7	35
	<i>0.394</i>	<i>0.236</i>	<i>1.378</i>	<i>0.984</i>	<i>1.024</i>			<i>0.043</i>	<i>0.106</i>	

Indicates item not stocked at time of printing - Please enquire for lead time

E&OE Pricing and all details subject to change without notice - Copyright Miniature Bearings Australia Pty Ltd
MBA Size Listings are a guide to sizes only and must not be solely relied on for critical design information.

DISTRIBUTED BY

Distributed By:

