



Socket Set Screws - Cup Point - Standard - 316 Stainless Steel - DIN916

10/4/2018

Indicates item not stocked at time of printing - Please enquire for lead time

E&OE Pricing and all details subject to change without notice - Copyright Miniature Bearings Australia Pty Ltd

MBA Size Listings are a guide to sizes only and must not be solely relied on for critical design information.

Page 1 of 32

INFORMATION

Standard grub screws. UNC - UNF - BA - METRIC.

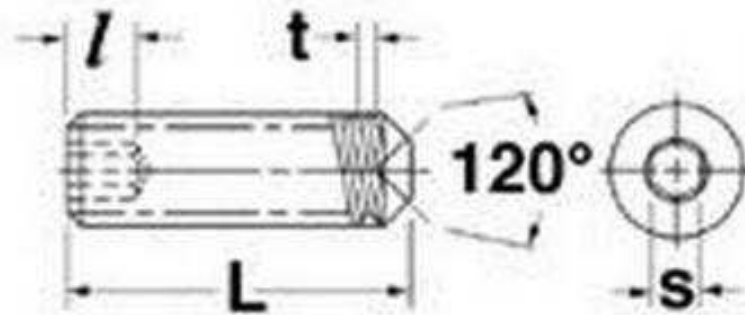
This catalogue to be read in conjunction with information at <http://www.minibearings.com.au//partslist/toolssetsfoldup/tools/all/1/>

Indicates item not stocked at time of printing - Please enquire for lead time

E&OE Pricing and all details subject to change without notice - Copyright Miniature Bearings Australia Pty Ltd

MBA Size Listings are a guide to sizes only and must not be solely relied on for critical design information.

Cup Point
Knurled Cup Point



Indicates item not stocked at time of printing - Please enquire for lead time

E&OE Pricing and all details subject to change without notice - Copyright Miniature Bearings Australia Pty Ltd

MBA Size Listings are a guide to sizes only and must not be solely relied on for critical design information.

Socket Set Screws - Cup Point - Standard - 316 Stainless Steel - DIN916

Part Number	Thread Size	Thread Length (L) mm <i>inches</i>	Material	Hex Key Size mm <i>inches</i>	Type	Pitch mm <i>inches</i>
# SS015F-0079-S6	0-80 UNF (1.524mm)	7.9 <i>0.311</i>	316 Stainless	0.70 mm	Cup Point - Standard - DIN 916	0.318 <i>0.013</i>
# SS016M-0030-S6	M1.6x0.35 (M1.6 Standard)	3.0 <i>0.118</i>	316 Stainless	0.70 mm	Cup Point - Standard - DIN 916	0.350 <i>0.014</i>
# SS016M-0040-S6	M1.6x0.35 (M1.6 Standard)	4.0 <i>0.157</i>	316 Stainless	0.70 mm	Cup Point - Standard - DIN 916	0.350 <i>0.014</i>
# SS016M-0050-S6	M1.6x0.35 (M1.6 Standard)	5.0 <i>0.197</i>	316 Stainless	0.70 mm	Cup Point - Standard - DIN 916	0.350 <i>0.014</i>
# SS016M-0060-S6	M1.6x0.35 (M1.6 Standard)	6.0 <i>0.236</i>	316 Stainless	0.70 mm	Cup Point - Standard - DIN 916	0.350 <i>0.014</i>
# SS020M-0025-S6	M2x0.4 (2mm Standard)	2.5 <i>0.098</i>	316 Stainless	0.90 mm	Cup Point - Standard - DIN 916	0.400 <i>0.016</i>
# SS020M-0160-S6	M2x0.4 (2mm Standard)	16.0 <i>0.630</i>	316 Stainless	0.90 mm	Cup Point - Standard - DIN 916	0.400 <i>0.016</i>
# SS022C-0095-S6	2-56 UNC (2.184mm)	9.5 <i>0.374</i>	316 Stainless	0.90 mm	Cup Point - Standard - DIN 916	0.454 <i>0.018</i>

Indicates item not stocked at time of printing - Please enquire for lead time

Page 4 of 32

E&OE Pricing and all details subject to change without notice - Copyright Miniature Bearings Australia Pty Ltd

MBA Size Listings are a guide to sizes only and must not be solely relied on for critical design information.

Socket Set Screws - Cup Point - Standard - 316 Stainless Steel - DIN916

Part Number	Thread Size	Thread Length (L) mm <i>inches</i>	Material	Hex Key Size mm <i>inches</i>	Type	Pitch mm <i>inches</i>
# SS022C-0127-S6	2-56 UNC (2.184mm)	12.7 <i>0.500</i>	316 Stainless	0.90 mm	Cup Point - Standard - DIN 916	0.454 <i>0.018</i>
# SS025M-0080-S6	M2.5x0.45 (2.5mm Standard)	8.0 <i>0.315</i>	316 Stainless	1.27 mm	Cup Point - Standard - DIN 916	0.450 <i>0.018</i>
# SS025M-0100-S6	M2.5x0.45 (2.5mm Standard)	10.0 <i>0.394</i>	316 Stainless	1.27 mm	Cup Point - Standard - DIN 916	0.450 <i>0.018</i>
# SS025M-0120-S6	M2.5x0.45 (2.5mm Standard)	12.0 <i>0.472</i>	316 Stainless	1.27 mm	Cup Point - Standard - DIN 916	0.450 <i>0.018</i>
# SS025M-0160-S6	M2.5x0.45 (2.5mm Standard)	16.0 <i>0.630</i>	316 Stainless	1.30 mm	Cup Point - Standard - DIN 916	0.450 <i>0.018</i>
# SS025C-0032-S6	3-48 UNC (2.515mm)	3.2 <i>0.126</i>	316 Stainless	1.27 mm	Cup Point - Standard - DIN 916	0.529 <i>0.021</i>
# SS025C-0048-S6	3-48 UNC (2.515mm)	4.8 <i>0.189</i>	316 Stainless	1.27 mm	Cup Point - Standard - DIN 916	0.529 <i>0.021</i>
# SS028C-0032-S6	4-40 UNC (2.845mm)	3.2 <i>0.126</i>	316 Stainless	1.27 mm	Cup Point - Standard - DIN 916	0.635 <i>0.025</i>

Indicates item not stocked at time of printing - Please enquire for lead time

Page 5 of 32

E&OE Pricing and all details subject to change without notice - Copyright Miniature Bearings Australia Pty Ltd

MBA Size Listings are a guide to sizes only and must not be solely relied on for critical design information.

Socket Set Screws - Cup Point - Standard - 316 Stainless Steel - DIN916

Part Number	Thread Size	Thread Length (L) mm <i>inches</i>	Material	Hex Key Size mm <i>inches</i>	Type	Pitch mm <i>inches</i>
# SS028C-0048-S6	4-40 UNC (2.845mm)	4.8 <i>0.189</i>	316 Stainless	1.27 mm	Cup Point - Standard - DIN 916	0.635 <i>0.025</i>
# SS028C-0064-S6	4-40 UNC (2.845mm)	6.4 <i>0.252</i>	316 Stainless	1.27 mm	Cup Point - Standard - DIN 916	0.635 <i>0.025</i>
# SS028C-0095-S6	4-40 UNC (2.845mm)	9.5 <i>0.374</i>	316 Stainless	1.27 mm	Cup Point - Standard - DIN 916	0.635 <i>0.025</i>
# SS028C-0127-S6	4-40 UNC (2.845mm)	12.7 <i>0.500</i>	316 Stainless	1.27 mm	Cup Point - Standard - DIN 916	0.635 <i>0.025</i>
SS030M-0030-S6	M3x0.5 (3mm Standard)	3.0 <i>0.118</i>	316 Stainless	1.50 mm	Cup Point - Standard - DIN 916	0.500 <i>0.020</i>
SS030M-0040-S6	M3x0.5 (3mm Standard)	4.0 <i>0.157</i>	316 Stainless	1.50 mm	Cup Point - Standard - DIN 916	0.500 <i>0.020</i>
# SS030M-0050-S6	M3x0.5 (3mm Standard)	5.0 <i>0.197</i>	316 Stainless	1.50 mm	Cup Point - Standard - DIN 916	0.500 <i>0.020</i>
SS030M-0060-S6	M3x0.5 (3mm Standard)	6.0 <i>0.236</i>	316 Stainless	1.50 mm	Cup Point - Standard - DIN 916	0.500 <i>0.020</i>

Indicates item not stocked at time of printing - Please enquire for lead time

Page 6 of 32

E&OE Pricing and all details subject to change without notice - Copyright Miniature Bearings Australia Pty Ltd

MBA Size Listings are a guide to sizes only and must not be solely relied on for critical design information.

Socket Set Screws - Cup Point - Standard - 316 Stainless Steel - DIN916

Part Number	Thread Size	Thread Length (L) mm <i>inches</i>	Material	Hex Key Size mm <i>inches</i>	Type	Pitch mm <i>inches</i>
# SS030M-0080-S6	M3x0.5 (3mm Standard)	8.0 <i>0.315</i>	316 Stainless	1.50 mm	Cup Point - Standard - DIN 916	0.500 <i>0.020</i>
SS030M-0100-S6	M3x0.5 (3mm Standard)	10.0 <i>0.394</i>	316 Stainless	1.50 mm	Cup Point - Standard - DIN 916	0.500 <i>0.020</i>
# SS030M-0120-S6	M3x0.5 (3mm Standard)	12.0 <i>0.472</i>	316 Stainless	1.50 mm	Cup Point - Standard - DIN 916	0.500 <i>0.020</i>
# SS030M-0160-S6	M3x0.5 (3mm Standard)	16.0 <i>0.630</i>	316 Stainless	1.50 mm	Cup Point - Standard - DIN 916	0.500 <i>0.020</i>
SS030M-0200-S6	M3x0.5 (3mm Standard)	20.0 <i>0.787</i>	316 Stainless	1.50 mm	Cup Point - Standard - DIN 916	0.500 <i>0.020</i>
# SS030M-0250-S6	M3x0.5 (3mm Standard)	25.0 <i>0.984</i>	316 Stainless	1.50 mm	Cup Point - Standard - DIN 916	0.500 <i>0.020</i>
# SS030M-0300-S6	M3x0.5 (3mm Standard)	30.0 <i>1.181</i>	316 Stainless	1.50 mm	Cup Point - Standard - DIN 916	0.500 <i>0.020</i>
# SS032C-0032-S6	5-40 UNC (3.175mm)	3.2 <i>0.126</i>	316 Stainless	1.59 mm	Cup Point - Standard - DIN 916	0.635 <i>0.025</i>

Indicates item not stocked at time of printing - Please enquire for lead time

Page 7 of 32

E&OE Pricing and all details subject to change without notice - Copyright Miniature Bearings Australia Pty Ltd

MBA Size Listings are a guide to sizes only and must not be solely relied on for critical design information.

Socket Set Screws - Cup Point - Standard - 316 Stainless Steel - DIN916

Part Number	Thread Size	Thread Length (L) mm <i>inches</i>	Material	Hex Key Size mm <i>inches</i>	Type	Pitch mm <i>inches</i>
# SS032C-0064-S6	5-40 UNC (3.175mm)	6.4 <i>0.252</i>	316 Stainless	1.59 mm	Cup Point - Standard - DIN 916	0.635 <i>0.025</i>
# SS032C-0079-S6	5-40 UNC (3.175mm)	7.9 <i>0.311</i>	316 Stainless	1.59 mm	Cup Point - Standard - DIN 916	0.635 <i>0.025</i>
# SS032C-0095-S6	5-40 UNC (3.175mm)	9.5 <i>0.374</i>	316 Stainless	1.59 mm	Cup Point - Standard - DIN 916	0.635 <i>0.025</i>
# SS032C-0127-S6	5-40 UNC (3.175mm)	12.7 <i>0.500</i>	316 Stainless	1.59 mm	Cup Point - Standard - DIN 916	0.635 <i>0.025</i>
# SS032C-0159-S6	5-40 UNC (3.175mm)	15.9 <i>0.626</i>	316 Stainless	1.59 mm	Cup Point - Standard - DIN 916	0.635 <i>0.025</i>
# SS035C-0032-S6	6-32 UNC (3.5mm)	3.2 <i>0.126</i>	316 Stainless	1.59 mm	Cup Point - Standard - DIN 916	0.794 <i>0.031</i>
# SS035C-0048-S6	6-32 UNC (3.5mm)	4.8 <i>0.189</i>	316 Stainless	1.59 mm	Cup Point - Standard - DIN 916	0.794 <i>0.031</i>
# SS035C-0064-S6	6-32 UNC (3.5mm)	6.4 <i>0.252</i>	316 Stainless	1.59 mm	Cup Point - Standard - DIN 916	0.794 <i>0.031</i>

Indicates item not stocked at time of printing - Please enquire for lead time

Page 8 of 32

E&OE Pricing and all details subject to change without notice - Copyright Miniature Bearings Australia Pty Ltd

MBA Size Listings are a guide to sizes only and must not be solely relied on for critical design information.

Socket Set Screws - Cup Point - Standard - 316 Stainless Steel - DIN916

Part Number	Thread Size	Thread Length (L) mm <i>inches</i>	Material	Hex Key Size mm <i>inches</i>	Type	Pitch mm <i>inches</i>
# SS035C-0095-S6	6-32 UNC (3.5mm)	9.5 <i>0.374</i>	316 Stainless	1.59 mm	Cup Point - Standard - DIN 916	0.794 <i>0.031</i>
# SS035C-0127-S6	6-32 UNC (3.5mm)	12.7 <i>0.500</i>	316 Stainless	1.59 mm	Cup Point - Standard - DIN 916	0.794 <i>0.031</i>
# SS035C-0159-S6	6-32 UNC (3.5mm)	15.9 <i>0.626</i>	316 Stainless	1.59 mm	Cup Point - Standard - DIN 916	0.794 <i>0.031</i>
# SS035C-0191-S6	6-32 UNC (3.5mm)	19.1 <i>0.752</i>	316 Stainless	1.59 mm	Cup Point - Standard - DIN 916	0.794 <i>0.031</i>
# SS035C-0254-S6	6-32 UNC (3.5mm)	25.4 <i>1.000</i>	316 Stainless	1.59 mm	Cup Point - Standard - DIN 916	0.794 <i>0.031</i>
SS040M-0040-S6	M4x0.7 (4mm Standard)	4.0 <i>0.157</i>	316 Stainless	2.00 mm	Cup Point - Standard - DIN 916	0.700 <i>0.028</i>
# SS040M-0050-S6	M4x0.7 (4mm Standard)	5.0 <i>0.197</i>	316 Stainless	2.00 mm	Cup Point - Standard - DIN 916	0.700 <i>0.028</i>
SS040M-0060-S6	M4x0.7 (4mm Standard)	6.0 <i>0.236</i>	316 Stainless	2.00 mm	Cup Point - Standard - DIN 916	0.700 <i>0.028</i>

Indicates item not stocked at time of printing - Please enquire for lead time

Page 9 of 32

E&OE Pricing and all details subject to change without notice - Copyright Miniature Bearings Australia Pty Ltd

MBA Size Listings are a guide to sizes only and must not be solely relied on for critical design information.

Socket Set Screws - Cup Point - Standard - 316 Stainless Steel - DIN916

Part Number	Thread Size	Thread Length (L) mm <i>inches</i>	Material	Hex Key Size mm <i>inches</i>	Type	Pitch mm <i>inches</i>
SS040M-0080-S6	M4x0.7 (4mm Standard)	8.0 <i>0.315</i>	316 Stainless	2.00 mm	Cup Point - Standard - DIN 916	0.700 <i>0.028</i>
# SS040M-0100-S6	M4x0.7 (4mm Standard)	10.0 <i>0.394</i>	316 Stainless	2.00 mm	Cup Point - Standard - DIN 916	0.700 <i>0.028</i>
# SS040M-0120-S6	M4x0.7 (4mm Standard)	12.0 <i>0.472</i>	316 Stainless	2.00 mm	Cup Point - Standard - DIN 916	0.700 <i>0.028</i>
SS040M-0160-S6	M4x0.7 (4mm Standard)	16.0 <i>0.630</i>	316 Stainless	2.00 mm	Cup Point - Standard - DIN 916	0.700 <i>0.028</i>
# SS040M-0200-S6	M4x0.7 (4mm Standard)	20.0 <i>0.787</i>	316 Stainless	2.00 mm	Cup Point - Standard - DIN 916	0.700 <i>0.028</i>
SS040M-0250-S6	M4x0.7 (4mm Standard)	25.0 <i>0.984</i>	316 Stainless	2.00 mm	Cup Point - Standard - DIN 916	0.700 <i>0.028</i>
# SS040M-0300-S6	M4x0.7 (4mm Standard)	30.0 <i>1.181</i>	316 Stainless	2.00 mm	Cup Point - Standard - DIN 916	0.700 <i>0.028</i>
# SS042C-0048-S6	8-32 UNC (4.166mm)	4.8 <i>0.189</i>	316 Stainless		Cup Point - Standard - DIN 916	0.794 <i>0.031</i>

Indicates item not stocked at time of printing - Please enquire for lead time

Page 10 of 32

E&OE Pricing and all details subject to change without notice - Copyright Miniature Bearings Australia Pty Ltd

MBA Size Listings are a guide to sizes only and must not be solely relied on for critical design information.

Socket Set Screws - Cup Point - Standard - 316 Stainless Steel - DIN916

Part Number	Thread Size	Thread Length (L) mm <i>inches</i>	Material	Hex Key Size mm <i>inches</i>	Type	Pitch mm <i>inches</i>
# SS042C-0064-S6	8-32 UNC (4.166mm)	6.4 <i>0.252</i>	316 Stainless	1.98 mm	Cup Point - Standard - DIN 916	0.794 <i>0.031</i>
# SS042C-0079-S6	8-32 UNC (4.166mm)	7.9 <i>0.311</i>	316 Stainless	1.98 mm	Cup Point - Standard - DIN 916	0.794 <i>0.031</i>
# SS042C-0095-S6	8-32 UNC (4.166mm)	9.5 <i>0.374</i>	316 Stainless	1.98 mm	Cup Point - Standard - DIN 916	0.794 <i>0.031</i>
# SS042C-0127-S6	8-32 UNC (4.166mm)	12.7 <i>0.500</i>	316 Stainless	1.98 mm	Cup Point - Standard - DIN 916	0.794 <i>0.031</i>
# SS042C-0159-S6	8-32 UNC (4.166mm)	15.9 <i>0.626</i>	316 Stainless	1.98 mm	Cup Point - Standard - DIN 916	0.794 <i>0.031</i>
# SS042C-0191-S6	8-32 UNC (4.166mm)	19.1 <i>0.752</i>	316 Stainless	1.98 mm	Cup Point - Standard - DIN 916	0.794 <i>0.031</i>
# SS042C-0254-S6	8-32 UNC (4.166mm)	25.4 <i>1.000</i>	316 Stainless	1.98 mm	Cup Point - Standard - DIN 916	0.794 <i>0.031</i>
# SS048C-0048-S6	10-24 UNC (4.762mm)	4.8 <i>0.189</i>	316 Stainless	2.38 mm	Cup Point - Standard - DIN 916	1.058 <i>0.042</i>

Indicates item not stocked at time of printing - Please enquire for lead time

Page 11 of 32

E&OE Pricing and all details subject to change without notice - Copyright Miniature Bearings Australia Pty Ltd

MBA Size Listings are a guide to sizes only and must not be solely relied on for critical design information.

Socket Set Screws - Cup Point - Standard - 316 Stainless Steel - DIN916

Part Number	Thread Size	Thread Length (L) mm <i>inches</i>	Material	Hex Key Size mm <i>inches</i>	Type	Pitch mm <i>inches</i>
# SS048C-0064-S6	10-24 UNC (4.762mm)	6.4 <i>0.252</i>	316 Stainless	2.38 mm	Cup Point - Standard - DIN 916	1.058 <i>0.042</i>
# SS048C-0079-S6	10-24 UNC (4.762mm)	7.9 <i>0.311</i>	316 Stainless	2.38 mm	Cup Point - Standard - DIN 916	1.058 <i>0.042</i>
# SS048C-0095-S6	10-24 UNC (4.762mm)	9.5 <i>0.374</i>	316 Stainless	2.38 mm	Cup Point - Standard - DIN 916	1.058 <i>0.042</i>
SS048C-0127-S6	10-24 UNC (4.762mm)	12.7 <i>0.500</i>	316 Stainless	2.38 mm	Cup Point - Standard - DIN 916	1.058 <i>0.042</i>
# SS048C-0159-S6	10-24 UNC (4.762mm)	15.9 <i>0.626</i>	316 Stainless	2.38 mm	Cup Point - Standard - DIN 916	1.058 <i>0.042</i>
# SS048C-0191-S6	10-24 UNC (4.762mm)	19.1 <i>0.752</i>	316 Stainless	2.38 mm	Cup Point - Standard - DIN 916	1.058 <i>0.042</i>
# SS048C-0254-S6	10-24 UNC (4.762mm)	25.4 <i>1.000</i>	316 Stainless	2.38 mm	Cup Point - Standard - DIN 916	1.058 <i>0.042</i>
# SS048F-0064-S6	10-32 UNF (4.762mm)	6.4 <i>0.252</i>	316 Stainless	2.38 mm (3/32)	Cup Point - Standard - DIN 916	0.794 <i>0.031</i>

Indicates item not stocked at time of printing - Please enquire for lead time

Page 12 of 32

E&OE Pricing and all details subject to change without notice - Copyright Miniature Bearings Australia Pty Ltd

MBA Size Listings are a guide to sizes only and must not be solely relied on for critical design information.

Socket Set Screws - Cup Point - Standard - 316 Stainless Steel - DIN916

Part Number	Thread Size	Thread Length (L) mm <i>inches</i>	Material	Hex Key Size mm <i>inches</i>	Type	Pitch mm <i>inches</i>
# SS048F-0095-S6	10-32 UNF (4.762mm)	9.5 <i>0.374</i>	316 Stainless	2.38 mm (3/32)	Cup Point - Standard - DIN 916	0.794 <i>0.031</i>
# SS048F-0127-S6	10-32 UNF (4.762mm)	12.7 <i>0.500</i>	316 Stainless	2.38 mm (3/32)	Cup Point - Standard - DIN 916	0.794 <i>0.031</i>
# SS048F-0159-S6	10-32 UNF (4.762mm)	15.9 <i>0.626</i>	316 Stainless	2.38 mm (3/32)	Cup Point - Standard - DIN 916	0.794 <i>0.031</i>
# SS048F-0191-S6	10-32 UNF (4.762mm)	19.1 <i>0.752</i>	316 Stainless	2.38 mm (3/32)	Cup Point - Standard - DIN 916	0.794 <i>0.031</i>
# SS048F-0254-S6	10-32 UNF (4.762mm)	25.4 <i>1.000</i>	316 Stainless	2.38 mm (3/32)	Cup Point - Standard - DIN 916	0.794 <i>0.031</i>
# SS048F-0318-S6	10-32 UNF (4.762mm)	31.8 <i>1.252</i>	316 Stainless	2.38 mm (3/32)	Cup Point - Standard - DIN 916	0.794 <i>0.031</i>
# SS048F-0381-S6	10-32 UNF (4.762mm)	38.1 <i>1.500</i>	316 Stainless	2.38 mm (3/32)	Cup Point - Standard - DIN 916	0.794 <i>0.031</i>
SS050M-0050-S6	M5x0.8 (5mm Standard)	5.0 <i>0.197</i>	316 Stainless	2.50 mm	Cup Point - Standard - DIN 916	0.800 <i>0.031</i>

Indicates item not stocked at time of printing - Please enquire for lead time

Page 13 of 32

E&OE Pricing and all details subject to change without notice - Copyright Miniature Bearings Australia Pty Ltd

MBA Size Listings are a guide to sizes only and must not be solely relied on for critical design information.

Socket Set Screws - Cup Point - Standard - 316 Stainless Steel - DIN916

Part Number	Thread Size	Thread Length (L) mm	Material	Hex Key Size mm	Type	Pitch mm
		<i>inches</i>		<i>inches</i>		<i>inches</i>
# SS050M-0060-S6	M5x0.8 (5mm Standard)	6.0	316 Stainless	2.50 mm	Cup Point - Standard - DIN 916	0.800
		<i>0.236</i>				<i>0.031</i>
SS050M-0080-S6	M5x0.8 (5mm Standard)	8.0	316 Stainless	2.50 mm	Cup Point - Standard - DIN 916	0.800
		<i>0.315</i>				<i>0.031</i>
SS050M-0100-S6	M5x0.8 (5mm Standard)	10.0	316 Stainless	2.50 mm	Cup Point - Standard - DIN 916	0.800
		<i>0.394</i>				<i>0.031</i>
SS050M-0120-S6	M5x0.8 (5mm Standard)	12.0	316 Stainless	2.50 mm	Cup Point - Standard - DIN 916	0.800
		<i>0.472</i>				<i>0.031</i>
# SS050M-0160-S6	M5x0.8 (5mm Standard)	16.0	316 Stainless	2.50 mm	Cup Point - Standard - DIN 916	0.800
		<i>0.630</i>				<i>0.031</i>
# SS050M-0200-S6	M5x0.8 (5mm Standard)	20.0	316 Stainless	2.50 mm	Cup Point - Standard - DIN 916	0.800
		<i>0.787</i>				<i>0.031</i>
# SS050M-0250-S6	M5x0.8 (5mm Standard)	25.0	316 Stainless	2.50 mm	Cup Point - Standard - DIN 916	0.800
		<i>0.984</i>				<i>0.031</i>
SS050M-0350-S6	M5x0.8 (5mm Standard)	35.0	316 Stainless	2.50 mm	Cup Point - Standard - DIN 916	0.800
		<i>1.378</i>				<i>0.031</i>

Indicates item not stocked at time of printing - Please enquire for lead time

Page 14 of 32

E&OE Pricing and all details subject to change without notice - Copyright Miniature Bearings Australia Pty Ltd

MBA Size Listings are a guide to sizes only and must not be solely relied on for critical design information.

Socket Set Screws - Cup Point - Standard - 316 Stainless Steel - DIN916

Part Number	Thread Size	Thread Length (L) mm	Material	Hex Key Size mm	Type	Pitch mm
		<i>inches</i>		<i>inches</i>		<i>inches</i>
SS050M-0400-S6	M5x0.8 (5mm Standard)	40.0 <i>1.575</i>	316 Stainless	2.50 mm	Cup Point - Standard - DIN 916	0.800 <i>0.031</i>
SS060M-0060-S6	M6x1 (6mm Standard)	6.0 <i>0.236</i>	316 Stainless	3.00 mm	Cup Point - Standard - DIN 916	1.000 <i>0.039</i>
SS060M-0080-S6	M6x1 (6mm Standard)	8.0 <i>0.315</i>	316 Stainless	3.00 mm	Cup Point - Standard - DIN 916	1.000 <i>0.039</i>
# SS060M-0100-S6	M6x1 (6mm Standard)	10.0 <i>0.394</i>	316 Stainless	3.0 <i>0.118</i>	Cup Point - Standard - DIN 916	1.000 <i>0.039</i>
# SS060M-0120-S6	M6x1 (6mm Standard)	12.0 <i>0.472</i>	316 Stainless	3.00 mm	Cup Point - Standard - DIN 916	1.000 <i>0.039</i>
# SS060M-0160-S6	M6x1 (6mm Standard)	16.0 <i>0.630</i>	316 Stainless	3.00 mm	Cup Point - Standard - DIN 916	1.000 <i>0.039</i>
# SS060M-0200-S6	M6x1 (6mm Standard)	20.0 <i>0.787</i>	316 Stainless	3.00 mm	Cup Point - Standard - DIN 916	1.000 <i>0.039</i>
# SS060M-0250-S6	M6x1 (6mm Standard)	25.0 <i>0.984</i>	316 Stainless	3.00 mm	Cup Point - Standard - DIN 916	1.000 <i>0.039</i>

Indicates item not stocked at time of printing - Please enquire for lead time

Page 15 of 32

E&OE Pricing and all details subject to change without notice - Copyright Miniature Bearings Australia Pty Ltd

MBA Size Listings are a guide to sizes only and must not be solely relied on for critical design information.

Socket Set Screws - Cup Point - Standard - 316 Stainless Steel - DIN916

Part Number	Thread Size	Thread Length (L) mm <i>inches</i>	Material	Hex Key Size mm <i>inches</i>	Type	Pitch mm <i>inches</i>
SS060M-0300-S6	M6x1 (6mm Standard)	30.0 <i>1.181</i>	316 Stainless	3.00 mm	Cup Point - Standard - DIN 916	1.000 <i>0.039</i>
# SS060M-0350-S6	M6x1 (6mm Standard)	35.0 <i>1.378</i>	316 Stainless	3.00 mm	Cup Point - Standard - DIN 916	1.000 <i>0.039</i>
# SS060M-0400-S6	M6x1 (6mm Standard)	40.0 <i>1.575</i>	316 Stainless	3.00 mm	Cup Point - Standard - DIN 916	1.000 <i>0.039</i>
# SS060M-0500-S6	M6x1 (6mm Standard)	50.0 <i>1.969</i>	316 Stainless	3.00 mm	Cup Point - Standard - DIN 916	1.000 <i>0.039</i>
# SS064C-0048-S6	1/4-20 UNC (6.35mm)	4.8 <i>0.189</i>	316 Stainless	3.18 mm (1/8)	Cup Point - Standard - DIN 916	1.270 <i>0.050</i>
# SS064C-0064-S6	1/4-20 UNC (6.35mm)	6.4 <i>0.252</i>	316 Stainless	3.18 mm (1/8)	Cup Point - Standard - DIN 916	1.270 <i>0.050</i>
# SS064C-0079-S6	1/4-20 UNC (6.35mm)	7.9 <i>0.311</i>	316 Stainless	3.18 mm (1/8)	Cup Point - Standard - DIN 916	1.270 <i>0.050</i>
# SS064C-0095-S6	1/4-20 UNC (6.35mm)	9.5 <i>0.374</i>	316 Stainless	3.18 mm (1/8)	Cup Point - Standard - DIN 916	1.270 <i>0.050</i>

Indicates item not stocked at time of printing - Please enquire for lead time

Page 16 of 32

E&OE Pricing and all details subject to change without notice - Copyright Miniature Bearings Australia Pty Ltd

MBA Size Listings are a guide to sizes only and must not be solely relied on for critical design information.

Socket Set Screws - Cup Point - Standard - 316 Stainless Steel - DIN916

Part Number	Thread Size	Thread Length (L) mm <i>inches</i>	Material	Hex Key Size mm <i>inches</i>	Type	Pitch mm <i>inches</i>
# SS064C-0127-S6	1/4-20 UNC (6.35mm)	12.7 <i>0.500</i>	316 Stainless	3.18 mm (1/8)	Cup Point - Standard - DIN 916	1.270 <i>0.050</i>
# SS064C-0159-S6	1/4-20 UNC (6.35mm)	15.9 <i>0.626</i>	316 Stainless	3.18 mm (1/8)	Cup Point - Standard - DIN 916	1.270 <i>0.050</i>
# SS064C-0191-S6	1/4-20 UNC (6.35mm)	19.1 <i>0.752</i>	316 Stainless	3.18 mm (1/8)	Cup Point - Standard - DIN 916	1.270 <i>0.050</i>
# SS064C-0254-S6	1/4-20 UNC (6.35mm)	25.4 <i>1.000</i>	316 Stainless	3.18 mm (1/8)	Cup Point - Standard - DIN 916	1.270 <i>0.050</i>
# SS064C-0318-S6	1/4-20 UNC (6.35mm)	31.8 <i>1.252</i>	316 Stainless	3.18 mm (1/8)	Cup Point - Standard - DIN 916	1.270 <i>0.050</i>
# SS064C-0381-S6	1/4-20 UNC (6.35mm)	38.1 <i>1.500</i>	316 Stainless	3.18 mm (1/8)	Cup Point - Standard - DIN 916	1.270 <i>0.050</i>
# SS064F-0064-S6	1/4-28 UNF (6.35mm)	6.4 <i>0.252</i>	316 Stainless	3.18 mm (1/8)	Cup Point - Standard - DIN 916	0.907 <i>0.036</i>
# SS064F-0079-S6	1/4-28 UNF (6.35mm)	7.9 <i>0.311</i>	316 Stainless	3.18 mm (1/8)	Cup Point - Standard - DIN 916	1.270 <i>0.050</i>

Indicates item not stocked at time of printing - Please enquire for lead time

Page 17 of 32

E&OE Pricing and all details subject to change without notice - Copyright Miniature Bearings Australia Pty Ltd
MBA Size Listings are a guide to sizes only and must not be solely relied on for critical design information.

Socket Set Screws - Cup Point - Standard - 316 Stainless Steel - DIN916

Part Number	Thread Size	Thread Length (L) mm <i>inches</i>	Material	Hex Key Size mm <i>inches</i>	Type	Pitch mm <i>inches</i>
# SS064F-0095-S6	1/4-28 UNF (6.35mm)	9.5 <i>0.374</i>	316 Stainless	3.18 mm (1/8)	Cup Point - Standard - DIN 916	0.907 <i>0.036</i>
# SS064F-0127-S6	1/4-28 UNF (6.35mm)	12.7 <i>0.500</i>	316 Stainless	3.18 mm (1/8)	Cup Point - Standard - DIN 916	0.907 <i>0.036</i>
# SS064F-0159-S6	1/4-28 UNF (6.35mm)	15.9 <i>0.626</i>	316 Stainless	3.18 mm (1/8)	Cup Point - Standard - DIN 916	1.270 <i>0.050</i>
# SS064F-0191-S6	1/4-28 UNF (6.35mm)	19.1 <i>0.752</i>	316 Stainless	3.18 mm (1/8)	Cup Point - Standard - DIN 916	1.270 <i>0.050</i>
# SS064F-0254-S6	1/4-28 UNF (6.35mm)	25.4 <i>1.000</i>	316 Stainless	3.18 mm (1/8)	Cup Point - Standard - DIN 916	1.270 <i>0.050</i>
# SS064F-0318-S6	1/4-28 UNF (6.35mm)	31.8 <i>1.252</i>	316 Stainless	3.18 mm (1/8)	Cup Point - Standard - DIN 916	1.270 <i>0.050</i>
# SS064F-0381-S6	1/4-28 UNF (6.35mm)	38.1 <i>1.500</i>	316 Stainless	3.18 mm (1/8)	Cup Point - Standard - DIN 916	1.270 <i>0.050</i>
# SS079C-0064-S6	5/16-18 UNC (7.938mm)	6.4 <i>0.252</i>	316 Stainless	3.97 mm	Cup Point - Standard - DIN 916	1.411 <i>0.056</i>

Indicates item not stocked at time of printing - Please enquire for lead time

Page 18 of 32

E&OE Pricing and all details subject to change without notice - Copyright Miniature Bearings Australia Pty Ltd
MBA Size Listings are a guide to sizes only and must not be solely relied on for critical design information.

Socket Set Screws - Cup Point - Standard - 316 Stainless Steel - DIN916

Part Number	Thread Size	Thread Length (L) mm <i>inches</i>	Material	Hex Key Size mm <i>inches</i>	Type	Pitch mm <i>inches</i>
# SS079C-0079-S6	5/16-18 UNC (7.938mm)	7.9 <i>0.311</i>	316 Stainless	3.97 mm	Cup Point - Standard - DIN 916	1.411 <i>0.056</i>
# SS079C-0095-S6	5/16-18 UNC (7.938mm)	9.5 <i>0.374</i>	316 Stainless	3.97 mm	Cup Point - Standard - DIN 916	1.411 <i>0.056</i>
# SS079C-0127-S6	5/16-18 UNC (7.938mm)	12.7 <i>0.500</i>	316 Stainless	3.97 mm	Cup Point - Standard - DIN 916	1.411 <i>0.056</i>
# SS079C-0159-S6	5/16-18 UNC (7.938mm)	15.9 <i>0.626</i>	316 Stainless	3.97 mm	Cup Point - Standard - DIN 916	1.411 <i>0.056</i>
# SS079C-0191-S6	5/16-18 UNC (7.938mm)	19.1 <i>0.752</i>	316 Stainless	3.97 mm	Cup Point - Standard - DIN 916	1.411 <i>0.056</i>
# SS079C-0254-S6	5/16-18 UNC (7.938mm)	25.4 <i>1.000</i>	316 Stainless	3.97 mm	Cup Point - Standard - DIN 916	1.411 <i>0.056</i>
# SS079C-0318-S6	5/16-18 UNC (7.938mm)	31.8 <i>1.252</i>	316 Stainless	3.97 mm	Cup Point - Standard - DIN 916	1.411 <i>0.056</i>
# SS079C-0381-S6	5/16-18 UNC (7.938mm)	38.1 <i>1.500</i>	316 Stainless	3.97 mm	Cup Point - Standard - DIN 916	1.411 <i>0.056</i>

Indicates item not stocked at time of printing - Please enquire for lead time

Page 19 of 32

E&OE Pricing and all details subject to change without notice - Copyright Miniature Bearings Australia Pty Ltd

MBA Size Listings are a guide to sizes only and must not be solely relied on for critical design information.

Socket Set Screws - Cup Point - Standard - 316 Stainless Steel - DIN916

Part Number	Thread Size	Thread Length (L) mm <i>inches</i>	Material	Hex Key Size mm <i>inches</i>	Type	Pitch mm <i>inches</i>
# SS079F-0079-S6	5/16-24 UNF (7.938mm)	7.9 <i>0.311</i>	316 Stainless	3.97 mm	Cup Point - Standard - DIN 916	1.058 <i>0.042</i>
# SS079F-0095-S6	5/16-24 UNF (7.938mm)	9.5 <i>0.374</i>	316 Stainless	3.97 mm	Cup Point - Standard - DIN 916	1.058 <i>0.042</i>
# SS079F-0127-S6	5/16-24 UNF (7.938mm)	12.7 <i>0.500</i>	316 Stainless	3.97 mm	Cup Point - Standard - DIN 916	1.058 <i>0.042</i>
# SS079F-0159-S6	5/16-24 UNF (7.938mm)	15.9 <i>0.626</i>	316 Stainless	3.97 mm	Cup Point - Standard - DIN 916	1.058 <i>0.042</i>
# SS079F-0191-S6	5/16-24 UNF (7.938mm)	19.1 <i>0.752</i>	316 Stainless	3.97 mm	Cup Point - Standard - DIN 916	1.058 <i>0.042</i>
# SS079F-0254-S6	5/16-24 UNF (7.938mm)	25.4 <i>1.000</i>	316 Stainless	3.97 mm	Cup Point - Standard - DIN 916	1.058 <i>0.042</i>
# SS079F-0318-S6	5/16-24 UNF (7.938mm)	31.8 <i>1.252</i>	316 Stainless	3.97 mm	Cup Point - Standard - DIN 916	1.058 <i>0.042</i>
SS080M-0080-S6	M8x1.25 (8mm Standard)	8.0 <i>0.315</i>	316 Stainless	4.00 mm	Cup Point - Standard - DIN 916	1.250 <i>0.049</i>

Indicates item not stocked at time of printing - Please enquire for lead time

Page 20 of 32

E&OE Pricing and all details subject to change without notice - Copyright Miniature Bearings Australia Pty Ltd

MBA Size Listings are a guide to sizes only and must not be solely relied on for critical design information.

Socket Set Screws - Cup Point - Standard - 316 Stainless Steel - DIN916

Part Number	Thread Size	Thread Length (L) mm	Material	Hex Key Size mm	Type	Pitch mm
		<i>inches</i>		<i>inches</i>		<i>inches</i>
# SS080M-0100-S6	M8x1.25 (8mm Standard)	10.0 <i>0.394</i>	316 Stainless	4.00 mm	Cup Point - Standard - DIN 916	1.250 <i>0.049</i>
# SS080M-0120-S6	M8x1.25 (8mm Standard)	12.0 <i>0.472</i>	316 Stainless	4.00 mm	Cup Point - Standard - DIN 916	1.250 <i>0.049</i>
# SS080M-0160-S6	M8x1.25 (8mm Standard)	16.0 <i>0.630</i>	316 Stainless	4.00 mm	Cup Point - Standard - DIN 916	1.250 <i>0.049</i>
# SS080M-0200-S6	M8x1.25 (8mm Standard)	20.0 <i>0.787</i>	316 Stainless	4.00 mm	Cup Point - Standard - DIN 916	1.250 <i>0.049</i>
# SS080M-0250-S6	M8x1.25 (8mm Standard)	25.0 <i>0.984</i>	316 Stainless	4.00 mm	Cup Point - Standard - DIN 916	1.250 <i>0.049</i>
# SS080M-0300-S6	M8x1.25 (8mm Standard)	30.0 <i>1.181</i>	316 Stainless	4.00 mm	Cup Point - Standard - DIN 916	1.250 <i>0.049</i>
# SS080M-0350-S6	M8x1.25 (8mm Standard)	35.0 <i>1.378</i>	316 Stainless	4.00 mm	Cup Point - Standard - DIN 916	1.250 <i>0.049</i>
# SS080M-0400-S6	M8x1.25 (8mm Standard)	40.0 <i>1.575</i>	316 Stainless	4.00 mm	Cup Point - Standard - DIN 916	1.250 <i>0.049</i>

Indicates item not stocked at time of printing - Please enquire for lead time

Page 21 of 32

E&OE Pricing and all details subject to change without notice - Copyright Miniature Bearings Australia Pty Ltd

MBA Size Listings are a guide to sizes only and must not be solely relied on for critical design information.

Socket Set Screws - Cup Point - Standard - 316 Stainless Steel - DIN916

Part Number	Thread Size	Thread Length (L) mm <i>inches</i>	Material	Hex Key Size mm <i>inches</i>	Type	Pitch mm <i>inches</i>
# SS080M-0500-S6	M8x1.25 (8mm Standard)	50.0 <i>1.969</i>	316 Stainless	4.00 mm	Cup Point - Standard - DIN 916	1.250 <i>0.049</i>
# SS095C-0079-S6	3/8-16 UNC (9.525mm)	7.9 <i>0.311</i>	316 Stainless	4.76 mm	Cup Point - Standard - DIN 916	1.588 <i>0.063</i>
# SS095C-0095-S6	3/8-16 UNC (9.525mm)	9.5 <i>0.374</i>	316 Stainless	4.76 mm	Cup Point - Standard - DIN 916	1.588 <i>0.063</i>
SS095C-0127-S6	3/8-16 UNC (9.525mm)	12.7 <i>0.500</i>	316 Stainless	4.76 mm	Cup Point - Standard - DIN 916	1.588 <i>0.063</i>
# SS095C-0159-S6	3/8-16 UNC (9.525mm)	15.9 <i>0.626</i>	316 Stainless	4.76 mm	Cup Point - Standard - DIN 916	1.588 <i>0.063</i>
# SS095C-0191-S6	3/8-16 UNC (9.525mm)	19.1 <i>0.752</i>	316 Stainless	4.76 mm	Cup Point - Standard - DIN 916	1.588 <i>0.063</i>
# SS095C-0254-S6	3/8-16 UNC (9.525mm)	25.4 <i>1.000</i>	316 Stainless	4.76 mm	Cup Point - Standard - DIN 916	1.588 <i>0.063</i>
# SS095C-0318-S6	3/8-16 UNC (9.525mm)	31.8 <i>1.252</i>	316 Stainless	4.76 mm	Cup Point - Standard - DIN 916	1.588 <i>0.063</i>

Indicates item not stocked at time of printing - Please enquire for lead time

Page 22 of 32

E&OE Pricing and all details subject to change without notice - Copyright Miniature Bearings Australia Pty Ltd

MBA Size Listings are a guide to sizes only and must not be solely relied on for critical design information.

Socket Set Screws - Cup Point - Standard - 316 Stainless Steel - DIN916

Part Number	Thread Size	Thread Length (L) mm <i>inches</i>	Material	Hex Key Size mm <i>inches</i>	Type	Pitch mm <i>inches</i>
# SS095C-0381-S6	3/8-16 UNC (9.525mm)	38.1 <i>1.500</i>	316 Stainless	4.76 mm	Cup Point - Standard - DIN 916	1.588 <i>0.063</i>
# SS095C-0508-S6	3/8-16 UNC (9.525mm)	50.8 <i>2.000</i>	316 Stainless	4.76 mm	Cup Point - Standard - DIN 916	1.588 <i>0.063</i>
# SS095F-0127-S6	3/8-24 UNF (9.525mm)	12.7 <i>0.500</i>	316 Stainless	4.76 mm	Cup Point - Standard - DIN 916	1.058 <i>0.042</i>
# SS095F-0159-S6	3/8-24 UNF (9.525mm)	15.9 <i>0.626</i>	316 Stainless	4.76 mm	Cup Point - Standard - DIN 916	1.058 <i>0.042</i>
# SS095F-0191-S6	3/8-24 UNF (9.525mm)	19.1 <i>0.752</i>	316 Stainless	4.76 mm	Cup Point - Standard - DIN 916	1.058 <i>0.042</i>
# SS095F-0254-S6	3/8-24 UNF (9.525mm)	25.4 <i>1.000</i>	316 Stainless	4.76 mm	Cup Point - Standard - DIN 916	1.058 <i>0.042</i>
# SS095F-0318-S6	3/8-24 UNF (9.525mm)	31.8 <i>1.252</i>	316 Stainless	4.76 mm	Cup Point - Standard - DIN 916	1.058 <i>0.042</i>
# SS095F-0381-S6	3/8-24 UNF (9.525mm)	38.1 <i>1.500</i>	316 Stainless	4.76 mm	Cup Point - Standard - DIN 916	1.058 <i>0.042</i>

Indicates item not stocked at time of printing - Please enquire for lead time

Page 23 of 32

E&OE Pricing and all details subject to change without notice - Copyright Miniature Bearings Australia Pty Ltd

MBA Size Listings are a guide to sizes only and must not be solely relied on for critical design information.

Socket Set Screws - Cup Point - Standard - 316 Stainless Steel - DIN916

Part Number	Thread Size	Thread Length (L) mm <i>inches</i>	Material	Hex Key Size mm <i>inches</i>	Type	Pitch mm <i>inches</i>
# SS100M-0080-S6	M10x1.5 (10mm Standard)	8.0 <i>0.315</i>	316 Stainless	5.00 mm	Cup Point - Standard - DIN 916	1.500 <i>0.059</i>
# SS100M-0100-S6	M10x1.5 (10mm Standard)	10.0 <i>0.394</i>	316 Stainless	5.00 mm	Cup Point - Standard - DIN 916	1.500 <i>0.059</i>
# SS100M-0120-S6	M10x1.5 (10mm Standard)	12.0 <i>0.472</i>	316 Stainless	5.00 mm	Cup Point - Standard - DIN 916	1.500 <i>0.059</i>
# SS100M-0160-S6	M10x1.5 (10mm Standard)	16.0 <i>0.630</i>	316 Stainless	5.00 mm	Cup Point - Standard - DIN 916	1.500 <i>0.059</i>
# SS100M-0200-S6	M10x1.5 (10mm Standard)	20.0 <i>0.787</i>	316 Stainless	5.00 mm	Cup Point - Standard - DIN 916	1.500 <i>0.059</i>
# SS100M-0250-S6	M10x1.5 (10mm Standard)	25.0 <i>0.984</i>	316 Stainless	5.00 mm	Cup Point - Standard - DIN 916	1.500 <i>0.059</i>
# SS100M-0300-S6	M10x1.5 (10mm Standard)	30.0 <i>1.181</i>	316 Stainless	5.00 mm	Cup Point - Standard - DIN 916	1.500 <i>0.059</i>
# SS100M-0350-S6	M10x1.5 (10mm Standard)	35.0 <i>1.378</i>	316 Stainless	5.00 mm	Cup Point - Standard - DIN 916	1.500 <i>0.059</i>

Indicates item not stocked at time of printing - Please enquire for lead time

Page 24 of 32

E&OE Pricing and all details subject to change without notice - Copyright Miniature Bearings Australia Pty Ltd

MBA Size Listings are a guide to sizes only and must not be solely relied on for critical design information.

Socket Set Screws - Cup Point - Standard - 316 Stainless Steel - DIN916

Part Number	Thread Size	Thread Length (L) mm <i>inches</i>	Material	Hex Key Size mm <i>inches</i>	Type	Pitch mm <i>inches</i>
# SS100M-0400-S6	M10x1.5 (10mm Standard)	40.0 <i>1.575</i>	316 Stainless	5.00 mm	Cup Point - Standard - DIN 916	1.500 <i>0.059</i>
# SS100M-0450-S6	M10x1.5 (10mm Standard)	45.0 <i>1.772</i>	316 Stainless	5.00 mm	Cup Point - Standard - DIN 916	1.500 <i>0.059</i>
# SS100M-0500-S6	M10x1.5 (10mm Standard)	50.0 <i>1.969</i>	316 Stainless	5.00 mm	Cup Point - Standard - DIN 916	1.500 <i>0.059</i>
# SS100M-0600-S6	M10x1.5 (10mm Standard)	60.0 <i>2.362</i>	316 Stainless	5.00 mm	Cup Point - Standard - DIN 916	1.500 <i>0.059</i>
# SS120M-0120-S6	M12x1.75 (12mm Standard)	12.0 <i>0.472</i>	316 Stainless	6.00 mm	Cup Point - Standard - DIN 916	1.750 <i>0.069</i>
# SS120M-0160-S6	M12x1.75 (12mm Standard)	16.0 <i>0.630</i>	316 Stainless	6.00 mm	Cup Point - Standard - DIN 916	1.750 <i>0.069</i>
# SS120M-0200-S6	M12x1.75 (12mm Standard)	20.0 <i>0.787</i>	316 Stainless	6.00 mm	Cup Point - Standard - DIN 916	1.750 <i>0.069</i>
# SS120M-0250-S6	M12x1.75 (12mm Standard)	25.0 <i>0.984</i>	316 Stainless	6.00 mm	Cup Point - Standard - DIN 916	1.750 <i>0.069</i>

Indicates item not stocked at time of printing - Please enquire for lead time

Page 25 of 32

E&OE Pricing and all details subject to change without notice - Copyright Miniature Bearings Australia Pty Ltd

MBA Size Listings are a guide to sizes only and must not be solely relied on for critical design information.

Socket Set Screws - Cup Point - Standard - 316 Stainless Steel - DIN916

Part Number	Thread Size	Thread Length (L) mm <i>inches</i>	Material	Hex Key Size mm <i>inches</i>	Type	Pitch mm <i>inches</i>
# SS120M-0300-S6	M12x1.75 (12mm Standard)	30.0 <i>1.181</i>	316 Stainless	6.00 mm	Cup Point - Standard - DIN 916	1.750 <i>0.069</i>
# SS120M-0350-S6	M12x1.75 (12mm Standard)	35.0 <i>1.378</i>	316 Stainless	6.00 mm	Cup Point - Standard - DIN 916	1.750 <i>0.069</i>
# SS120M-0400-S6	M12x1.75 (12mm Standard)	40.0 <i>1.575</i>	316 Stainless	6.00 mm	Cup Point - Standard - DIN 916	1.750 <i>0.069</i>
# SS120M-0450-S6	M12x1.75 (12mm Standard)	45.0 <i>1.772</i>	316 Stainless	6.00 mm	Cup Point - Standard - DIN 916	1.750 <i>0.069</i>
# SS120M-0500-S6	M12x1.75 (12mm Standard)	50.0 <i>1.969</i>	316 Stainless	6.00 mm	Cup Point - Standard - DIN 916	1.750 <i>0.069</i>
# SS120M-0600-S6	M12x1.75 (12mm Standard)	60.0 <i>2.362</i>	316 Stainless	6.00 mm	Cup Point - Standard - DIN 916	1.750 <i>0.069</i>
# SS127C-0127-S6	1/2-13 UNC (12.7mm)	12.7 <i>0.500</i>	316 Stainless	6.35 mm	Cup Point - Standard - DIN 916	1.954 <i>0.077</i>
# SS127C-0159-S6	1/2-13 UNC (12.7mm)	15.9 <i>0.626</i>	316 Stainless	6.35 mm	Cup Point - Standard - DIN 916	1.954 <i>0.077</i>

Indicates item not stocked at time of printing - Please enquire for lead time

Page 26 of 32

E&OE Pricing and all details subject to change without notice - Copyright Miniature Bearings Australia Pty Ltd
MBA Size Listings are a guide to sizes only and must not be solely relied on for critical design information.

Socket Set Screws - Cup Point - Standard - 316 Stainless Steel - DIN916

Part Number	Thread Size	Thread Length (L) mm	Material	Hex Key Size mm	Type	Pitch mm
		<i>inches</i>		<i>inches</i>		<i>inches</i>
# SS127C-0191-S6	1/2-13 UNC (12.7mm)	19.1	316 Stainless	6.35 mm	Cup Point - Standard - DIN 916	1.954
		<i>0.752</i>				<i>0.077</i>
# SS127C-0254-S6	1/2-13 UNC (12.7mm)	25.4	316 Stainless	6.35 mm	Cup Point - Standard - DIN 916	1.954
		<i>1.000</i>				<i>0.077</i>
# SS127C-0318-S6	1/2-13 UNC (12.7mm)	31.8	316 Stainless	6.35 mm	Cup Point - Standard - DIN 916	1.954
		<i>1.252</i>				<i>0.077</i>
# SS127C-0381-S6	1/2-13 UNC (12.7mm)	38.1	316 Stainless	6.35 mm	Cup Point - Standard - DIN 916	1.954
		<i>1.500</i>				<i>0.077</i>
# SS127C-0508-S6	1/2-13 UNC (12.7mm)	50.8	316 Stainless	6.35 mm	Cup Point - Standard - DIN 916	1.954
		<i>2.000</i>				<i>0.077</i>
# SS127W-0127-S6	1/2-12 BSW (12.7mm)	12.7	316 Stainless	6.35 mm	Cup Point - Standard - DIN 916	2.117
		<i>0.500</i>				<i>0.083</i>
# SS127W-0159-S6	1/2-12 BSW (12.7mm)	15.9	316 Stainless	6.35 mm	Cup Point - Standard - DIN 916	2.117
		<i>0.626</i>				<i>0.083</i>
# SS127W-0191-S6	1/2-12 BSW (12.7mm)	19.1	316 Stainless	6.35 mm	Cup Point - Standard - DIN 916	2.117
		<i>0.752</i>				<i>0.083</i>

Indicates item not stocked at time of printing - Please enquire for lead time

Page 27 of 32

E&OE Pricing and all details subject to change without notice - Copyright Miniature Bearings Australia Pty Ltd

MBA Size Listings are a guide to sizes only and must not be solely relied on for critical design information.

Socket Set Screws - Cup Point - Standard - 316 Stainless Steel - DIN916

Part Number	Thread Size	Thread Length (L) mm	Material	Hex Key Size mm	Type	Pitch mm
		<i>inches</i>		<i>inches</i>		<i>inches</i>
# SS127W-0254-S6	1/2-12 BSW (12.7mm)	25.4	316 Stainless	6.35 mm	Cup Point - Standard - DIN 916	2.117
		<i>1.000</i>				<i>0.083</i>
# SS127W-0318-S6	1/2-12 BSW (12.7mm)	31.8	316 Stainless	6.35 mm	Cup Point - Standard - DIN 916	2.117
		<i>1.252</i>				<i>0.083</i>
# SS127W-0381-S6	1/2-12 BSW (12.7mm)	38.1	316 Stainless	6.35 mm	Cup Point - Standard - DIN 916	2.117
		<i>1.500</i>				<i>0.083</i>
# SS127F-0127-S6	1/2-20 UNF (12.7mm)	12.7	316 Stainless	6.35 mm (1/4)	Cup Point - Standard - DIN 916	1.270
		<i>0.500</i>				<i>0.050</i>
# SS127F-0159-S6	1/2-20 UNF (12.7mm)	15.9	316 Stainless	6.35 mm (1/4)	Cup Point - Standard - DIN 916	1.270
		<i>0.626</i>				<i>0.050</i>
# SS127F-0191-S6	1/2-20 UNF (12.7mm)	19.1	316 Stainless	6.35 mm (1/4)	Cup Point - Standard - DIN 916	1.270
		<i>0.752</i>				<i>0.050</i>
# SS127F-0254-S6	1/2-20 UNF (12.7mm)	25.4	316 Stainless	6.35 mm (1/4)	Cup Point - Standard - DIN 916	1.270
		<i>1.000</i>				<i>0.050</i>
# SS127F-0318-S6	1/2-20 UNF (12.7mm)	31.8	316 Stainless	6.35 mm (1/4)	Cup Point - Standard - DIN 916	1.270
		<i>1.252</i>				<i>0.050</i>

Indicates item not stocked at time of printing - Please enquire for lead time

Page 28 of 32

E&OE Pricing and all details subject to change without notice - Copyright Miniature Bearings Australia Pty Ltd

MBA Size Listings are a guide to sizes only and must not be solely relied on for critical design information.

Socket Set Screws - Cup Point - Standard - 316 Stainless Steel - DIN916

Part Number	Thread Size	Thread Length (L) mm <i>inches</i>	Material	Hex Key Size mm <i>inches</i>	Type	Pitch mm <i>inches</i>
# SS127F-0381-S6	1/2-20 UNF (12.7mm)	38.1 <i>1.500</i>	316 Stainless	6.35 mm (1/4)	Cup Point - Standard - DIN 916	1.270 <i>0.050</i>
# SS159C-0159-S6	5/8-11 UNC (15.875mm)	15.9 <i>0.626</i>	316 Stainless	7.94 mm	Cup Point - Standard - DIN 916	2.309 <i>0.091</i>
# SS159C-0191-S6	5/8-11 UNC (15.875mm)	19.1 <i>0.752</i>	316 Stainless	7.94 mm	Cup Point - Standard - DIN 916	2.309 <i>0.091</i>
# SS159C-0254-S6	5/8-11 UNC (15.875mm)	25.4 <i>1.000</i>	316 Stainless	7.94 mm	Cup Point - Standard - DIN 916	2.309 <i>0.091</i>
# SS159C-0381-S6	5/8-11 UNC (15.875mm)	38.1 <i>1.500</i>	316 Stainless	7.94 mm	Cup Point - Standard - DIN 916	2.309 <i>0.091</i>
# SS159C-0508-S6	5/8-11 UNC (15.875mm)	50.8 <i>2.000</i>	316 Stainless	7.94 mm	Cup Point - Standard - DIN 916	2.309 <i>0.091</i>
# SS160M-0160-S6	M16x2 (16mm Standard)	16.0 <i>0.630</i>	316 Stainless	8.00 mm	Cup Point - Standard - DIN 916	2.000 <i>0.079</i>
# SS160M-0200-S6	M16x2 (16mm Standard)	20.0 <i>0.787</i>	316 Stainless	8.00 mm	Cup Point - Standard - DIN 916	2.000 <i>0.079</i>

Indicates item not stocked at time of printing - Please enquire for lead time

Page 29 of 32

E&OE Pricing and all details subject to change without notice - Copyright Miniature Bearings Australia Pty Ltd
MBA Size Listings are a guide to sizes only and must not be solely relied on for critical design information.

Socket Set Screws - Cup Point - Standard - 316 Stainless Steel - DIN916

Part Number	Thread Size	Thread Length (L) mm	Material	Hex Key Size mm	Type	Pitch mm
		<i>inches</i>		<i>inches</i>		<i>inches</i>
# SS160M-0250-S6	M16x2 (16mm Standard)	25.0 <i>0.984</i>	316 Stainless	8.00 mm	Cup Point - Standard - DIN 916	2.000 <i>0.079</i>
# SS160M-0300-S6	M16x2 (16mm Standard)	30.0 <i>1.181</i>	316 Stainless	8.00 mm	Cup Point - Standard - DIN 916	2.000 <i>0.079</i>
# SS160M-0350-S6	M16x2 (16mm Standard)	35.0 <i>1.378</i>	316 Stainless	8.00 mm	Cup Point - Standard - DIN 916	2.000 <i>0.079</i>
# SS160M-0400-S6	M16x2 (16mm Standard)	40.0 <i>1.575</i>	316 Stainless	8.00 mm	Cup Point - Standard - DIN 916	2.000 <i>0.079</i>
# SS160M-0450-S6	M16x2 (16mm Standard)	45.0 <i>1.772</i>	316 Stainless	8.00 mm	Cup Point - Standard - DIN 916	2.000 <i>0.079</i>
# SS160M-0500-S6	M16x2 (16mm Standard)	50.0 <i>1.969</i>	316 Stainless	8.00 mm	Cup Point - Standard - DIN 916	2.000 <i>0.079</i>
# SS160M-0600-S6	M16x2 (16mm Standard)	60.0 <i>2.362</i>	316 Stainless	8.00 mm	Cup Point - Standard - DIN 916	2.000 <i>0.079</i>
# SS160M-0700-S6	M16x2 (16mm Standard)	70.0 <i>2.756</i>	316 Stainless	8.00 mm	Cup Point - Standard - DIN 916	2.000 <i>0.079</i>

Indicates item not stocked at time of printing - Please enquire for lead time

Page 30 of 32

E&OE Pricing and all details subject to change without notice - Copyright Miniature Bearings Australia Pty Ltd

MBA Size Listings are a guide to sizes only and must not be solely relied on for critical design information.

Socket Set Screws - Cup Point - Standard - 316 Stainless Steel - DIN916

Part Number	Thread Size	Thread Length (L) mm <i>inches</i>	Material	Hex Key Size mm <i>inches</i>	Type	Pitch mm <i>inches</i>
# SS160M-0800-S6	M16x2 (16mm Standard)	80.0 <i>3.150</i>	316 Stainless	8.00 mm	Cup Point - Standard - DIN 916	2.000 <i>0.079</i>
# SS160M-0900-S6	M16x2 (16mm Standard)	90.0 <i>3.543</i>	316 Stainless	8.00 mm	Cup Point - Standard - DIN 916	2.000 <i>0.079</i>
# SS160M-1000-S6	M16x2 (16mm Standard)	100.0 <i>3.937</i>	316 Stainless	8.00 mm	Cup Point - Standard - DIN 916	2.000 <i>0.079</i>
# SS200M-0200-S6	M20x2.5 (20mm Standard)	20.0 <i>0.787</i>	316 Stainless	10.00 mm	Cup Point - Standard - DIN 916	2.500 <i>0.098</i>
# SS200M-0250-S6	M20x2.5 (20mm Standard)	25.0 <i>0.984</i>	316 Stainless	10.00 mm	Cup Point - Standard - DIN 916	2.500 <i>0.098</i>
# SS200M-0300-S6	M20x2.5 (20mm Standard)	30.0 <i>1.181</i>	316 Stainless	10.00 mm	Cup Point - Standard - DIN 916	2.500 <i>0.098</i>
# SS200M-0400-S6	M20x2.5 (20mm Standard)	40.0 <i>1.575</i>	316 Stainless	10.00 mm	Cup Point - Standard - DIN 916	2.500 <i>0.098</i>
# SS200M-0500-S6	M20x2.5 (20mm Standard)	50.0 <i>1.969</i>	316 Stainless	10.00 mm	Cup Point - Standard - DIN 916	2.500 <i>0.098</i>

Indicates item not stocked at time of printing - Please enquire for lead time

Page 31 of 32

E&OE Pricing and all details subject to change without notice - Copyright Miniature Bearings Australia Pty Ltd

MBA Size Listings are a guide to sizes only and must not be solely relied on for critical design information.

Socket Set Screws - Cup Point - Standard - 316 Stainless Steel - DIN916

Part Number	Thread Size	Thread Length (L) mm	Material	Hex Key Size mm	Type	Pitch mm
		<i>inches</i>		<i>inches</i>		<i>inches</i>
# SS200M-0600-S6	M20x2.5 (20mm Standard)	60.0	316 Stainless	10.00 mm	Cup Point - Standard - DIN 916	2.500
		<i>2.362</i>				<i>0.098</i>
# SS240M-0250-S6	M24x3 (24mm Standard)	25.0	316 Stainless	12.00 mm	Cup Point - Standard - DIN 916	3.000
		<i>0.984</i>				<i>0.118</i>

Indicates item not stocked at time of printing - Please enquire for lead time

Page 32 of 32

E&OE Pricing and all details subject to change without notice - Copyright Miniature Bearings Australia Pty Ltd

MBA Size Listings are a guide to sizes only and must not be solely relied on for critical design information.

DISTRIBUTED BY

Distributed By:

