



# Socket Set Screws - Cup Point - Standard - Zinc Plated - DIN916

10/4/2018

# Indicates item not stocked at time of printing - Please enquire for lead time

E&OE Pricing and all details subject to change without notice - Copyright Miniature Bearings Australia Pty Ltd

MBA Size Listings are a guide to sizes only and must not be solely relied on for critical design information.

Page 1 of 28

## INFORMATION

Standard grub screws. UNC - UNF - BA - METRIC.

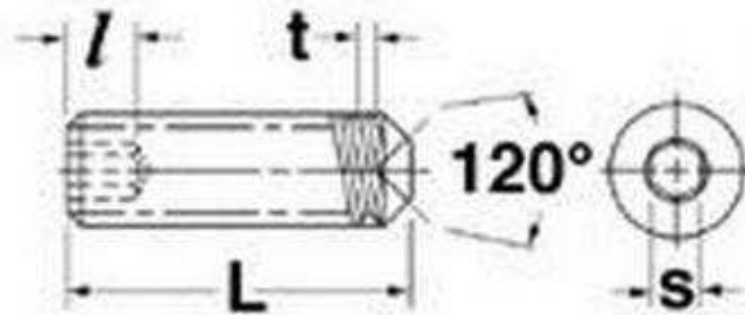
This catalogue to be read in conjunction with information at <http://www.minibearings.com.au//partslist/toolssetsfoldup/tools/all/1/>

**# Indicates item not stocked at time of printing - Please enquire for lead time**

**E&OE Pricing and all details subject to change without notice - Copyright Miniature Bearings Australia Pty Ltd**

**MBA Size Listings are a guide to sizes only and must not be solely relied on for critical design information.**

Cup Point  
Knurled Cup Point



# Indicates item not stocked at time of printing - Please enquire for lead time

E&OE Pricing and all details subject to change without notice - Copyright Miniature Bearings Australia Pty Ltd

MBA Size Listings are a guide to sizes only and must not be solely relied on for critical design information.

## Socket Set Screws - Cup Point - Standard - Zinc Plated - DIN916

Part Number	Thread Size	Thread Length (L) mm <i>inches</i>	Material	Hex Key Size mm <i>inches</i>	Type
SS040M-0040-CZ	M4x0.7 (4mm Standard)	4.0 <i>0.157</i>	Zinc Plated Hardened Steel		Cup Point - Standard - DIN 916
SS040M-0050-CZ	M4x0.7 (4mm Standard)	5.0 <i>0.197</i>	Zinc Plated Hardened Steel		Cup Point - Standard - DIN 916
SS040M-0060-CZ	M4x0.7 (4mm Standard)	6.0 <i>0.236</i>	Zinc Plated Hardened Steel		Cup Point - Standard - DIN 916
SS040M-0080-CZ	M4x0.7 (4mm Standard)	8.0 <i>0.315</i>	Zinc Plated Hardened Steel		Cup Point - Standard - DIN 916
SS040M-0100-CZ	M4x0.7 (4mm Standard)	10.0 <i>0.394</i>	Zinc Plated Hardened Steel		Cup Point - Standard - DIN 916
# SS040M-0120-CZ	M4x0.7 (4mm Standard)	12.0 <i>0.472</i>	Zinc Plated Hardened Steel		Cup Point - Standard - DIN 916
# SS040M-0250-CZ	M4x0.7 (4mm Standard)	25.0 <i>0.984</i>	Zinc Plated Hardened Steel		Cup Point - Standard - DIN 916
# SS048C-0032-CZ	10-24 UNC (4.762mm)	3.2 <i>0.126</i>	Zinc Plated Hardened Steel		
# SS048C-0048-CZ	10-24 UNC (4.762mm)	4.8 <i>0.189</i>	Zinc Plated Hardened Steel		
# SS048C-0064-CZ	10-24 UNC (4.762mm)	6.4 <i>0.252</i>	Zinc Plated Hardened Steel		

# Indicates item not stocked at time of printing - Please enquire for lead time

E&OE Pricing and all details subject to change without notice - Copyright Miniature Bearings Australia Pty Ltd

MBA Size Listings are a guide to sizes only and must not be solely relied on for critical design information.

## Socket Set Screws - Cup Point - Standard - Zinc Plated - DIN916

Part Number	Thread Size	Thread Length (L) mm <i>inches</i>	Material	Hex Key Size mm <i>inches</i>	Type
# SS048C-0080-CZ	10-24 UNC (4.762mm)	8.0 <i>0.315</i>	Zinc Plated Hardened Steel		
# SS048C-0096-CZ	10-24 UNC (4.762mm)	9.6 <i>0.378</i>	Zinc Plated Hardened Steel		
# SS048C-0127-CZ	10-24 UNC (4.762mm)	12.7 <i>0.500</i>	Zinc Plated Hardened Steel		
# SS048C-0159-CZ	10-24 UNC (4.762mm)	15.9 <i>0.626</i>	Zinc Plated Hardened Steel		
# SS048C-0191-CZ	10-24 UNC (4.762mm)	19.1 <i>0.752</i>	Zinc Plated Hardened Steel		
# SS048C-0223-CZ	10-24 UNC (4.762mm)	22.3 <i>0.878</i>	Zinc Plated Hardened Steel		
# SS048C-0254-CZ	10-24 UNC (4.762mm)	25.4 <i>1.000</i>	Zinc Plated Hardened Steel		
# SS048C-0318-CZ	10-24 UNC (4.762mm)	31.8 <i>1.252</i>	Zinc Plated Hardened Steel		
# SS048C-0381-CZ	10-24 UNC (4.762mm)	38.1 <i>1.500</i>	Zinc Plated Hardened Steel		
# SS048C-0445-CZ	10-24 UNC (4.762mm)	44.5 <i>1.752</i>	Zinc Plated Hardened Steel		

# Indicates item not stocked at time of printing - Please enquire for lead time

E&OE Pricing and all details subject to change without notice - Copyright Miniature Bearings Australia Pty Ltd

MBA Size Listings are a guide to sizes only and must not be solely relied on for critical design information.

## Socket Set Screws - Cup Point - Standard - Zinc Plated - DIN916

Part Number	Thread Size	Thread Length (L) mm <i>inches</i>	Material	Hex Key Size mm <i>inches</i>	Type
# SS048C-0508-CZ	10-24 UNC (4.762mm)	50.8 <i>2.000</i>	Zinc Plated Hardened Steel		
SS048F-0032-CZ	10-32 UNF (4.762mm)	3.2 <i>0.126</i>	Zinc Plated Hardened Steel		
# SS048F-0048-CZ	10-32 UNF (4.762mm)	4.8 <i>0.189</i>	Zinc Plated Hardened Steel		
SS048F-0064-CZ	10-32 UNF (4.762mm)	6.4 <i>0.252</i>	Zinc Plated Hardened Steel		
# SS048F-0080-CZ	10-32 UNF (4.762mm)	8.0 <i>0.315</i>	Zinc Plated Hardened Steel		
# SS048F-0096-CZ	10-32 UNF (4.762mm)	9.6 <i>0.378</i>	Zinc Plated Hardened Steel		
# SS048F-0127-CZ	10-32 UNF (4.762mm)	12.7 <i>0.500</i>	Zinc Plated Hardened Steel		
# SS048F-0159-CZ	10-32 UNF (4.762mm)	15.9 <i>0.626</i>	Zinc Plated Hardened Steel		
# SS048F-0191-CZ	10-32 UNF (4.762mm)	19.1 <i>0.752</i>	Zinc Plated Hardened Steel		
# SS048F-0223-CZ	10-32 UNF (4.762mm)	22.3 <i>0.878</i>	Zinc Plated Hardened Steel		

# Indicates item not stocked at time of printing - Please enquire for lead time

E&OE Pricing and all details subject to change without notice - Copyright Miniature Bearings Australia Pty Ltd

MBA Size Listings are a guide to sizes only and must not be solely relied on for critical design information.

## Socket Set Screws - Cup Point - Standard - Zinc Plated - DIN916

Part Number	Thread Size	Thread Length (L) mm <i>inches</i>	Material	Hex Key Size mm <i>inches</i>	Type
# SS048F-0254-CZ	10-32 UNF (4.762mm)	25.4 <i>1.000</i>	Zinc Plated Hardened Steel		
# SS048F-0318-CZ	10-32 UNF (4.762mm)	31.8 <i>1.252</i>	Zinc Plated Hardened Steel		
# SS048F-0381-CZ	10-32 UNF (4.762mm)	38.1 <i>1.500</i>	Zinc Plated Hardened Steel		
# SS050M-0050-CZ	M5x0.8 (5mm Standard)	5.0 <i>0.197</i>	Zinc Plated Hardened Steel		
# SS050M-0060-CZ	M5x0.8 (5mm Standard)	6.0 <i>0.236</i>	Zinc Plated Hardened Steel		
# SS050M-0080-CZ	M5x0.8 (5mm Standard)	8.0 <i>0.315</i>	Zinc Plated Hardened Steel		
# SS050M-0100-CZ	M5x0.8 (5mm Standard)	10.0 <i>0.394</i>	Zinc Plated Hardened Steel		
# SS050M-0120-CZ	M5x0.8 (5mm Standard)	12.0 <i>0.472</i>	Zinc Plated Hardened Steel		
# SS050M-0160-CZ	M5x0.8 (5mm Standard)	16.0 <i>0.630</i>	Zinc Plated Hardened Steel		
# SS050M-0200-CZ	M5x0.8 (5mm Standard)	20.0 <i>0.787</i>	Zinc Plated Hardened Steel		

# Indicates item not stocked at time of printing - Please enquire for lead time

E&OE Pricing and all details subject to change without notice - Copyright Miniature Bearings Australia Pty Ltd

MBA Size Listings are a guide to sizes only and must not be solely relied on for critical design information.

## Socket Set Screws - Cup Point - Standard - Zinc Plated - DIN916

Part Number	Thread Size	Thread Length (L) mm <i>inches</i>	Material	Hex Key Size mm <i>inches</i>	Type
# SS050M-0250-CZ	M5x0.8 (5mm Standard)	25.0 <i>0.984</i>	Zinc Plated Hardened Steel		
# SS050M-0300-CZ	M5x0.8 (5mm Standard)	30.0 <i>1.181</i>	Zinc Plated Hardened Steel		
SS060M-0060-CZ	M6x1 (6mm Standard)	6.0 <i>0.236</i>	Zinc Plated Hardened Steel	3.0 <i>0.118</i>	
# SS060M-0080-CZ	M6x1 (6mm Standard)	8.0 <i>0.315</i>	Zinc Plated Hardened Steel		
# SS060M-0100-CZ	M6x1 (6mm Standard)	10.0 <i>0.394</i>	Zinc Plated Hardened Steel	3.0 <i>0.118</i>	
# SS060M-0120-CZ	M6x1 (6mm Standard)	12.0 <i>0.472</i>	Zinc Plated Hardened Steel		
# SS060M-0160-CZ	M6x1 (6mm Standard)	16.0 <i>0.630</i>	Zinc Plated Hardened Steel		
# SS060M-0200-CZ	M6x1 (6mm Standard)	20.0 <i>0.787</i>	Zinc Plated Hardened Steel		
# SS060M-0250-CZ	M6x1 (6mm Standard)	25.0 <i>0.984</i>	Zinc Plated Hardened Steel		
# SS060M-0300-CZ	M6x1 (6mm Standard)	30.0 <i>1.181</i>	Zinc Plated Hardened Steel		

# Indicates item not stocked at time of printing - Please enquire for lead time

E&OE Pricing and all details subject to change without notice - Copyright Miniature Bearings Australia Pty Ltd

MBA Size Listings are a guide to sizes only and must not be solely relied on for critical design information.



## Socket Set Screws - Cup Point - Standard - Zinc Plated - DIN916

Part Number	Thread Size	Thread Length (L) mm <i>inches</i>	Material	Hex Key Size mm <i>inches</i>	Type
# SS060M-0350-CZ	M6x1 (6mm Standard)	35.0 <i>1.378</i>	Zinc Plated Hardened Steel		
# SS060M-0400-CZ	M6x1 (6mm Standard)	40.0 <i>1.575</i>	Zinc Plated Hardened Steel		
# SS060M-0450-CZ	M6x1 (6mm Standard)	45.0 <i>1.772</i>	Zinc Plated Hardened Steel		
# SS060M-0500-CZ	M6x1 (6mm Standard)	50.0 <i>1.969</i>	Zinc Plated Hardened Steel		
# SS064C-0048-CZ	1/4-20 UNC (6.35mm)	4.8 <i>0.189</i>	Zinc Plated Hardened Steel		
# SS064C-0064-CZ	1/4-20 UNC (6.35mm)	6.4 <i>0.252</i>	Zinc Plated Hardened Steel		
# SS064C-0080-CZ	1/4-20 UNC (6.35mm)	8.0 <i>0.315</i>	Zinc Plated Hardened Steel		
# SS064C-0096-CZ	1/4-20 UNC (6.35mm)	9.6 <i>0.378</i>	Zinc Plated Hardened Steel		
# SS064C-0112-CZ	1/4-20 UNC (6.35mm)	11.2 <i>0.441</i>	Zinc Plated Hardened Steel		
# SS064C-0127-CZ	1/4-20 UNC (6.35mm)	12.7 <i>0.500</i>	Zinc Plated Hardened Steel		

# Indicates item not stocked at time of printing - Please enquire for lead time

E&OE Pricing and all details subject to change without notice - Copyright Miniature Bearings Australia Pty Ltd

MBA Size Listings are a guide to sizes only and must not be solely relied on for critical design information.

## Socket Set Screws - Cup Point - Standard - Zinc Plated - DIN916

Part Number	Thread Size	Thread Length (L) mm <i>inches</i>	Material	Hex Key Size mm <i>inches</i>	Type
# SS064C-0159-CZ	1/4-20 UNC (6.35mm)	15.9 <i>0.626</i>	Zinc Plated Hardened Steel		
# SS064C-0191-CZ	1/4-20 UNC (6.35mm)	19.1 <i>0.752</i>	Zinc Plated Hardened Steel		
# SS064C-0254-CZ	1/4-20 UNC (6.35mm)	25.4 <i>1.000</i>	Zinc Plated Hardened Steel		
# SS064C-0286-CZ	1/4-20 UNC (6.35mm)	28.6 <i>1.126</i>	Zinc Plated Hardened Steel		
# SS064C-0318-CZ	1/4-20 UNC (6.35mm)	31.8 <i>1.252</i>	Zinc Plated Hardened Steel		
# SS064C-0381-CZ	1/4-20 UNC (6.35mm)	38.1 <i>1.500</i>	Zinc Plated Hardened Steel		
# SS064C-0445-CZ	1/4-20 UNC (6.35mm)	44.5 <i>1.752</i>	Zinc Plated Hardened Steel		
# SS064C-0508-CZ	1/4-20 UNC (6.35mm)	50.8 <i>2.000</i>	Zinc Plated Hardened Steel		
# SS064C-0635-CZ	1/4-20 UNC (6.35mm)	63.5 <i>2.500</i>	Zinc Plated Hardened Steel		
# SS064C-0762-CZ	1/4-20 UNC (6.35mm)	76.2 <i>3.000</i>	Zinc Plated Hardened Steel		

# Indicates item not stocked at time of printing - Please enquire for lead time

E&OE Pricing and all details subject to change without notice - Copyright Miniature Bearings Australia Pty Ltd

MBA Size Listings are a guide to sizes only and must not be solely relied on for critical design information.

## Socket Set Screws - Cup Point - Standard - Zinc Plated - DIN916

Part Number	Thread Size	Thread Length (L) mm <i>inches</i>	Material	Hex Key Size mm <i>inches</i>	Type
# SS064F-0048-CZ	1/4-28 UNF (6.35mm)	4.8 <i>0.189</i>	Zinc Plated Hardened Steel		
# SS064F-0064-CZ	1/4-28 UNF (6.35mm)	6.4 <i>0.252</i>	Zinc Plated Hardened Steel		
# SS064F-0080-CZ	1/4-28 UNF (6.35mm)	8.0 <i>0.315</i>	Zinc Plated Hardened Steel		
# SS064F-0096-CZ	1/4-28 UNF (6.35mm)	9.6 <i>0.378</i>	Zinc Plated Hardened Steel		
# SS064F-0127-CZ	1/4-28 UNF (6.35mm)	12.7 <i>0.500</i>	Zinc Plated Hardened Steel		
# SS064F-0159-CZ	1/4-28 UNF (6.35mm)	15.9 <i>0.626</i>	Zinc Plated Hardened Steel		
# SS064F-0191-CZ	1/4-28 UNF (6.35mm)	19.1 <i>0.752</i>	Zinc Plated Hardened Steel		
# SS064F-0254-CZ	1/4-28 UNF (6.35mm)	25.4 <i>1.000</i>	Zinc Plated Hardened Steel		
# SS064F-0318-CZ	1/4-28 UNF (6.35mm)	31.8 <i>1.252</i>	Zinc Plated Hardened Steel		
# SS064F-0381-CZ	1/4-28 UNF (6.35mm)	38.1 <i>1.500</i>	Zinc Plated Hardened Steel		

# Indicates item not stocked at time of printing - Please enquire for lead time

E&OE Pricing and all details subject to change without notice - Copyright Miniature Bearings Australia Pty Ltd

MBA Size Listings are a guide to sizes only and must not be solely relied on for critical design information.

## Socket Set Screws - Cup Point - Standard - Zinc Plated - DIN916

Part Number	Thread Size	Thread Length (L) mm <i>inches</i>	Material	Hex Key Size mm <i>inches</i>	Type
# SS064F-0508-CZ	1/4-28 UNF (6.35mm)	50.8 <i>2.000</i>	Zinc Plated Hardened Steel		
# SS079C-0064-CZ	5/16-18 UNC (7.938mm)	6.4 <i>0.252</i>	Zinc Plated Hardened Steel		
# SS079C-0080-CZ	5/16-18 UNC (7.938mm)	8.0 <i>0.315</i>	Zinc Plated Hardened Steel		
# SS079C-0096-CZ	5/16-18 UNC (7.938mm)	9.6 <i>0.378</i>	Zinc Plated Hardened Steel		
# SS079C-0127-CZ	5/16-18 UNC (7.938mm)	12.7 <i>0.500</i>	Zinc Plated Hardened Steel		
# SS079C-0159-CZ	5/16-18 UNC (7.938mm)	15.9 <i>0.626</i>	Zinc Plated Hardened Steel		
# SS079C-0191-CZ	5/16-18 UNC (7.938mm)	19.1 <i>0.752</i>	Zinc Plated Hardened Steel		
# SS079C-0223-CZ	5/16-18 UNC (7.938mm)	22.3 <i>0.878</i>	Zinc Plated Hardened Steel		
# SS079C-0254-CZ	5/16-18 UNC (7.938mm)	25.4 <i>1.000</i>	Zinc Plated Hardened Steel		
# SS079C-0318-CZ	5/16-18 UNC (7.938mm)	31.8 <i>1.252</i>	Zinc Plated Hardened Steel		

# Indicates item not stocked at time of printing - Please enquire for lead time

E&OE Pricing and all details subject to change without notice - Copyright Miniature Bearings Australia Pty Ltd

MBA Size Listings are a guide to sizes only and must not be solely relied on for critical design information.

## Socket Set Screws - Cup Point - Standard - Zinc Plated - DIN916

Part Number	Thread Size	Thread Length (L) mm <i>inches</i>	Material	Hex Key Size mm <i>inches</i>	Type
# SS079C-0381-CZ	5/16-18 UNC (7.938mm)	38.1 <i>1.500</i>	Zinc Plated Hardened Steel		
# SS079C-0445-CZ	5/16-18 UNC (7.938mm)	44.5 <i>1.752</i>	Zinc Plated Hardened Steel		
# SS079C-0508-CZ	5/16-18 UNC (7.938mm)	50.8 <i>2.000</i>	Zinc Plated Hardened Steel		
# SS079C-0635-CZ	5/16-18 UNC (7.938mm)	63.5 <i>2.500</i>	Zinc Plated Hardened Steel		
# SS079C-0762-CZ	5/16-18 UNC (7.938mm)	76.2 <i>3.000</i>	Zinc Plated Hardened Steel		
# SS079F-0064-CZ	5/16-24 UNF (7.938mm)	6.4 <i>0.252</i>	Zinc Plated Hardened Steel		
# SS079F-0080-CZ	5/16-24 UNF (7.938mm)	8.0 <i>0.315</i>	Zinc Plated Hardened Steel		
SS079F-0096-CZ	5/16-24 UNF (7.938mm)	9.6 <i>0.378</i>	Zinc Plated Hardened Steel		
# SS079F-0127-CZ	5/16-24 UNF (7.938mm)	12.7 <i>0.500</i>	Zinc Plated Hardened Steel		
# SS079F-0159-CZ	5/16-24 UNF (7.938mm)	15.9 <i>0.626</i>	Zinc Plated Hardened Steel		

# Indicates item not stocked at time of printing - Please enquire for lead time

E&OE Pricing and all details subject to change without notice - Copyright Miniature Bearings Australia Pty Ltd

MBA Size Listings are a guide to sizes only and must not be solely relied on for critical design information.

## Socket Set Screws - Cup Point - Standard - Zinc Plated - DIN916

Part Number	Thread Size	Thread Length (L) mm <i>inches</i>	Material	Hex Key Size mm <i>inches</i>	Type
# SS079F-0191-CZ	5/16-24 UNF (7.938mm)	19.1 <i>0.752</i>	Zinc Plated Hardened Steel		
# SS079F-0254-CZ	5/16-24 UNF (7.938mm)	25.4 <i>1.000</i>	Zinc Plated Hardened Steel		
# SS079F-0318-CZ	5/16-24 UNF (7.938mm)	31.8 <i>1.252</i>	Zinc Plated Hardened Steel		
# SS079F-0381-CZ	5/16-24 UNF (7.938mm)	38.1 <i>1.500</i>	Zinc Plated Hardened Steel		
# SS079F-0508-CZ	5/16-24 UNF (7.938mm)	50.8 <i>2.000</i>	Zinc Plated Hardened Steel		
# SS079F-0762-CZ	5/16-24 UNF (7.938mm)	76.2 <i>3.000</i>	Zinc Plated Hardened Steel		
# SS080M-0080-CZ	M8x1.25 (8mm Standard)	8.0 <i>0.315</i>	Zinc Plated Hardened Steel		
# SS080M-0100-CZ	M8x1.25 (8mm Standard)	10.0 <i>0.394</i>	Zinc Plated Hardened Steel		
# SS080M-0120-CZ	M8x1.25 (8mm Standard)	12.0 <i>0.472</i>	Zinc Plated Hardened Steel		
# SS080M-0160-CZ	M8x1.25 (8mm Standard)	16.0 <i>0.630</i>	Zinc Plated Hardened Steel		

# Indicates item not stocked at time of printing - Please enquire for lead time

E&OE Pricing and all details subject to change without notice - Copyright Miniature Bearings Australia Pty Ltd

MBA Size Listings are a guide to sizes only and must not be solely relied on for critical design information.

## Socket Set Screws - Cup Point - Standard - Zinc Plated - DIN916

Part Number	Thread Size	Thread Length (L) mm <i>inches</i>	Material	Hex Key Size mm <i>inches</i>	Type
# SS080M-0200-CZ	M8x1.25 (8mm Standard)	20.0 <i>0.787</i>	Zinc Plated Hardened Steel		
# SS080M-0250-CZ	M8x1.25 (8mm Standard)	25.0 <i>0.984</i>	Zinc Plated Hardened Steel		
# SS080M-0300-CZ	M8x1.25 (8mm Standard)	30.0 <i>1.181</i>	Zinc Plated Hardened Steel		
# SS080M-0350-CZ	M8x1.25 (8mm Standard)	35.0 <i>1.378</i>	Zinc Plated Hardened Steel		
# SS080M-0400-CZ	M8x1.25 (8mm Standard)	40.0 <i>1.575</i>	Zinc Plated Hardened Steel		
# SS080M-0450-CZ	M8x1.25 (8mm Standard)	45.0 <i>1.772</i>	Zinc Plated Hardened Steel		
# SS080M-0500-CZ	M8x1.25 (8mm Standard)	50.0 <i>1.969</i>	Zinc Plated Hardened Steel		
# SS080M-0600-CZ	M8x1.25 (8mm Standard)	60.0 <i>2.362</i>	Zinc Plated Hardened Steel		
# SS095C-0080-CZ	3/8-16 UNC (9.525mm)	8.0 <i>0.315</i>	Zinc Plated Hardened Steel		
# SS095C-0096-CZ	3/8-16 UNC (9.525mm)	9.6 <i>0.378</i>	Zinc Plated Hardened Steel		

# Indicates item not stocked at time of printing - Please enquire for lead time

E&OE Pricing and all details subject to change without notice - Copyright Miniature Bearings Australia Pty Ltd

MBA Size Listings are a guide to sizes only and must not be solely relied on for critical design information.

## Socket Set Screws - Cup Point - Standard - Zinc Plated - DIN916

Part Number	Thread Size	Thread Length (L) mm <i>inches</i>	Material	Hex Key Size mm <i>inches</i>	Type
# SS095C-0112-CZ	3/8-16 UNC (9.525mm)	11.2 <i>0.441</i>	Zinc Plated Hardened Steel		
# SS095C-0127-CZ	3/8-16 UNC (9.525mm)	12.7 <i>0.500</i>	Zinc Plated Hardened Steel		
SS095C-0159-CZ	3/8-16 UNC (9.525mm)	15.9 <i>0.626</i>	Zinc Plated Hardened Steel		
# SS095C-0191-CZ	3/8-16 UNC (9.525mm)	19.1 <i>0.752</i>	Zinc Plated Hardened Steel		
# SS095C-0254-CZ	3/8-16 UNC (9.525mm)	25.4 <i>1.000</i>	Zinc Plated Hardened Steel		
# SS095C-0318-CZ	3/8-16 UNC (9.525mm)	31.8 <i>1.252</i>	Zinc Plated Hardened Steel		
# SS095C-0381-CZ	3/8-16 UNC (9.525mm)	38.1 <i>1.500</i>	Zinc Plated Hardened Steel		
# SS095C-0445-CZ	3/8-16 UNC (9.525mm)	44.5 <i>1.752</i>	Zinc Plated Hardened Steel		
# SS095C-0508-CZ	3/8-16 UNC (9.525mm)	50.8 <i>2.000</i>	Zinc Plated Hardened Steel		
# SS095C-0572-CZ	3/8-16 UNC (9.525mm)	57.2 <i>2.252</i>	Zinc Plated Hardened Steel		

# Indicates item not stocked at time of printing - Please enquire for lead time

E&OE Pricing and all details subject to change without notice - Copyright Miniature Bearings Australia Pty Ltd

MBA Size Listings are a guide to sizes only and must not be solely relied on for critical design information.



## Socket Set Screws - Cup Point - Standard - Zinc Plated - DIN916

Part Number	Thread Size	Thread Length (L) mm <i>inches</i>	Material	Hex Key Size mm <i>inches</i>	Type
# SS095C-0635-CZ	3/8-16 UNC (9.525mm)	63.5 <i>2.500</i>	Zinc Plated Hardened Steel		
# SS095C-0699-CZ	3/8-16 UNC (9.525mm)	69.9 <i>2.752</i>	Zinc Plated Hardened Steel		
# SS095C-0762-CZ	3/8-16 UNC (9.525mm)	76.2 <i>3.000</i>	Zinc Plated Hardened Steel		
# SS095C-1016-CZ	3/8-16 UNC (9.525mm)	101.6 <i>4.000</i>	Zinc Plated Hardened Steel		
# SS095F-0080-CZ	3/8-24 UNF (9.525mm)	8.0 <i>0.315</i>	Zinc Plated Hardened Steel		
SS095F-0096-CZ	3/8-24 UNF (9.525mm)	9.6 <i>0.378</i>	Zinc Plated Hardened Steel		
SS095F-0127-CZ	3/8-24 UNF (9.525mm)	12.7 <i>0.500</i>	Zinc Plated Hardened Steel		
# SS095F-0159-CZ	3/8-24 UNF (9.525mm)	15.9 <i>0.626</i>	Zinc Plated Hardened Steel		
# SS095F-0191-CZ	3/8-24 UNF (9.525mm)	19.1 <i>0.752</i>	Zinc Plated Hardened Steel		
# SS095F-0254-CZ	3/8-24 UNF (9.525mm)	25.4 <i>1.000</i>	Zinc Plated Hardened Steel		

# Indicates item not stocked at time of printing - Please enquire for lead time

E&OE Pricing and all details subject to change without notice - Copyright Miniature Bearings Australia Pty Ltd

MBA Size Listings are a guide to sizes only and must not be solely relied on for critical design information.

## Socket Set Screws - Cup Point - Standard - Zinc Plated - DIN916

Part Number	Thread Size	Thread Length (L) mm <i>inches</i>	Material	Hex Key Size mm <i>inches</i>	Type
# SS095F-0318-CZ	3/8-24 UNF (9.525mm)	31.8 <i>1.252</i>	Zinc Plated Hardened Steel		
# SS095F-0381-CZ	3/8-24 UNF (9.525mm)	38.1 <i>1.500</i>	Zinc Plated Hardened Steel		
# SS095F-0508-CZ	3/8-24 UNF (9.525mm)	50.8 <i>2.000</i>	Zinc Plated Hardened Steel		
# SS100M-0100-CZ	M10x1.5 (10mm Standard)	10.0 <i>0.394</i>	Zinc Plated Hardened Steel		
# SS100M-0120-CZ	M10x1.5 (10mm Standard)	12.0 <i>0.472</i>	Zinc Plated Hardened Steel		
# SS100M-0160-CZ	M10x1.5 (10mm Standard)	16.0 <i>0.630</i>	Zinc Plated Hardened Steel		
# SS100M-0200-CZ	M10x1.5 (10mm Standard)	20.0 <i>0.787</i>	Zinc Plated Hardened Steel		
# SS100M-0250-CZ	M10x1.5 (10mm Standard)	25.0 <i>0.984</i>	Zinc Plated Hardened Steel		
# SS100M-0300-CZ	M10x1.5 (10mm Standard)	30.0 <i>1.181</i>	Zinc Plated Hardened Steel		
# SS100M-0350-CZ	M10x1.5 (10mm Standard)	35.0 <i>1.378</i>	Zinc Plated Hardened Steel		

# Indicates item not stocked at time of printing - Please enquire for lead time

E&OE Pricing and all details subject to change without notice - Copyright Miniature Bearings Australia Pty Ltd

MBA Size Listings are a guide to sizes only and must not be solely relied on for critical design information.

## Socket Set Screws - Cup Point - Standard - Zinc Plated - DIN916

Part Number	Thread Size	Thread Length (L) mm <i>inches</i>	Material	Hex Key Size mm <i>inches</i>	Type
# SS100M-0400-CZ	M10x1.5 (10mm Standard)	40.0 <i>1.575</i>	Zinc Plated Hardened Steel		
# SS100M-0450-CZ	M10x1.5 (10mm Standard)	45.0 <i>1.772</i>	Zinc Plated Hardened Steel		
# SS100M-0500-CZ	M10x1.5 (10mm Standard)	50.0 <i>1.969</i>	Zinc Plated Hardened Steel		
# SS100M-0550-CZ	M10x1.5 (10mm Standard)	55.0 <i>2.165</i>	Zinc Plated Hardened Steel		
# SS100M-0600-CZ	M10x1.5 (10mm Standard)	60.0 <i>2.362</i>	Zinc Plated Hardened Steel		
# SS111C-0096-CZ	7/16-14 UNC (11.113mm)	9.6 <i>0.378</i>	Zinc Plated Hardened Steel		
# SS111C-0112-CZ	7/16-14 UNC (11.113mm)	11.2 <i>0.441</i>	Zinc Plated Hardened Steel		
SS111C-0127-CZ	7/16-14 UNC (11.113mm)	12.7 <i>0.500</i>	Zinc Plated Hardened Steel		
# SS111C-0159-CZ	7/16-14 UNC (11.113mm)	15.9 <i>0.626</i>	Zinc Plated Hardened Steel		
# SS111C-0191-CZ	7/16-14 UNC (11.113mm)	19.1 <i>0.752</i>	Zinc Plated Hardened Steel		

# Indicates item not stocked at time of printing - Please enquire for lead time

E&OE Pricing and all details subject to change without notice - Copyright Miniature Bearings Australia Pty Ltd

MBA Size Listings are a guide to sizes only and must not be solely relied on for critical design information.

## Socket Set Screws - Cup Point - Standard - Zinc Plated - DIN916

Part Number	Thread Size	Thread Length (L) mm <i>inches</i>	Material	Hex Key Size mm <i>inches</i>	Type
# SS111C-0223-CZ	7/16-14 UNC (11.113mm)	22.3 <i>0.878</i>	Zinc Plated Hardened Steel		
# SS111C-0254-CZ	7/16-14 UNC (11.113mm)	25.4 <i>1.000</i>	Zinc Plated Hardened Steel		
# SS111C-0318-CZ	7/16-14 UNC (11.113mm)	31.8 <i>1.252</i>	Zinc Plated Hardened Steel		
# SS111C-0381-CZ	7/16-14 UNC (11.113mm)	38.1 <i>1.500</i>	Zinc Plated Hardened Steel		
# SS111C-0445-CZ	7/16-14 UNC (11.113mm)	44.5 <i>1.752</i>	Zinc Plated Hardened Steel		
# SS111C-0508-CZ	7/16-14 UNC (11.113mm)	50.8 <i>2.000</i>	Zinc Plated Hardened Steel		
# SS111C-0635-CZ	7/16-14 UNC (11.113mm)	63.5 <i>2.500</i>	Zinc Plated Hardened Steel		
# SS111C-0762-CZ	7/16-14 UNC (11.113mm)	76.2 <i>3.000</i>	Zinc Plated Hardened Steel		
# SS111F-0112-CZ	7/16-20 UNF (11.113mm)	11.2 <i>0.441</i>	Zinc Plated Hardened Steel		
# SS111F-0127-CZ	7/16-20 UNF (11.113mm)	12.7 <i>0.500</i>	Zinc Plated Hardened Steel		

# Indicates item not stocked at time of printing - Please enquire for lead time

E&OE Pricing and all details subject to change without notice - Copyright Miniature Bearings Australia Pty Ltd

MBA Size Listings are a guide to sizes only and must not be solely relied on for critical design information.

## Socket Set Screws - Cup Point - Standard - Zinc Plated - DIN916

Part Number	Thread Size	Thread Length (L) mm <i>inches</i>	Material	Hex Key Size mm <i>inches</i>	Type
# SS111F-0191-CZ	7/16-20 UNF (11.113mm)	19.1 <i>0.752</i>	Zinc Plated Hardened Steel		
# SS111F-0254-CZ	7/16-20 UNF (11.113mm)	25.4 <i>1.000</i>	Zinc Plated Hardened Steel		
# SS111F-0318-CZ	7/16-20 UNF (11.113mm)	31.8 <i>1.252</i>	Zinc Plated Hardened Steel		
# SS111F-0381-CZ	7/16-20 UNF (11.113mm)	38.1 <i>1.500</i>	Zinc Plated Hardened Steel		
# SS111F-0508-CZ	7/16-20 UNF (11.113mm)	50.8 <i>2.000</i>	Zinc Plated Hardened Steel		
# SS111F-0635-CZ	7/16-20 UNF (11.113mm)	63.5 <i>2.500</i>	Zinc Plated Hardened Steel		
# SS111F-0762-CZ	7/16-20 UNF (11.113mm)	76.2 <i>3.000</i>	Zinc Plated Hardened Steel		
# SS120M-0120-CZ	M12x1.75 (12mm Standard)	12.0 <i>0.472</i>	Zinc Plated Hardened Steel		
# SS120M-0160-CZ	M12x1.75 (12mm Standard)	16.0 <i>0.630</i>	Zinc Plated Hardened Steel		
# SS120M-0200-CZ	M12x1.75 (12mm Standard)	20.0 <i>0.787</i>	Zinc Plated Hardened Steel		

# Indicates item not stocked at time of printing - Please enquire for lead time

E&OE Pricing and all details subject to change without notice - Copyright Miniature Bearings Australia Pty Ltd

MBA Size Listings are a guide to sizes only and must not be solely relied on for critical design information.

## Socket Set Screws - Cup Point - Standard - Zinc Plated - DIN916

Part Number	Thread Size	Thread Length (L) mm <i>inches</i>	Material	Hex Key Size mm <i>inches</i>	Type
# SS120M-0250-CZ	M12x1.75 (12mm Standard)	25.0 <i>0.984</i>	Zinc Plated Hardened Steel		
# SS120M-0300-CZ	M12x1.75 (12mm Standard)	30.0 <i>1.181</i>	Zinc Plated Hardened Steel		
# SS120M-0350-CZ	M12x1.75 (12mm Standard)	35.0 <i>1.378</i>	Zinc Plated Hardened Steel		
# SS120M-0400-CZ	M12x1.75 (12mm Standard)	40.0 <i>1.575</i>	Zinc Plated Hardened Steel		
# SS120M-0450-CZ	M12x1.75 (12mm Standard)	45.0 <i>1.772</i>	Zinc Plated Hardened Steel		
# SS120M-0500-CZ	M12x1.75 (12mm Standard)	50.0 <i>1.969</i>	Zinc Plated Hardened Steel		
# SS120M-0550-CZ	M12x1.75 (12mm Standard)	55.0 <i>2.165</i>	Zinc Plated Hardened Steel		
# SS120M-0600-CZ	M12x1.75 (12mm Standard)	60.0 <i>2.362</i>	Zinc Plated Hardened Steel		
# SS127C-0096-CZ	1/2-13 UNC (12.7mm)	9.6 <i>0.378</i>	Zinc Plated Hardened Steel		
# SS127C-0112-CZ	1/2-13 UNC (12.7mm)	11.2 <i>0.441</i>	Zinc Plated Hardened Steel		

# Indicates item not stocked at time of printing - Please enquire for lead time

E&OE Pricing and all details subject to change without notice - Copyright Miniature Bearings Australia Pty Ltd

MBA Size Listings are a guide to sizes only and must not be solely relied on for critical design information.

## Socket Set Screws - Cup Point - Standard - Zinc Plated - DIN916

Part Number	Thread Size	Thread Length (L) mm <i>inches</i>	Material	Hex Key Size mm <i>inches</i>	Type
SS127C-0127-CZ	1/2-13 UNC (12.7mm)	12.7 <i>0.500</i>	Zinc Plated Hardened Steel		
# SS127C-0159-CZ	1/2-13 UNC (12.7mm)	15.9 <i>0.626</i>	Zinc Plated Hardened Steel		
# SS127C-0191-CZ	1/2-13 UNC (12.7mm)	19.1 <i>0.752</i>	Zinc Plated Hardened Steel		
# SS127C-0254-CZ	1/2-13 UNC (12.7mm)	25.4 <i>1.000</i>	Zinc Plated Hardened Steel		
# SS127C-0318-CZ	1/2-13 UNC (12.7mm)	31.8 <i>1.252</i>	Zinc Plated Hardened Steel		
# SS127C-0381-CZ	1/2-13 UNC (12.7mm)	38.1 <i>1.500</i>	Zinc Plated Hardened Steel		
# SS127C-0445-CZ	1/2-13 UNC (12.7mm)	44.5 <i>1.752</i>	Zinc Plated Hardened Steel		
# SS127C-0508-CZ	1/2-13 UNC (12.7mm)	50.8 <i>2.000</i>	Zinc Plated Hardened Steel		
# SS127C-0572-CZ	1/2-13 UNC (12.7mm)	57.2 <i>2.252</i>	Zinc Plated Hardened Steel		
# SS127C-0635-CZ	1/2-13 UNC (12.7mm)	63.5 <i>2.500</i>	Zinc Plated Hardened Steel		

# Indicates item not stocked at time of printing - Please enquire for lead time

E&OE Pricing and all details subject to change without notice - Copyright Miniature Bearings Australia Pty Ltd

MBA Size Listings are a guide to sizes only and must not be solely relied on for critical design information.

## Socket Set Screws - Cup Point - Standard - Zinc Plated - DIN916

Part Number	Thread Size	Thread Length (L) mm <i>inches</i>	Material	Hex Key Size mm <i>inches</i>	Type
# SS127C-0762-CZ	1/2-13 UNC (12.7mm)	76.2 <i>3.000</i>	Zinc Plated Hardened Steel		
# SS127C-0889-CZ	1/2-13 UNC (12.7mm)	88.9 <i>3.500</i>	Zinc Plated Hardened Steel		
# SS127C-1016-CZ	1/2-13 UNC (12.7mm)	101.6 <i>4.000</i>	Zinc Plated Hardened Steel		
# SS127C-1270-CZ	1/2-13 UNC (12.7mm)	127.0 <i>5.000</i>	Zinc Plated Hardened Steel		
SS127F-0127-CZ	1/2-20 UNF (12.7mm)	12.7 <i>0.500</i>	Zinc Plated Hardened Steel		
# SS127F-0159-CZ	1/2-20 UNF (12.7mm)	15.9 <i>0.626</i>	Zinc Plated Hardened Steel		
# SS127F-0191-CZ	1/2-20 UNF (12.7mm)	19.1 <i>0.752</i>	Zinc Plated Hardened Steel		
# SS127F-0254-CZ	1/2-20 UNF (12.7mm)	25.4 <i>1.000</i>	Zinc Plated Hardened Steel		
# SS127F-0318-CZ	1/2-20 UNF (12.7mm)	31.8 <i>1.252</i>	Zinc Plated Hardened Steel		
# SS127F-0381-CZ	1/2-20 UNF (12.7mm)	38.1 <i>1.500</i>	Zinc Plated Hardened Steel		

# Indicates item not stocked at time of printing - Please enquire for lead time

Page 24 of 28

E&OE Pricing and all details subject to change without notice - Copyright Miniature Bearings Australia Pty Ltd  
MBA Size Listings are a guide to sizes only and must not be solely relied on for critical design information.



## Socket Set Screws - Cup Point - Standard - Zinc Plated - DIN916

Part Number	Thread Size	Thread Length (L) mm <i>inches</i>	Material	Hex Key Size mm <i>inches</i>	Type
# SS127F-0508-CZ	1/2-20 UNF (12.7mm)	50.8 <i>2.000</i>	Zinc Plated Hardened Steel		
# SS127F-0635-CZ	1/2-20 UNF (12.7mm)	63.5 <i>2.500</i>	Zinc Plated Hardened Steel		
# SS127F-0762-CZ	1/2-20 UNF (12.7mm)	76.2 <i>3.000</i>	Zinc Plated Hardened Steel		
# SS159C-0127-CZ	5/8-11 UNC (15.875mm)	12.7 <i>0.500</i>	Zinc Plated Hardened Steel		
# SS159C-0159-CZ	5/8-11 UNC (15.875mm)	15.9 <i>0.626</i>	Zinc Plated Hardened Steel		
# SS159C-0191-CZ	5/8-11 UNC (15.875mm)	19.1 <i>0.752</i>	Zinc Plated Hardened Steel		
# SS159C-0254-CZ	5/8-11 UNC (15.875mm)	25.4 <i>1.000</i>	Zinc Plated Hardened Steel		
# SS159C-0318-CZ	5/8-11 UNC (15.875mm)	31.8 <i>1.252</i>	Zinc Plated Hardened Steel		
# SS159C-0381-CZ	5/8-11 UNC (15.875mm)	38.1 <i>1.500</i>	Zinc Plated Hardened Steel		
# SS159C-0445-CZ	5/8-11 UNC (15.875mm)	44.5 <i>1.752</i>	Zinc Plated Hardened Steel		

# Indicates item not stocked at time of printing - Please enquire for lead time

E&OE Pricing and all details subject to change without notice - Copyright Miniature Bearings Australia Pty Ltd

MBA Size Listings are a guide to sizes only and must not be solely relied on for critical design information.

## Socket Set Screws - Cup Point - Standard - Zinc Plated - DIN916

Part Number	Thread Size	Thread Length (L) mm <i>inches</i>	Material	Hex Key Size mm <i>inches</i>	Type
# SS159C-0508-CZ	5/8-11 UNC (15.875mm)	50.8 <i>2.000</i>	Zinc Plated Hardened Steel		
# SS159C-0572-CZ	5/8-11 UNC (15.875mm)	57.2 <i>2.252</i>	Zinc Plated Hardened Steel		
# SS159C-0635-CZ	5/8-11 UNC (15.875mm)	63.5 <i>2.500</i>	Zinc Plated Hardened Steel		
# SS159C-0762-CZ	5/8-11 UNC (15.875mm)	76.2 <i>3.000</i>	Zinc Plated Hardened Steel		
# SS160M-0160-CZ	M16x2 (16mm Standard)	16.0 <i>0.630</i>	Zinc Plated Hardened Steel		
# SS160M-0200-CZ	M16x2 (16mm Standard)	20.0 <i>0.787</i>	Zinc Plated Hardened Steel		
# SS160M-0250-CZ	M16x2 (16mm Standard)	25.0 <i>0.984</i>	Zinc Plated Hardened Steel		
# SS160M-0300-CZ	M16x2 (16mm Standard)	30.0 <i>1.181</i>	Zinc Plated Hardened Steel		
# SS160M-0350-CZ	M16x2 (16mm Standard)	35.0 <i>1.378</i>	Zinc Plated Hardened Steel		
# SS160M-0400-CZ	M16x2 (16mm Standard)	40.0 <i>1.575</i>	Zinc Plated Hardened Steel		

# Indicates item not stocked at time of printing - Please enquire for lead time

Page 26 of 28

E&OE Pricing and all details subject to change without notice - Copyright Miniature Bearings Australia Pty Ltd  
MBA Size Listings are a guide to sizes only and must not be solely relied on for critical design information.

## Socket Set Screws - Cup Point - Standard - Zinc Plated - DIN916

Part Number	Thread Size	Thread Length (L) mm <i>inches</i>	Material	Hex Key Size mm <i>inches</i>	Type
# SS160M-0450-CZ	M16x2 (16mm Standard)	45.0 <i>1.772</i>	Zinc Plated Hardened Steel		
# SS160M-0500-CZ	M16x2 (16mm Standard)	50.0 <i>1.969</i>	Zinc Plated Hardened Steel		
# SS160M-0550-CZ	M16x2 (16mm Standard)	55.0 <i>2.165</i>	Zinc Plated Hardened Steel		
# SS160M-0600-CZ	M16x2 (16mm Standard)	60.0 <i>2.362</i>	Zinc Plated Hardened Steel		
# SS160M-0700-CZ	M16x2 (16mm Standard)	70.0 <i>2.756</i>	Zinc Plated Hardened Steel		
# SS191C-0159-CZ	3/4-10 UNC (19.05mm)	15.9 <i>0.626</i>	Zinc Plated Hardened Steel		
# SS191C-0191-CZ	3/4-10 UNC (19.05mm)	19.1 <i>0.752</i>	Zinc Plated Hardened Steel		
# SS191C-0254-CZ	3/4-10 UNC (19.05mm)	25.4 <i>1.000</i>	Zinc Plated Hardened Steel		
# SS191C-0318-CZ	3/4-10 UNC (19.05mm)	31.8 <i>1.252</i>	Zinc Plated Hardened Steel		
# SS191C-0381-CZ	3/4-10 UNC (19.05mm)	38.1 <i>1.500</i>	Zinc Plated Hardened Steel		

# Indicates item not stocked at time of printing - Please enquire for lead time

E&OE Pricing and all details subject to change without notice - Copyright Miniature Bearings Australia Pty Ltd

MBA Size Listings are a guide to sizes only and must not be solely relied on for critical design information.

## Socket Set Screws - Cup Point - Standard - Zinc Plated - DIN916

Part Number	Thread Size	Thread Length (L) mm	Material	Hex Key Size mm	Type
		<i>inches</i>		<i>inches</i>	
# SS191C-0508-CZ	3/4-10 UNC (19.05mm)	50.8 <i>2.000</i>	Zinc Plated Hardened Steel		
# SS191C-0635-CZ	3/4-10 UNC (19.05mm)	63.5 <i>2.500</i>	Zinc Plated Hardened Steel		
# SS191C-0762-CZ	3/4-10 UNC (19.05mm)	76.2 <i>3.000</i>	Zinc Plated Hardened Steel		

# Indicates item not stocked at time of printing - Please enquire for lead time

E&OE Pricing and all details subject to change without notice - Copyright Miniature Bearings Australia Pty Ltd

MBA Size Listings are a guide to sizes only and must not be solely relied on for critical design information.

DISTRIBUTED BY

Distributed By:

