



Socket Set Screws - Cup Point - Titanium - Ti-Gr5/Ti-6Al4v - DIN916

10/4/2018

Indicates item not stocked at time of printing - Please enquire for lead time

E&OE Pricing and all details subject to change without notice - Copyright Miniature Bearings Australia Pty Ltd

MBA Size Listings are a guide to sizes only and must not be solely relied on for critical design information.

Page 1 of 4

INFORMATION

Standard DIN913 and DIN916 grub screws. Grade 5 6Al-4V is a high strength titanium alloy. Tensile Strength 91.5kgf / mm². Yield Strength 84.5kgf / mm². Elongation 10 Percent.

Used in critical aircraft structural components. UNS R56400.

Composition Percentage: Al 5.5-6.75, V 3.5-4.5, N 0.05, C 0.08, H 0.015, Fe 0.40, O 0.2, Ti Balance

Grade 5 6Al-4V is a high strength titanium alloy. Tensile Strength 91.5kgf / mm². Yield Strength 84.5kgf / mm². Elongation 10 Percent.

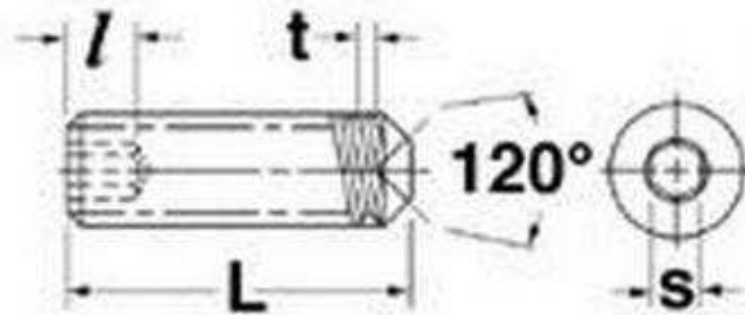
This catalogue to be read in conjunction with information at <http://www.minibearings.com.au//partslist/toolssetsfoldup/tools/all/1/>

Indicates item not stocked at time of printing - Please enquire for lead time

E&OE Pricing and all details subject to change without notice - Copyright Miniature Bearings Australia Pty Ltd

MBA Size Listings are a guide to sizes only and must not be solely relied on for critical design information.

Cup Point
Knurled Cup Point



Indicates item not stocked at time of printing - Please enquire for lead time

E&OE Pricing and all details subject to change without notice - Copyright Miniature Bearings Australia Pty Ltd

MBA Size Listings are a guide to sizes only and must not be solely relied on for critical design information.

Socket Set Screws - Cup Point - Titanium - Ti-Gr5/Ti-6Al4v - DIN916

Part Number	Thread Size	Thread Length (L) mm <i>inches</i>	Material	Hex Key Size mm <i>inches</i>	Type	Pitch mm <i>inches</i>
# SS064F-0080-T56	1/4-28UNF	8.0 <i>0.315</i>	Ti-Gr5/Ti-6Al4v	4.00 mm	Flat End - DIN913	0.91mm
SS080MF-0074-T56	M8x1 (8mm Fine)	7.4 <i>0.291</i>	Ti-Gr5/Ti-6Al4v	4.00 mm	Flat End - DIN913	1.00 <i>0.039</i>
SS080M-0074-T56	M8x1.25 (8mm Standard)	7.4 <i>0.291</i>	Ti-Gr5/Ti-6Al4v	4.00 mm	Flat End - DIN913	1.250 <i>0.049</i>

Indicates item not stocked at time of printing - Please enquire for lead time

E&OE Pricing and all details subject to change without notice - Copyright Miniature Bearings Australia Pty Ltd
MBA Size Listings are a guide to sizes only and must not be solely relied on for critical design information.

DISTRIBUTED BY

Distributed By:

