



# Spacers - Machinery Bushings

10/4/2018

# Indicates item not stocked at time of printing - Please enquire for lead time

E&OE Pricing and all details subject to change without notice - Copyright Miniature Bearings Australia Pty Ltd

MBA Size Listings are a guide to sizes only and must not be solely relied on for critical design information.

## INFORMATION

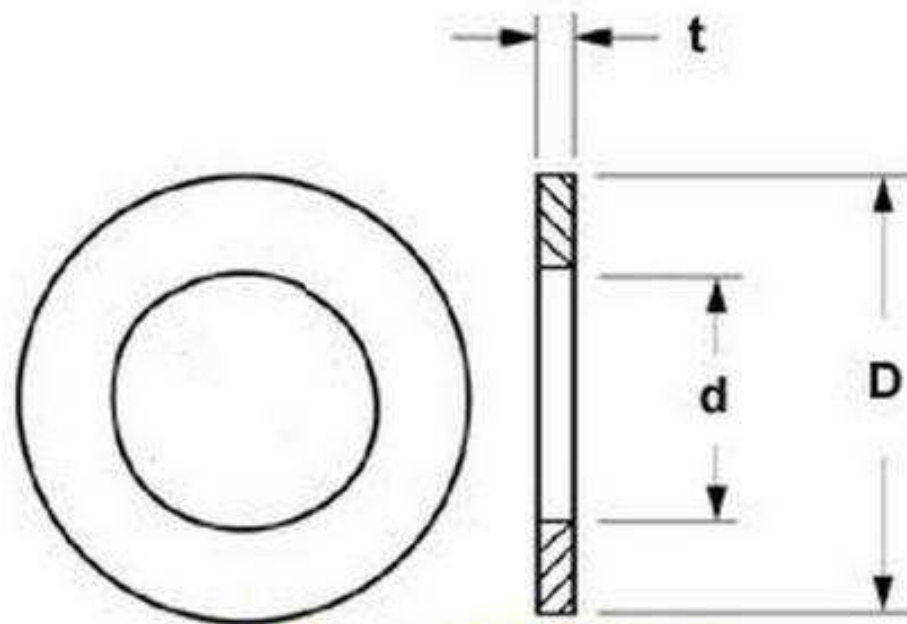
Used as spacers between pulleys, gears etc

Low carbon mild steel

# Indicates item not stocked at time of printing - Please enquire for lead time

E&OE Pricing and all details subject to change without notice - Copyright Miniature Bearings Australia Pty Ltd

MBA Size Listings are a guide to sizes only and must not be solely relied on for critical design information.



**Shims and Washers**

# Indicates item not stocked at time of printing - Please enquire for lead time

E&OE Pricing and all details subject to change without notice - Copyright Miniature Bearings Australia Pty Ltd

MBA Size Listings are a guide to sizes only and must not be solely relied on for critical design information.

## Spacers - Machinery Bushings

Part Number	ID mm <i>inches</i>	OD mm <i>inches</i>	Thickness / Length mm <i>inches</i>
# W0143-F-025-012-MB-C	14.27 <i>0.562</i>	25.40 <i>1.000</i>	1.21 <i>0.048</i>
# W0159-F-025-012-MB-C	15.88 <i>0.625</i>	25.40 <i>1.000</i>	1.21 <i>0.048</i>
# W0191-F-032-012-MB-C	19.05 <i>0.750</i>	31.75 <i>1.250</i>	1.21 <i>0.048</i>
# W0191-F-032-019-MB-C	19.05 <i>0.750</i>	31.75 <i>1.250</i>	1.90 <i>0.075</i>
# W0191-F-032-034-MB-C	19.05 <i>0.750</i>	31.75 <i>1.250</i>	3.40 <i>0.134</i>
# W0222-F-035-012-MB-C	22.22 <i>0.875</i>	34.92 <i>1.375</i>	1.21 <i>0.048</i>
W0222-F-035-034-MB-C	22.22 <i>0.875</i>	34.92 <i>1.375</i>	3.40 <i>0.134</i>
# W0254-F-038-012-MB-C	25.40 <i>1.000</i>	38.10 <i>1.500</i>	1.21 <i>0.048</i>
# W0254-F-038-019-MB-C	25.40 <i>1.000</i>	38.10 <i>1.500</i>	1.90 <i>0.075</i>
# W0254-F-038-034-MB-C	25.40 <i>1.000</i>	38.10 <i>1.500</i>	3.40 <i>0.134</i>

# Indicates item not stocked at time of printing - Please enquire for lead time

E&OE Pricing and all details subject to change without notice - Copyright Miniature Bearings Australia Pty Ltd

MBA Size Listings are a guide to sizes only and must not be solely relied on for critical design information.

## Spacers - Machinery Bushings

Part Number	ID mm	OD mm	Thickness / Length mm
	<i>inches</i>	<i>inches</i>	<i>inches</i>
# W0286-F-044-012-MB-C	28.57 <i>1.125</i>	44.45 <i>1.750</i>	1.21 <i>0.048</i>
# W0286-F-044-019-MB-C	28.57 <i>1.125</i>	44.45 <i>1.750</i>	1.90 <i>0.075</i>
# W0286-F-044-034-MB-C	28.57 <i>1.125</i>	44.45 <i>1.750</i>	3.40 <i>0.134</i>
# W0318-F-048-012-MB-C	31.75 <i>1.250</i>	47.62 <i>1.875</i>	1.21 <i>0.048</i>
# W0318-F-048-019-MB-C	31.75 <i>1.250</i>	47.62 <i>1.875</i>	1.90 <i>0.075</i>
# W0318-F-048-034-MB-C	31.75 <i>1.250</i>	47.62 <i>1.875</i>	3.40 <i>0.134</i>
# W0381-F-057-019-MB-C	38.10 <i>1.500</i>	57.15 <i>2.250</i>	1.90 <i>0.075</i>
# W0381-F-057-034-MB-C	38.10 <i>1.500</i>	57.15 <i>2.250</i>	3.40 <i>0.134</i>
# W0445-F-064-019-MB-C	44.45 <i>1.750</i>	63.50 <i>2.500</i>	1.90 <i>0.075</i>
# W0445-F-064-034-MB-C	44.45 <i>1.750</i>	63.50 <i>2.500</i>	3.40 <i>0.134</i>

# Indicates item not stocked at time of printing - Please enquire for lead time

E&OE Pricing and all details subject to change without notice - Copyright Miniature Bearings Australia Pty Ltd

MBA Size Listings are a guide to sizes only and must not be solely relied on for critical design information.

## Spacers - Machinery Bushings

Part Number	ID mm	OD mm	Thickness / Length mm
	<i>inches</i>	<i>inches</i>	<i>inches</i>
# W0508-F-076-019-MB-C	50.80 <i>2.000</i>	76.20 <i>3.000</i>	1.90 <i>0.075</i>
# W0508-F-076-034-MB-C	50.80 <i>2.000</i>	76.20 <i>3.000</i>	3.40 <i>0.134</i>
# W0540-F-079-019-MB-C	53.97 <i>2.125</i>	79.37 <i>3.125</i>	1.90 <i>0.075</i>
# W0572-F-083-019-MB-C	57.15 <i>2.250</i>	82.55 <i>3.250</i>	1.90 <i>0.075</i>

# Indicates item not stocked at time of printing - Please enquire for lead time

E&OE Pricing and all details subject to change without notice - Copyright Miniature Bearings Australia Pty Ltd

MBA Size Listings are a guide to sizes only and must not be solely relied on for critical design information.

DISTRIBUTED BY

Distributed By:

