



Springs - Compression - Long Lengths - Stainless Steel

10/4/2018

Indicates item not stocked at time of printing - Please enquire for lead time

E&OE Pricing and all details subject to change without notice - Copyright Miniature Bearings Australia Pty Ltd

MBA Size Listings are a guide to sizes only and must not be solely relied on for critical design information.

Page 1 of 9

INFORMATION

1 metre and half metre lengths

Music wire to Din 17223 Class C. No. 1,1200.

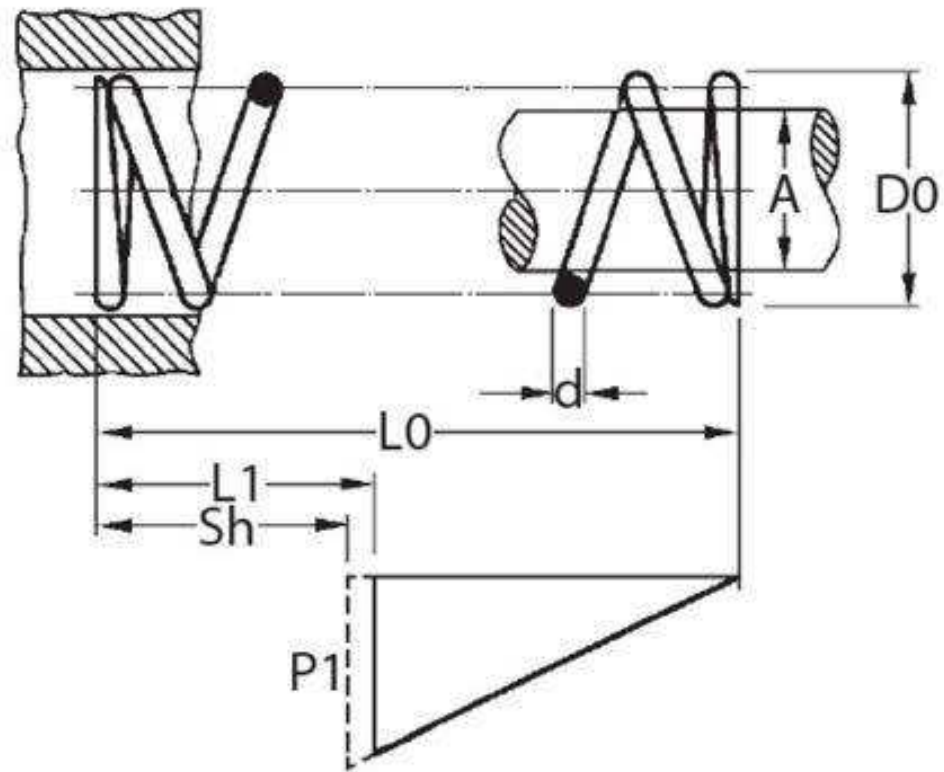
Stainless Steel wire to Din 17224 No. 1,4310.

This catalogue to be read in conjunction with information at <http://www.minibearings.com.au//partslist/shockabsorbers/springs/all/1/>

Indicates item not stocked at time of printing - Please enquire for lead time

E&OE Pricing and all details subject to change without notice - Copyright Miniature Bearings Australia Pty Ltd

MBA Size Listings are a guide to sizes only and must not be solely relied on for critical design information.



Indicates item not stocked at time of printing - Please enquire for lead time

E&OE Pricing and all details subject to change without notice - Copyright Miniature Bearings Australia Pty Ltd

MBA Size Listings are a guide to sizes only and must not be solely relied on for critical design information.

Springs - Compression - Long Lengths - Stainless Steel

Part Number	OD mm <i>inches</i>	Overall Length (L) mm <i>inches</i>	Wire Diameter (d) mm <i>inches</i>	Spring Rate N/mm	Other Info:	Material
# CS-0240-1M-04-S1	2.40 <i>0.094</i>	1000 <i>39.370</i>	0.40 <i>0.016</i>			Stainless Steel
# CS-0318-5080-03-S1	3.18 <i>0.125</i>	508 <i>20.000</i>	0.33 <i>0.013</i>	0.19		Stainless Steel
CS-0318-5080-05-S1	3.18 <i>0.125</i>	508 <i>20.000</i>	0.51 <i>0.020</i>	1.02		Stainless Steel
# CS-0360-1M-04-S1	3.60 <i>0.142</i>	1000 <i>39.370</i>	0.40 <i>0.016</i>			Stainless Steel
# CS-0370-1M-05-S1	3.70 <i>0.146</i>	1000 <i>39.370</i>	0.50 <i>0.020</i>			Stainless Steel
CS-0450-1M-05-S1	4.50 <i>0.177</i>	1000 <i>39.370</i>	0.50 <i>0.020</i>			Stainless Steel
CS-0463-1M-06-S1	4.63 <i>0.182</i>	1000 <i>39.370</i>	0.63 <i>0.025</i>			Stainless Steel
# CS-0475-5080-04-S1	4.75 <i>0.187</i>	508 <i>20.000</i>	0.38 <i>0.015</i>	0.18		Stainless Steel
CS-0475-5080-05-S1	4.75 <i>0.187</i>	508 <i>20.000</i>	0.51 <i>0.020</i>	0.51		Stainless Steel
# CS-0475-5080-06-S1	4.75 <i>0.187</i>	508 <i>20.000</i>	0.66 <i>0.026</i>	1.28		Stainless Steel

Indicates item not stocked at time of printing - Please enquire for lead time

E&OE Pricing and all details subject to change without notice - Copyright Miniature Bearings Australia Pty Ltd

MBA Size Listings are a guide to sizes only and must not be solely relied on for critical design information.

Springs - Compression - Long Lengths - Stainless Steel

Part Number	OD mm <i>inches</i>	Overall Length (L) mm <i>inches</i>	Wire Diameter (d) mm <i>inches</i>	Spring Rate N/mm	Other Info:	Material
# CS-0475-5080-07-S1	4.75 <i>0.187</i>	508 <i>20.000</i>	0.71 <i>0.028</i>	0.25		Stainless Steel
# CS-0563-1M-06-S1	5.63 <i>0.222</i>	1000 <i>39.370</i>	0.63 <i>0.025</i>			Stainless Steel
# CS-0580-1M-08-S1	5.80 <i>0.228</i>	1000 <i>39.370</i>	0.80 <i>0.031</i>			Stainless Steel
CS-0635-5080-04-S1	6.35 <i>0.250</i>	508 <i>20.000</i>	0.38 <i>0.015</i>	0.11		Stainless Steel
# CS-0635-5080-043-S1	6.35 <i>0.250</i>	508 <i>20.000</i>	0.43 <i>0.017</i>	0.18		Stainless Steel
# CS-0635-5080-05-S1	6.35 <i>0.250</i>	508 <i>20.000</i>	0.51 <i>0.020</i>	0.28		Stainless Steel
# CS-0635-5080-07-S1	6.35 <i>0.250</i>	508 <i>20.000</i>	0.66 <i>0.026</i>	0.74		Stainless Steel
# CS-0635-5080-08-S1	6.35 <i>0.250</i>	508 <i>20.000</i>	0.81 <i>0.032</i>	1.75		Stainless Steel
CS-0710-1M-08-S1	7.10 <i>0.280</i>	1000 <i>39.370</i>	0.80 <i>0.031</i>			Stainless Steel
CS-0730-1M-10-S1	7.30 <i>0.287</i>	1000 <i>39.370</i>	1.00 <i>0.039</i>			Stainless Steel

Indicates item not stocked at time of printing - Please enquire for lead time

E&OE Pricing and all details subject to change without notice - Copyright Miniature Bearings Australia Pty Ltd

MBA Size Listings are a guide to sizes only and must not be solely relied on for critical design information.

Springs - Compression - Long Lengths - Stainless Steel

Part Number	OD mm <i>inches</i>	Overall Length (L) mm <i>inches</i>	Wire Diameter (d) mm <i>inches</i>	Spring Rate N/mm	Other Info:	Material
CS-0792-5080-05-S1	7.92 <i>0.312</i>	508 <i>20.000</i>	0.51 <i>0.020</i>	0.21		Stainless Steel
CS-0792-5080-07-S1	7.92 <i>0.312</i>	508 <i>20.000</i>	0.66 <i>0.026</i>	0.51		Stainless Steel
CS-0792-5080-08-S1	7.92 <i>0.312</i>	508 <i>20.000</i>	0.81 <i>0.032</i>	1.23		Stainless Steel
CS-0792-5080-10-S1	7.92 <i>0.312</i>	508 <i>20.000</i>	1.04 <i>0.041</i>	2.63		Stainless Steel
CS-0900-1M-10-S1	9.00 <i>0.354</i>	1000 <i>39.370</i>	1.00 <i>0.039</i>			Stainless Steel
# CS-0925-1M-13-S1	9.25 <i>0.364</i>	1000 <i>39.370</i>	1.25 <i>0.049</i>			Stainless Steel
# CS-0953-5080-08-S1	9.53 <i>0.375</i>	508 <i>20.000</i>	0.81 <i>0.032</i>	0.77		Stainless Steel
# CS-0953-5080-10-S1	9.53 <i>0.375</i>	508 <i>20.000</i>	1.04 <i>0.041</i>	1.93		Stainless Steel
# CS-0953-5080-14-S1	9.53 <i>0.375</i>	508 <i>20.000</i>	1.37 <i>0.054</i>	5.60		Stainless Steel
# CS-1113-5080-10-S1	11.13 <i>0.438</i>	508 <i>20.000</i>	1.04 <i>0.041</i>	1.33		Stainless Steel

Indicates item not stocked at time of printing - Please enquire for lead time

E&OE Pricing and all details subject to change without notice - Copyright Miniature Bearings Australia Pty Ltd

MBA Size Listings are a guide to sizes only and must not be solely relied on for critical design information.

Springs - Compression - Long Lengths - Stainless Steel

Part Number	OD mm <i>inches</i>	Overall Length (L) mm <i>inches</i>	Wire Diameter (d) mm <i>inches</i>	Spring Rate N/mm	Other Info:	Material
# CS-1113-5080-14-S1	11.13 <i>0.438</i>	508 <i>20.000</i>	1.37 <i>0.054</i>	4.03		Stainless Steel
# CS-1125-1M-13-S1	11.25 <i>0.443</i>	1000 <i>39.370</i>	1.25 <i>0.049</i>			Stainless Steel
CS-1160-1M-16-S1	11.60 <i>0.457</i>	1000 <i>39.370</i>	1.60 <i>0.063</i>			Stainless Steel
# CS-1270-5080-14-S1	12.70 <i>0.500</i>	508 <i>20.000</i>	1.37 <i>0.054</i>	3.15		Stainless Steel
# CS-1270-5080-18-S1	12.70 <i>0.500</i>	508 <i>20.000</i>	1.83 <i>0.072</i>	10.68		Stainless Steel
CS-1410-1M-16-S1	14.10 <i>0.555</i>	1000 <i>39.370</i>	1.60 <i>0.063</i>			Stainless Steel
# CS-1427-5080-10-S1	14.27 <i>0.562</i>	508 <i>20.000</i>	1.04 <i>0.041</i>	0.67		Stainless Steel
# CS-1427-5080-14-S1	14.27 <i>0.562</i>	508 <i>20.000</i>	1.37 <i>0.054</i>	2.45		Stainless Steel
# CS-1427-5080-18-S1	14.27 <i>0.562</i>	508 <i>20.000</i>	1.83 <i>0.072</i>	7.71		Stainless Steel
# CS-1427-5080-23-S1	14.27 <i>0.562</i>	508 <i>20.000</i>	2.31 <i>0.091</i>	22.42		Stainless Steel

Indicates item not stocked at time of printing - Please enquire for lead time

E&OE Pricing and all details subject to change without notice - Copyright Miniature Bearings Australia Pty Ltd
MBA Size Listings are a guide to sizes only and must not be solely relied on for critical design information.

Springs - Compression - Long Lengths - Stainless Steel

Part Number	OD mm <i>inches</i>	Overall Length (L) mm <i>inches</i>	Wire Diameter (d) mm <i>inches</i>	Spring Rate N/mm	Other Info:	Material
CS-1450-1M-20-S1	14.50 <i>0.571</i>	1000 <i>39.370</i>	2.00 <i>0.079</i>			Stainless Steel
# CS-1500-1M-22-S1	15.00 <i>0.591</i>	1000 <i>39.370</i>	2.20 <i>0.087</i>			Stainless Steel
# CS-1588-5080-18-S1	15.88 <i>0.625</i>	508 <i>20.000</i>	1.83 <i>0.072</i>	6.13		Stainless Steel
# CS-1588-5080-23-S1	15.88 <i>0.625</i>	508 <i>20.000</i>	2.31 <i>0.091</i>	17.34		Stainless Steel
# CS-1800-1M-20-S1	18.00 <i>0.709</i>	1000 <i>39.370</i>	2.00 <i>0.079</i>			Stainless Steel
# CS-1850-1M-25-S1	18.50 <i>0.728</i>	1000 <i>39.370</i>	2.50 <i>0.098</i>			Stainless Steel
# CS-1905-5080-23-S1	19.05 <i>0.750</i>	508 <i>20.000</i>	2.31 <i>0.091</i>	11.56		Stainless Steel
# CS-2000-1M-28-S1	20.00 <i>0.787</i>	1000 <i>39.370</i>	2.80 <i>0.110</i>			Stainless Steel
# CS-2250-1M-25-S1	22.50 <i>0.886</i>	1000 <i>39.370</i>	2.50 <i>0.098</i>			Stainless Steel
# CS-2400-1M-22-S1	24.00 <i>0.945</i>	1000 <i>39.370</i>	2.20 <i>0.087</i>			Stainless Steel

Indicates item not stocked at time of printing - Please enquire for lead time

E&OE Pricing and all details subject to change without notice - Copyright Miniature Bearings Australia Pty Ltd

MBA Size Listings are a guide to sizes only and must not be solely relied on for critical design information.

Springs - Compression - Long Lengths - Stainless Steel

Part Number	OD mm	Overall Length (L) mm	Wire Diameter (d) mm	Spring Rate N/mm	Other Info:	Material
	<i>inches</i>	<i>inches</i>	<i>inches</i>			
# CS-2820-1M-32-S1	28.20 <i>1.110</i>	1000 <i>39.370</i>	3.20 <i>0.126</i>			Stainless Steel
# CS-3000-1M-28-S1	30.00 <i>1.181</i>	1000 <i>39.370</i>	2.80 <i>0.110</i>			Stainless Steel
# CS-3520-1M-32-S1	35.20 <i>1.386</i>	1000 <i>39.370</i>	3.20 <i>0.126</i>			Stainless Steel

Indicates item not stocked at time of printing - Please enquire for lead time

E&OE Pricing and all details subject to change without notice - Copyright Miniature Bearings Australia Pty Ltd

MBA Size Listings are a guide to sizes only and must not be solely relied on for critical design information.

DISTRIBUTED BY

Distributed By:

