



Springs - Compression - Standard - Stainless Steel

10/4/2018

Indicates item not stocked at time of printing - Please enquire for lead time

E&OE Pricing and all details subject to change without notice - Copyright Miniature Bearings Australia Pty Ltd

MBA Size Listings are a guide to sizes only and must not be solely relied on for critical design information.

Page 1 of 71

INFORMATION

Standard springs may or may not be supplied with ends ground flush.

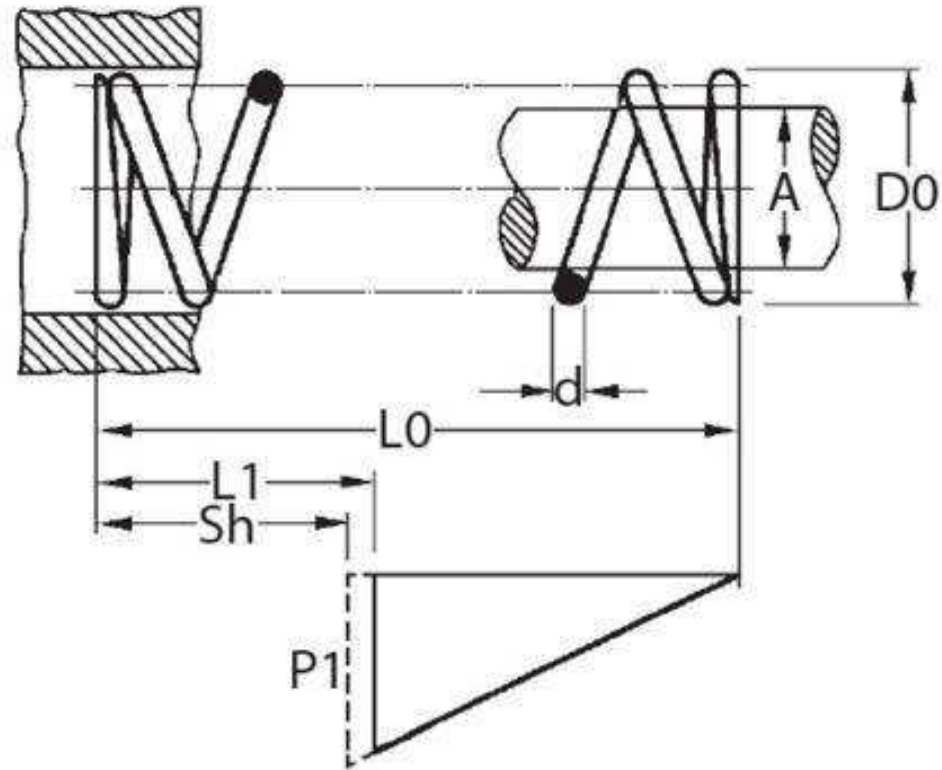
If the end type is important to your application please contact us for more information or a special quote.

This catalogue to be read in conjunction with information at <http://www.minibearings.com.au//partslist/shockabsorbers/springs/all/1/>
<http://www.minibearings.com.au//partslist/springscompressionstandardzincplated/>

Indicates item not stocked at time of printing - Please enquire for lead time

E&OE Pricing and all details subject to change without notice - Copyright Miniature Bearings Australia Pty Ltd

MBA Size Listings are a guide to sizes only and must not be solely relied on for critical design information.



Indicates item not stocked at time of printing - Please enquire for lead time

E&OE Pricing and all details subject to change without notice - Copyright Miniature Bearings Australia Pty Ltd

MBA Size Listings are a guide to sizes only and must not be solely relied on for critical design information.

Springs - Compression - Standard - Stainless Steel

Part Number	Spring OD (D0) mm	Free Length (L0) mm	Wire Diameter (d) mm	Loaded Height (L1) mm	Load at L1 N	Rate (P/f) N/mm	Solid Height (Sh) mm	Material	End Type	Max Rod Dia. (A) mm
	<i>inches</i>	<i>inches</i>	<i>inches</i>	<i>inches</i>			<i>inches</i>			<i>inches</i>
CS-0115-0079-02-S2-G	1.15	7.9	0.15	3.51	0.77	0.19	2.235	302 Stainless Steel	Closed Ground Flush	0.79
	<i>0.045</i>	<i>0.311</i>	<i>0.006</i>	<i>0.138</i>			<i>0.088</i>			<i>0.031</i>
CS-0120-0020-02-S2-C	1.20	2.0	0.20	1.40	2.14	4.09	1.30	302 Stainless Steel	Closed	0.74
	<i>0.047</i>	<i>0.079</i>	<i>0.008</i>	<i>0.055</i>			<i>0.051</i>			<i>0.029</i>
# CS-0120-0027-02-S2-C	1.20	2.7	0.20	1.90	2.14	2.60	1.70	302 Stainless Steel	Closed	0.74
	<i>0.047</i>	<i>0.106</i>	<i>0.008</i>	<i>0.075</i>			<i>0.067</i>			<i>0.029</i>
# CS-0120-0039-02-S2-C	1.20	3.9	0.20	2.60	2.14	1.69	2.30	302 Stainless Steel	Closed	0.74
	<i>0.047</i>	<i>0.154</i>	<i>0.008</i>	<i>0.102</i>			<i>0.091</i>			<i>0.029</i>
# CS-0120-0055-02-S2-C	1.20	5.5	0.20	3.60	2.14	1.15	3.10	302 Stainless Steel	Closed	0.74
	<i>0.047</i>	<i>0.217</i>	<i>0.008</i>	<i>0.142</i>			<i>0.122</i>			<i>0.029</i>
CS-0120-0078-02-S2-C	1.20	7.8	0.20	5.00	2.14	0.77	4.30	302 Stainless Steel	Closed	0.74
	<i>0.047</i>	<i>0.307</i>	<i>0.008</i>	<i>0.197</i>			<i>0.169</i>			<i>0.029</i>
# CS-0140-0023-02-S2-C	1.40	2.3	0.20	1.50	1.89	2.36	1.30	302 Stainless Steel	Closed	0.93
	<i>0.055</i>	<i>0.091</i>	<i>0.008</i>	<i>0.059</i>			<i>0.051</i>			<i>0.037</i>
# CS-0140-0032-02-S2-C	1.40	3.2	0.20	1.90	1.89	1.51	1.70	302 Stainless Steel	Closed	0.93
	<i>0.055</i>	<i>0.126</i>	<i>0.008</i>	<i>0.075</i>			<i>0.067</i>			<i>0.037</i>

Indicates item not stocked at time of printing - Please enquire for lead time

Page 4 of 71

E&OE Pricing and all details subject to change without notice - Copyright Miniature Bearings Australia Pty Ltd
MBA Size Listings are a guide to sizes only and must not be solely relied on for critical design information.

Springs - Compression - Standard - Stainless Steel

Part Number	Spring OD (D0) mm	Free Length (L0) mm	Wire Diameter (d) mm	Loaded Height (L1) mm	Load at L1 N	Rate (P/f) N/mm	Solid Height (Sh) mm	Material	End Type	Max Rod Dia. (A) mm
	<i>inches</i>	<i>inches</i>	<i>inches</i>	<i>inches</i>			<i>inches</i>			<i>inches</i>
# CS-0140-0046-02-S2-C	1.40	4.6	0.20	2.70	1.89	0.97	2.30	302 Stainless Steel	Closed	0.93
	<i>0.055</i>	<i>0.181</i>	<i>0.008</i>	<i>0.106</i>			<i>0.091</i>			<i>0.037</i>
# CS-0140-0065-02-S2-C	1.40	6.5	0.20	3.70	1.89	0.67	3.10	302 Stainless Steel	Closed	0.93
	<i>0.055</i>	<i>0.256</i>	<i>0.008</i>	<i>0.146</i>			<i>0.122</i>			<i>0.037</i>
CS-0140-0093-02-S2-C	1.40	9.3	0.20	5.10	1.89	0.45	4.30	302 Stainless Steel	Closed	0.93
	<i>0.055</i>	<i>0.366</i>	<i>0.008</i>	<i>0.201</i>			<i>0.169</i>			<i>0.037</i>
CS-0145-0024-03-S2-C	1.45	2.4	0.25	1.80	3.42	5.79	1.60	302 Stainless Steel	Closed	0.88
	<i>0.057</i>	<i>0.094</i>	<i>0.010</i>	<i>0.071</i>			<i>0.063</i>			<i>0.035</i>
# CS-0145-0033-03-S2-C	1.45	3.3	0.25	2.40	3.42	3.68	2.10	302 Stainless Steel	Closed	0.88
	<i>0.057</i>	<i>0.130</i>	<i>0.010</i>	<i>0.094</i>			<i>0.083</i>			<i>0.035</i>
CS-0145-0047-03-S2-C	1.45	4.7	0.25	3.30	3.42	2.38	2.90	302 Stainless Steel	Closed	0.88
	<i>0.057</i>	<i>0.185</i>	<i>0.010</i>	<i>0.130</i>			<i>0.114</i>			<i>0.035</i>
CS-0145-0064-02-S2-G	1.45	6.4	0.20	35.05	2.19	0.77	2.692	302 Stainless Steel	Closed Ground Flush	0.98
	<i>0.057</i>	<i>0.252</i>	<i>0.008</i>	<i>1.380</i>			<i>0.106</i>			<i>0.039</i>
# CS-0145-0066-03-S2-C	1.45	6.6	0.25	4.50	3.42	1.62	3.90	302 Stainless Steel	Closed	0.88
	<i>0.057</i>	<i>0.260</i>	<i>0.010</i>	<i>0.177</i>			<i>0.154</i>			<i>0.035</i>

Indicates item not stocked at time of printing - Please enquire for lead time

Page 5 of 71

E&OE Pricing and all details subject to change without notice - Copyright Miniature Bearings Australia Pty Ltd

MBA Size Listings are a guide to sizes only and must not be solely relied on for critical design information.

Springs - Compression - Standard - Stainless Steel

Part Number	Spring OD (D0) mm	Free Length (L0) mm	Wire Diameter (d) mm	Loaded Height (L1) mm	Load at L1 N	Rate (P/f) N/mm	Solid Height (Sh) mm	Material	End Type	Max Rod Dia. (A) mm
	<i>inches</i>	<i>inches</i>	<i>inches</i>	<i>inches</i>			<i>inches</i>			<i>inches</i>
CS-0145-0094-03-S2-C	1.45	9.4	0.25	6.30	3.42	1.10	5.40	302 Stainless Steel	Closed	0.88
	<i>0.057</i>	<i>0.370</i>	<i>0.010</i>	<i>0.248</i>			<i>0.213</i>			<i>0.035</i>
# CS-0145-0097-02-S2-G	1.45	9.7	0.18	4.75	1.40	0.28	3.302	302 Stainless Steel	Closed Ground Flush	1.02
	<i>0.057</i>	<i>0.382</i>	<i>0.007</i>	<i>0.187</i>			<i>0.130</i>			<i>0.040</i>
CS-0145-0127-02-S2-G	1.45	12.7	0.20	6.68	2.19	0.37	4.953	302 Stainless Steel	Closed Ground Flush	0.98
	<i>0.057</i>	<i>0.500</i>	<i>0.008</i>	<i>0.263</i>			<i>0.195</i>			<i>0.039</i>
CS-0180-0030-02-S2-C	1.80	3.0	0.20	1.50	1.50	1.00	1.30	302 Stainless Steel	Closed	1.31
	<i>0.071</i>	<i>0.118</i>	<i>0.008</i>	<i>0.059</i>			<i>0.051</i>			<i>0.052</i>
# CS-0180-0044-02-S2-C	1.80	4.4	0.20	2.00	1.50	0.64	1.70	302 Stainless Steel	Closed	1.31
	<i>0.071</i>	<i>0.173</i>	<i>0.008</i>	<i>0.079</i>			<i>0.067</i>			<i>0.052</i>
# CS-0180-0064-02-S2-C	1.80	6.4	0.20	2.80	1.50	0.41	2.30	302 Stainless Steel	Closed	1.31
	<i>0.071</i>	<i>0.252</i>	<i>0.008</i>	<i>0.110</i>			<i>0.091</i>			<i>0.052</i>
# CS-0180-0092-02-S2-C	1.80	9.2	0.20	3.80	1.50	0.28	3.10	302 Stainless Steel	Closed	1.31
	<i>0.071</i>	<i>0.362</i>	<i>0.008</i>	<i>0.150</i>			<i>0.122</i>			<i>0.052</i>
# CS-0180-0133-02-S2-C	1.80	13.3	0.20	5.30	1.50	0.19	4.30	302 Stainless Steel	Closed	1.31
	<i>0.071</i>	<i>0.524</i>	<i>0.008</i>	<i>0.209</i>			<i>0.169</i>			<i>0.052</i>

Indicates item not stocked at time of printing - Please enquire for lead time

Page 6 of 71

E&OE Pricing and all details subject to change without notice - Copyright Miniature Bearings Australia Pty Ltd
MBA Size Listings are a guide to sizes only and must not be solely relied on for critical design information.

Springs - Compression - Standard - Stainless Steel

Part Number	Spring OD (D0) mm	Free Length (L0) mm	Wire Diameter (d) mm	Loaded Height (L1) mm	Load at L1 N	Rate (P/f) N/mm	Solid Height (Sh) mm	Material	End Type	Max Rod Dia. (A) mm
	<i>inches</i>	<i>inches</i>	<i>inches</i>	<i>inches</i>			<i>inches</i>			<i>inches</i>
# CS-0185-0030-03-S2-C	1.85	3.0	0.25	1.80	2.81	2.44	1.60	302 Stainless Steel	Closed	1.26
	<i>0.073</i>	<i>0.118</i>	<i>0.010</i>	<i>0.071</i>			<i>0.063</i>			<i>0.050</i>
# CS-0185-0043-03-S2-C	1.85	4.3	0.25	2.40	2.81	1.55	2.10	302 Stainless Steel	Closed	1.26
	<i>0.073</i>	<i>0.169</i>	<i>0.010</i>	<i>0.094</i>			<i>0.083</i>			<i>0.050</i>
# CS-0185-0062-03-S2-C	1.85	6.2	0.25	3.40	2.81	1.00	2.90	302 Stainless Steel	Closed	1.26
	<i>0.073</i>	<i>0.244</i>	<i>0.010</i>	<i>0.134</i>			<i>0.114</i>			<i>0.050</i>
# CS-0185-0087-03-S2-C	1.85	8.7	0.25	4.60	2.81	0.69	3.90	302 Stainless Steel	Closed	1.26
	<i>0.073</i>	<i>0.343</i>	<i>0.010</i>	<i>0.181</i>			<i>0.154</i>			<i>0.050</i>
# CS-0185-0125-03-S2-C	1.85	12.5	0.25	6.50	2.81	0.46	5.40	302 Stainless Steel	Closed	1.26
	<i>0.073</i>	<i>0.492</i>	<i>0.010</i>	<i>0.256</i>			<i>0.213</i>			<i>0.050</i>
# CS-0192-0031-03-S2-C	1.92	3.1	0.32	2.30	5.47	6.55	2.10	302 Stainless Steel	Closed	1.18
	<i>0.076</i>	<i>0.122</i>	<i>0.013</i>	<i>0.091</i>			<i>0.083</i>			<i>0.046</i>
# CS-0192-0044-03-S2-C	1.92	4.4	0.32	3.10	5.47	4.17	2.70	302 Stainless Steel	Closed	1.18
	<i>0.076</i>	<i>0.173</i>	<i>0.013</i>	<i>0.122</i>			<i>0.106</i>			<i>0.046</i>
# CS-0192-0063-03-S2-C	1.92	6.3	0.32	4.20	5.47	2.70	3.70	302 Stainless Steel	Closed	1.18
	<i>0.076</i>	<i>0.248</i>	<i>0.013</i>	<i>0.165</i>			<i>0.146</i>			<i>0.046</i>

Indicates item not stocked at time of printing - Please enquire for lead time

Page 7 of 71

E&OE Pricing and all details subject to change without notice - Copyright Miniature Bearings Australia Pty Ltd
MBA Size Listings are a guide to sizes only and must not be solely relied on for critical design information.

Springs - Compression - Standard - Stainless Steel

Part Number	Spring OD (D0) mm	Free Length (L0) mm	Wire Diameter (d) mm	Loaded Height (L1) mm	Load at L1 N	Rate (P/f) N/mm	Solid Height (Sh) mm	Material	End Type	Max Rod Dia. (A) mm
	<i>inches</i>	<i>inches</i>	<i>inches</i>	<i>inches</i>			<i>inches</i>			<i>inches</i>
CS-0192-0087-03-S2-C	1.92	8.7	0.32	5.80	5.47	1.83	5.00	302 Stainless Steel	Closed	1.18
	<i>0.076</i>	<i>0.343</i>	<i>0.013</i>	<i>0.228</i>			<i>0.197</i>			<i>0.046</i>
# CS-0192-0125-03-S2-C	1.92	12.5	0.32	8.10	5.47	1.24	6.90	302 Stainless Steel	Closed	1.18
	<i>0.076</i>	<i>0.492</i>	<i>0.013</i>	<i>0.319</i>			<i>0.272</i>			<i>0.046</i>
# CS-0220-0040-02-S2-C	2.20	4.0	0.20	1.50	1.24	0.51	1.30	302 Stainless Steel	Closed	1.69
	<i>0.087</i>	<i>0.157</i>	<i>0.008</i>	<i>0.059</i>			<i>0.051</i>			<i>0.067</i>
# CS-0220-0059-02-S2-C	2.20	5.9	0.20	2.10	1.24	0.32	1.70	302 Stainless Steel	Closed	1.69
	<i>0.087</i>	<i>0.232</i>	<i>0.008</i>	<i>0.083</i>			<i>0.067</i>			<i>0.067</i>
CS-0220-0087-02-S2-C	2.20	8.7	0.20	2.90	1.24	0.21	2.30	302 Stainless Steel	Closed	1.69
	<i>0.087</i>	<i>0.343</i>	<i>0.008</i>	<i>0.114</i>			<i>0.091</i>			<i>0.067</i>
# CS-0220-0126-02-S2-C	2.20	12.6	0.20	4.00	1.24	0.15	3.10	302 Stainless Steel	Closed	1.69
	<i>0.087</i>	<i>0.496</i>	<i>0.008</i>	<i>0.157</i>			<i>0.122</i>			<i>0.067</i>
CS-0220-0183-02-S2-C	2.20	18.3	0.20	5.60	1.24	0.10	4.30	302 Stainless Steel	Closed	1.69
	<i>0.087</i>	<i>0.720</i>	<i>0.008</i>	<i>0.220</i>			<i>0.169</i>			<i>0.067</i>
# CS-0224-0064-03-S2-G	2.24	6.4	0.25	3.30	2.19	0.74	2.489	302 Stainless Steel	Closed Ground Flush	1.63
	<i>0.088</i>	<i>0.252</i>	<i>0.010</i>	<i>0.130</i>			<i>0.098</i>			<i>0.064</i>

Indicates item not stocked at time of printing - Please enquire for lead time

Page 8 of 71

E&OE Pricing and all details subject to change without notice - Copyright Miniature Bearings Australia Pty Ltd
MBA Size Listings are a guide to sizes only and must not be solely relied on for critical design information.

Springs - Compression - Standard - Stainless Steel

Part Number	Spring OD (D0) mm	Free Length (L0) mm	Wire Diameter (d) mm	Loaded Height (L1) mm	Load at L1 N	Rate (P/f) N/mm	Solid Height (Sh) mm	Material	End Type	Max Rod Dia. (A) mm
	<i>inches</i>	<i>inches</i>	<i>inches</i>	<i>inches</i>			<i>inches</i>			<i>inches</i>
CS-0224-0097-03-S2-G	2.24	9.7	0.31	5.49	3.89	0.95	4.369	302 Stainless Steel	Closed Ground Flush	1.51
	<i>0.088</i>	<i>0.382</i>	<i>0.012</i>	<i>0.216</i>			<i>0.172</i>			<i>0.059</i>
CS-0224-0127-03-S2-G	2.24	12.7	0.25	6.22	2.19	0.33	4.369	302 Stainless Steel	Closed Ground Flush	1.63
	<i>0.088</i>	<i>0.500</i>	<i>0.010</i>	<i>0.245</i>			<i>0.172</i>			<i>0.064</i>
# CS-0224-0191-03-S2-G	2.24	19.1	0.31	10.72	3.89	0.47	7.442	302 Stainless Steel	Closed Ground Flush	1.51
	<i>0.088</i>	<i>0.752</i>	<i>0.012</i>	<i>0.422</i>			<i>0.293</i>			<i>0.059</i>
# CS-0225-0037-02-S2-C	2.25	3.7	0.25	1.90	2.34	1.25	1.60	302 Stainless Steel	Closed	1.64
	<i>0.089</i>	<i>0.146</i>	<i>0.010</i>	<i>0.075</i>			<i>0.063</i>			<i>0.065</i>
# CS-0225-0055-03-S2-C	2.25	5.5	0.25	2.50	2.34	0.79	2.10	302 Stainless Steel	Closed	1.64
	<i>0.089</i>	<i>0.217</i>	<i>0.010</i>	<i>0.098</i>			<i>0.083</i>			<i>0.065</i>
# CS-0225-0080-02-S2-C	2.25	8.0	0.25	3.50	2.34	0.51	2.90	302 Stainless Steel	Closed	1.64
	<i>0.089</i>	<i>0.315</i>	<i>0.010</i>	<i>0.138</i>			<i>0.114</i>			<i>0.065</i>
# CS-0225-0080-03-S2-G	2.25	8.0	0.25	-	2.92	0.55	2.800	302 Stainless Steel	Closed Ground Flush	1.64
	<i>0.089</i>	<i>0.315</i>	<i>0.010</i>				<i>0.110</i>			<i>0.065</i>
# CS-0225-0095-03-S2-G	2.25	9.5	0.25	-	2.92	0.46	3.200	302 Stainless Steel	Closed Ground Flush	1.64
	<i>0.089</i>	<i>0.374</i>	<i>0.010</i>				<i>0.126</i>			<i>0.065</i>

Indicates item not stocked at time of printing - Please enquire for lead time

Page 9 of 71

E&OE Pricing and all details subject to change without notice - Copyright Miniature Bearings Australia Pty Ltd
MBA Size Listings are a guide to sizes only and must not be solely relied on for critical design information.

Springs - Compression - Standard - Stainless Steel

Part Number	Spring OD (D0) mm	Free Length (L0) mm	Wire Diameter (d) mm	Loaded Height (L1) mm	Load at L1 N	Rate (P/f) N/mm	Solid Height (Sh) mm	Material	End Type	Max Rod Dia. (A) mm
	<i>inches</i>	<i>inches</i>	<i>inches</i>	<i>inches</i>			<i>inches</i>			<i>inches</i>
CS-0225-0110-03-S2-G	2.25	11.0	0.25	-	2.92	0.39	3.600	302 Stainless Steel	Closed Ground Flush	1.64
	<i>0.089</i>	<i>0.433</i>	<i>0.010</i>				<i>0.142</i>			<i>0.065</i>
# CS-0225-0114-02-S2-C	2.25	11.4	0.25	4.70	2.34	0.35	3.90	302 Stainless Steel	Closed	1.64
	<i>0.089</i>	<i>0.449</i>	<i>0.010</i>	<i>0.185</i>			<i>0.154</i>			<i>0.065</i>
CS-0225-0166-03-S2-C	2.25	16.6	0.25	6.70	2.34	0.24	5.40	302 Stainless Steel	Closed	1.64
	<i>0.089</i>	<i>0.654</i>	<i>0.010</i>	<i>0.264</i>			<i>0.213</i>			<i>0.065</i>
CS-0232-0037-03-S2-C	2.32	3.7	0.32	2.30	4.69	3.35	2.10	302 Stainless Steel	Closed	1.56
	<i>0.091</i>	<i>0.146</i>	<i>0.013</i>	<i>0.091</i>			<i>0.083</i>			<i>0.061</i>
CS-0232-0053-03-S2-C	2.32	5.3	0.32	3.10	4.69	2.14	2.70	302 Stainless Steel	Closed	1.56
	<i>0.091</i>	<i>0.209</i>	<i>0.013</i>	<i>0.122</i>			<i>0.106</i>			<i>0.061</i>
CS-0232-0077-03-S2-C	2.32	7.7	0.32	4.30	4.69	1.38	3.70	302 Stainless Steel	Closed	1.56
	<i>0.091</i>	<i>0.303</i>	<i>0.013</i>	<i>0.169</i>			<i>0.146</i>			<i>0.061</i>
CS-0232-0109-03-S2-C	2.32	10.9	0.32	5.90	4.69	0.94	5.00	302 Stainless Steel	Closed	1.56
	<i>0.091</i>	<i>0.429</i>	<i>0.013</i>	<i>0.232</i>			<i>0.197</i>			<i>0.061</i>
# CS-0232-0156-03-S2-C	2.32	15.6	0.32	8.20	4.69	0.64	6.90	302 Stainless Steel	Closed	1.56
	<i>0.091</i>	<i>0.614</i>	<i>0.013</i>	<i>0.323</i>			<i>0.272</i>			<i>0.061</i>

Indicates item not stocked at time of printing - Please enquire for lead time

Page 10 of 71

E&OE Pricing and all details subject to change without notice - Copyright Miniature Bearings Australia Pty Ltd
MBA Size Listings are a guide to sizes only and must not be solely relied on for critical design information.

Springs - Compression - Standard - Stainless Steel

Part Number	Spring OD (D0) mm	Free Length (L0) mm	Wire Diameter (d) mm	Loaded Height (L1) mm	Load at L1 N	Rate (P/f) N/mm	Solid Height (Sh) mm	Material	End Type	Max Rod Dia. (A) mm
	<i>inches</i>	<i>inches</i>	<i>inches</i>	<i>inches</i>			<i>inches</i>			<i>inches</i>
# CS-0238-2540-03-S2	2.38	254.0	0.25	-	-	-	-	302 Stainless Steel	Open	1.76
	<i>0.094</i>	<i>10.000</i>	<i>0.010</i>							<i>0.069</i>
# CS-0238-2540-04-S2	2.38	254.0	0.36	-	-	-	-	302 Stainless Steel	Open	1.54
	<i>0.094</i>	<i>10.000</i>	<i>0.014</i>							<i>0.061</i>
# CS-0240-0035-04-S2-C	2.40	3.5	0.40	2.70	6.21	7.76	2.60	302 Stainless Steel	Closed	1.48
	<i>0.094</i>	<i>0.138</i>	<i>0.016</i>	<i>0.106</i>			<i>0.102</i>			<i>0.058</i>
# CS-0240-0050-04-S2-C	2.40	5.0	0.40	3.70	6.21	4.90	3.40	302 Stainless Steel	Closed	1.48
	<i>0.094</i>	<i>0.197</i>	<i>0.016</i>	<i>0.146</i>			<i>0.134</i>			<i>0.058</i>
CS-0240-0070-04-S2-C	2.40	7.0	0.40	5.10	6.21	3.19	4.60	302 Stainless Steel	Closed	1.48
	<i>0.094</i>	<i>0.276</i>	<i>0.016</i>	<i>0.201</i>			<i>0.181</i>			<i>0.058</i>
CS-0240-0100-04-S2-C	2.40	10.0	0.40	7.00	6.21	2.17	6.20	302 Stainless Steel	Closed	1.48
	<i>0.094</i>	<i>0.394</i>	<i>0.016</i>	<i>0.276</i>			<i>0.244</i>			<i>0.058</i>
# CS-0240-0140-04-S2-C	2.40	14.0	0.40	9.90	6.21	1.47	8.60	302 Stainless Steel	Closed	1.48
	<i>0.094</i>	<i>0.551</i>	<i>0.016</i>	<i>0.390</i>			<i>0.339</i>			<i>0.058</i>
CS-0270-0054-02-S2-C	2.70	5.4	0.20	1.60	1.00	0.26	1.30	302 Stainless Steel	Closed	2.17
	<i>0.106</i>	<i>0.213</i>	<i>0.008</i>	<i>0.063</i>			<i>0.051</i>			<i>0.085</i>

Indicates item not stocked at time of printing - Please enquire for lead time

Page 11 of 71

E&OE Pricing and all details subject to change without notice - Copyright Miniature Bearings Australia Pty Ltd

MBA Size Listings are a guide to sizes only and must not be solely relied on for critical design information.

Springs - Compression - Standard - Stainless Steel

Part Number	Spring OD (D0) mm	Free Length (L0) mm	Wire Diameter (d) mm	Loaded Height (L1) mm	Load at L1 N	Rate (P/f) N/mm	Solid Height (Sh) mm	Material	End Type	Max Rod Dia. (A) mm
	<i>inches</i>	<i>inches</i>	<i>inches</i>	<i>inches</i>			<i>inches</i>			<i>inches</i>
CS-0270-0082-02-S2-C	2.70	8.2	0.20	2.20	1.00	0.17	1.70	302 Stainless Steel	Closed	2.17
	<i>0.106</i>	<i>0.323</i>	<i>0.008</i>	<i>0.087</i>			<i>0.067</i>			<i>0.085</i>
# CS-0270-0124-02-S2-C	2.70	12.4	0.20	3.10	1.00	0.11	2.30	302 Stainless Steel	Closed	2.17
	<i>0.106</i>	<i>0.488</i>	<i>0.008</i>	<i>0.122</i>			<i>0.091</i>			<i>0.085</i>
# CS-0270-0179-02-S2-C	2.70	17.9	0.20	4.20	1.00	0.07	3.10	302 Stainless Steel	Closed	2.17
	<i>0.106</i>	<i>0.705</i>	<i>0.008</i>	<i>0.165</i>			<i>0.122</i>			<i>0.085</i>
CS-0270-0262-02-S2-C	2.70	26.2	0.20	5.90	1.00	0.05	4.30	302 Stainless Steel	Closed	2.17
	<i>0.106</i>	<i>1.031</i>	<i>0.008</i>	<i>0.232</i>			<i>0.169</i>			<i>0.085</i>
CS-0275-0049-03-S2-C	2.75	4.9	0.25	1.90	1.92	0.64	1.60	302 Stainless Steel	Closed	2.11
	<i>0.108</i>	<i>0.193</i>	<i>0.010</i>	<i>0.075</i>			<i>0.063</i>			<i>0.083</i>
# CS-0275-0073-03-S2-C	2.75	7.3	0.25	2.60	1.92	0.41	2.10	302 Stainless Steel	Closed	2.11
	<i>0.108</i>	<i>0.287</i>	<i>0.010</i>	<i>0.102</i>			<i>0.083</i>			<i>0.083</i>
CS-0275-0109-03-S2-C	2.75	10.9	0.25	3.60	1.92	0.26	2.90	302 Stainless Steel	Closed	2.11
	<i>0.108</i>	<i>0.429</i>	<i>0.010</i>	<i>0.142</i>			<i>0.114</i>			<i>0.083</i>
# CS-0275-0157-03-S2-C	2.75	15.7	0.25	5.00	1.92	0.18	3.90	302 Stainless Steel	Closed	2.11
	<i>0.108</i>	<i>0.618</i>	<i>0.010</i>	<i>0.197</i>			<i>0.154</i>			<i>0.083</i>

Indicates item not stocked at time of printing - Please enquire for lead time

Page 12 of 71

E&OE Pricing and all details subject to change without notice - Copyright Miniature Bearings Australia Pty Ltd
MBA Size Listings are a guide to sizes only and must not be solely relied on for critical design information.

Springs - Compression - Standard - Stainless Steel

Part Number	Spring OD (D0) mm	Free Length (L0) mm	Wire Diameter (d) mm	Loaded Height (L1) mm	Load at L1 N	Rate (P/f) N/mm	Solid Height (Sh) mm	Material	End Type	Max Rod Dia. (A) mm
	<i>inches</i>	<i>inches</i>	<i>inches</i>	<i>inches</i>			<i>inches</i>			<i>inches</i>
# CS-0275-0229-03-S2-C	2.75	22.9	0.25	7.00	1.92	0.12	5.40	302 Stainless Steel	Closed	2.11
	<i>0.108</i>	<i>0.902</i>	<i>0.010</i>	<i>0.276</i>			<i>0.213</i>			<i>0.083</i>
# CS-0282-0047-03-S2-C	2.82	4.7	0.32	2.40	3.91	1.72	2.10	302 Stainless Steel	Closed	2.04
	<i>0.111</i>	<i>0.185</i>	<i>0.013</i>	<i>0.094</i>			<i>0.083</i>			<i>0.080</i>
CS-0282-0068-03-S2-C	2.82	6.8	0.32	3.20	3.91	1.09	2.70	302 Stainless Steel	Closed	2.04
	<i>0.111</i>	<i>0.268</i>	<i>0.013</i>	<i>0.126</i>			<i>0.106</i>			<i>0.080</i>
CS-0282-0100-03-S2-C	2.82	10.0	0.32	4.40	3.91	0.71	3.70	302 Stainless Steel	Closed	2.04
	<i>0.111</i>	<i>0.394</i>	<i>0.013</i>	<i>0.173</i>			<i>0.146</i>			<i>0.080</i>
# CS-0282-0142-03-S2-C	2.82	14.2	0.32	6.10	3.91	0.48	5.00	302 Stainless Steel	Closed	2.04
	<i>0.111</i>	<i>0.559</i>	<i>0.013</i>	<i>0.240</i>			<i>0.197</i>			<i>0.080</i>
CS-0282-0206-03-S2-C	2.82	20.6	0.32	8.50	3.91	0.32	6.90	302 Stainless Steel	Closed	2.04
	<i>0.111</i>	<i>0.811</i>	<i>0.013</i>	<i>0.335</i>			<i>0.272</i>			<i>0.080</i>
# CS-0290-0043-04-S2-C	2.90	4.3	0.40	2.80	5.96	3.97	2.60	302 Stainless Steel	Closed	1.96
	<i>0.114</i>	<i>0.169</i>	<i>0.016</i>	<i>0.110</i>			<i>0.102</i>			<i>0.077</i>
# CS-0290-0063-04-S2-C	2.90	6.3	0.40	3.90	5.96	2.53	3.40	302 Stainless Steel	Closed	1.96
	<i>0.114</i>	<i>0.248</i>	<i>0.016</i>	<i>0.154</i>			<i>0.134</i>			<i>0.077</i>

Indicates item not stocked at time of printing - Please enquire for lead time

Page 13 of 71

E&OE Pricing and all details subject to change without notice - Copyright Miniature Bearings Australia Pty Ltd
MBA Size Listings are a guide to sizes only and must not be solely relied on for critical design information.

Springs - Compression - Standard - Stainless Steel

Part Number	Spring OD (D0) mm	Free Length (L0) mm	Wire Diameter (d) mm	Loaded Height (L1) mm	Load at L1 N	Rate (P/f) N/mm	Solid Height (Sh) mm	Material	End Type	Max Rod Dia. (A) mm
	<i>inches</i>	<i>inches</i>	<i>inches</i>	<i>inches</i>			<i>inches</i>			<i>inches</i>
CS-0290-0091-04-S2-C	2.90	9.1	0.40	5.40	5.96	1.63	4.60	302 Stainless Steel	Closed	1.96
	<i>0.114</i>	<i>0.358</i>	<i>0.016</i>	<i>0.213</i>			<i>0.181</i>			<i>0.077</i>
# CS-0290-0130-04-S2-C	2.90	13.0	0.40	7.50	5.96	1.11	6.20	302 Stainless Steel	Closed	1.96
	<i>0.114</i>	<i>0.512</i>	<i>0.016</i>	<i>0.295</i>			<i>0.244</i>			<i>0.077</i>
# CS-0290-0185-04-S2-C	2.90	18.5	0.40	10.60	5.96	0.75	8.60	302 Stainless Steel	Closed	1.96
	<i>0.114</i>	<i>0.728</i>	<i>0.016</i>	<i>0.417</i>			<i>0.339</i>			<i>0.077</i>
CS-0300-0044-05-S2-C	3.00	4.4	0.50	3.50	8.66	9.65	3.30	302 Stainless Steel	Closed	1.85
	<i>0.118</i>	<i>0.173</i>	<i>0.020</i>	<i>0.138</i>			<i>0.130</i>			<i>0.073</i>
# CS-0300-0061-05-S2-C	3.00	6.1	0.50	4.70	8.66	6.18	4.30	302 Stainless Steel	Closed	1.85
	<i>0.118</i>	<i>0.240</i>	<i>0.020</i>	<i>0.185</i>			<i>0.169</i>			<i>0.073</i>
# CS-0300-0065-04-S2-G	3.00	6.5	0.35	-	6.78	1.59	2.40	302 Stainless Steel	Closed Ground Flush	2.15
	<i>0.118</i>	<i>0.256</i>	<i>0.014</i>				<i>0.094</i>			<i>0.085</i>
# CS-0300-0065-05-S2-G	3.00	6.5	0.50	-	17.08	6.25	3.76	302 Stainless Steel	Closed Ground Flush	1.85
	<i>0.118</i>	<i>0.256</i>	<i>0.020</i>				<i>0.148</i>			<i>0.073</i>
CS-0300-0080-04-S2-G	3.00	8.0	0.35	-	6.78	1.26	2.80	302 Stainless Steel	Closed Ground Flush	2.15
	<i>0.118</i>	<i>0.315</i>	<i>0.014</i>				<i>0.110</i>			<i>0.085</i>

Indicates item not stocked at time of printing - Please enquire for lead time

Page 14 of 71

E&OE Pricing and all details subject to change without notice - Copyright Miniature Bearings Australia Pty Ltd
MBA Size Listings are a guide to sizes only and must not be solely relied on for critical design information.

Springs - Compression - Standard - Stainless Steel

Part Number	Spring OD (D0) mm	Free Length (L0) mm	Wire Diameter (d) mm	Loaded Height (L1) mm	Load at L1 N	Rate (P/f) N/mm	Solid Height (Sh) mm	Material	End Type	Max Rod Dia. (A) mm
	<i>inches</i>	<i>inches</i>	<i>inches</i>	<i>inches</i>			<i>inches</i>			<i>inches</i>
CS-0300-0080-05-S2-G	3.00	8.0	0.50	-	17.08	4.91	4.52	302 Stainless Steel	Closed Ground Flush	1.85
	<i>0.118</i>	<i>0.315</i>	<i>0.020</i>				<i>0.178</i>			<i>0.073</i>
# CS-0300-0087-05-S2-C	3.00	8.7	0.50	6.50	8.66	4.00	5.80	302 Stainless Steel	Closed	1.85
	<i>0.118</i>	<i>0.343</i>	<i>0.020</i>	<i>0.256</i>			<i>0.228</i>			<i>0.073</i>
# CS-0300-0095-04-S2-G	3.00	9.5	0.35	-	6.78	1.05	3.20	302 Stainless Steel	Closed Ground Flush	2.15
	<i>0.118</i>	<i>0.374</i>	<i>0.014</i>				<i>0.126</i>			<i>0.085</i>
# CS-0300-0095-05-S2-G	3.00	9.5	0.50	-	17.08	4.04	5.26	302 Stainless Steel	Closed Ground Flush	1.85
	<i>0.118</i>	<i>0.374</i>	<i>0.020</i>				<i>0.207</i>			<i>0.073</i>
# CS-0300-0110-04-S2-G	3.00	11.0	0.35	-	6.78	0.89	3.60	302 Stainless Steel	Closed Ground Flush	2.15
	<i>0.118</i>	<i>0.433</i>	<i>0.014</i>				<i>0.142</i>			<i>0.085</i>
# CS-0300-0110-05-S2-G	3.00	11.0	0.50	-	17.08	3.43	6.02	302 Stainless Steel	Closed Ground Flush	1.85
	<i>0.118</i>	<i>0.433</i>	<i>0.020</i>				<i>0.237</i>			<i>0.073</i>
# CS-0300-0120-05-S2-C	3.00	12.0	0.50	9.00	8.66	2.72	7.80	302 Stainless Steel	Closed	1.85
	<i>0.118</i>	<i>0.472</i>	<i>0.020</i>	<i>0.354</i>			<i>0.307</i>			<i>0.073</i>
# CS-0300-0125-04-S2-G	3.00	12.5	0.35	-	6.78	0.78	4.00	302 Stainless Steel	Closed Ground Flush	2.15
	<i>0.118</i>	<i>0.492</i>	<i>0.014</i>				<i>0.157</i>			<i>0.085</i>

Indicates item not stocked at time of printing - Please enquire for lead time

E&OE Pricing and all details subject to change without notice - Copyright Miniature Bearings Australia Pty Ltd

MBA Size Listings are a guide to sizes only and must not be solely relied on for critical design information.

Springs - Compression - Standard - Stainless Steel

Part Number	Spring OD (D0) mm	Free Length (L0) mm	Wire Diameter (d) mm	Loaded Height (L1) mm	Load at L1 N	Rate (P/f) N/mm	Solid Height (Sh) mm	Material	End Type	Max Rod Dia. (A) mm
	<i>inches</i>	<i>inches</i>	<i>inches</i>	<i>inches</i>			<i>inches</i>			<i>inches</i>
CS-0300-0125-05-S2-G	3.00	12.5	0.50	-	17.08	2.98	6.76	302 Stainless Steel	Closed Ground Flush	1.85
	<i>0.118</i>	<i>0.492</i>	<i>0.020</i>				<i>0.266</i>			<i>0.073</i>
CS-0300-0175-05-S2-C	3.00	17.5	0.50	12.80	8.66	1.84	10.80	302 Stainless Steel	Closed	1.85
	<i>0.118</i>	<i>0.689</i>	<i>0.020</i>	<i>0.504</i>			<i>0.425</i>			<i>0.073</i>
# CS-0305-0064-03-S2-G	3.05	6.4	0.36	3.51	4.46	1.61	2.565	302 Stainless Steel	Closed Ground Flush	2.18
	<i>0.120</i>	<i>0.252</i>	<i>0.014</i>	<i>0.138</i>			<i>0.101</i>			<i>0.086</i>
# CS-0305-0064-04-S2-G	3.05	6.4	0.41	3.68	6.69	2.56	3.023	302 Stainless Steel	Closed Ground Flush	2.08
	<i>0.120</i>	<i>0.252</i>	<i>0.016</i>	<i>0.145</i>			<i>0.119</i>			<i>0.082</i>
CS-0305-0097-04-S2-G	3.05	9.7	0.46	6.02	9.32	2.61	4.928	302 Stainless Steel	Closed Ground Flush	1.98
	<i>0.120</i>	<i>0.382</i>	<i>0.018</i>	<i>0.237</i>			<i>0.194</i>			<i>0.078</i>
CS-0305-0097-05-S2-G	3.05	9.7	0.51	6.60	12.08	4.04	5.74	302 Stainless Steel	Closed Ground Flush	1.88
	<i>0.120</i>	<i>0.382</i>	<i>0.020</i>	<i>0.260</i>			<i>0.226</i>			<i>0.074</i>
CS-0305-0127-04-S2-G	3.05	12.7	0.41	7.11	6.69	1.21	5.283	302 Stainless Steel	Closed Ground Flush	2.08
	<i>0.120</i>	<i>0.500</i>	<i>0.016</i>	<i>0.280</i>			<i>0.208</i>			<i>0.082</i>
CS-0305-0127-06-S2-G	3.05	12.7	0.56	9.04	16.32	4.53	8.103	302 Stainless Steel	Closed Ground Flush	1.78
	<i>0.120</i>	<i>0.500</i>	<i>0.022</i>	<i>0.356</i>			<i>0.319</i>			<i>0.070</i>

Indicates item not stocked at time of printing - Please enquire for lead time

Page 16 of 71

E&OE Pricing and all details subject to change without notice - Copyright Miniature Bearings Australia Pty Ltd
MBA Size Listings are a guide to sizes only and must not be solely relied on for critical design information.

Springs - Compression - Standard - Stainless Steel

Part Number	Spring OD (D0) mm	Free Length (L0) mm	Wire Diameter (d) mm	Loaded Height (L1) mm	Load at L1 N	Rate (P/f) N/mm	Solid Height (Sh) mm	Material	End Type	Max Rod Dia. (A) mm
	<i>inches</i>	<i>inches</i>	<i>inches</i>	<i>inches</i>			<i>inches</i>			<i>inches</i>
# CS-0305-0158-05-S2-G	3.05	15.8	0.46	9.60	9.32	1.54	7.544	302 Stainless Steel	Closed Ground Flush	1.98
	<i>0.120</i>	<i>0.622</i>	<i>0.018</i>	<i>0.378</i>			<i>0.297</i>			<i>0.078</i>
# CS-0305-0191-04-S2-G	3.05	19.1	0.46	11.38	9.32	1.24	9.119	302 Stainless Steel	Closed Ground Flush	1.98
	<i>0.120</i>	<i>0.752</i>	<i>0.018</i>	<i>0.448</i>			<i>0.359</i>			<i>0.078</i>
# CS-0305-0191-05-S2-G	3.05	19.1	0.51	12.70	12.08	1.93	10.338	302 Stainless Steel	Closed Ground Flush	1.88
	<i>0.120</i>	<i>0.752</i>	<i>0.020</i>	<i>0.500</i>			<i>0.407</i>			<i>0.074</i>
CS-0305-0254-06-S2-G	3.05	25.4	0.56	18.01	16.32	2.14	15.240	302 Stainless Steel	Closed Ground Flush	1.78
	<i>0.120</i>	<i>1.000</i>	<i>0.022</i>	<i>0.709</i>			<i>0.600</i>			<i>0.070</i>
# CS-0318-2540-03-S2	3.18	254.0	0.30	-	-	-	-	302 Stainless Steel	Open	2.42
	<i>0.125</i>	<i>10.000</i>	<i>0.012</i>							<i>0.095</i>
# CS-0318-2540-04-S2	3.18	254.0	0.41	-	-	-	-	302 Stainless Steel	Open	2.20
	<i>0.125</i>	<i>10.000</i>	<i>0.016</i>							<i>0.087</i>
CS-0345-0071-03-S2-C	3.45	7.1	0.25	2.00	1.53	0.30	1.60	302 Stainless Steel	Closed	2.78
	<i>0.136</i>	<i>0.280</i>	<i>0.010</i>	<i>0.079</i>			<i>0.063</i>			<i>0.109</i>
CS-0345-0107-03-S2-C	3.45	10.7	0.25	2.80	1.53	0.20	2.10	302 Stainless Steel	Closed	2.78
	<i>0.136</i>	<i>0.421</i>	<i>0.010</i>	<i>0.110</i>			<i>0.083</i>			<i>0.109</i>

Indicates item not stocked at time of printing - Please enquire for lead time

Page 17 of 71

E&OE Pricing and all details subject to change without notice - Copyright Miniature Bearings Australia Pty Ltd
MBA Size Listings are a guide to sizes only and must not be solely relied on for critical design information.

Springs - Compression - Standard - Stainless Steel

Part Number	Spring OD (D0) mm	Free Length (L0) mm	Wire Diameter (d) mm	Loaded Height (L1) mm	Load at L1 N	Rate (P/f) N/mm	Solid Height (Sh) mm	Material	End Type	Max Rod Dia. (A) mm
	<i>inches</i>	<i>inches</i>	<i>inches</i>	<i>inches</i>			<i>inches</i>			<i>inches</i>
# CS-0345-0161-03-S2-C	3.45	16.1	0.25	3.80	1.53	0.13	2.90	302 Stainless Steel	Closed	2.78
	<i>0.136</i>	<i>0.634</i>	<i>0.010</i>	<i>0.150</i>			<i>0.114</i>			<i>0.109</i>
# CS-0345-0233-03-S2-C	3.45	23.3	0.25	5.30	1.53	0.09	3.90	302 Stainless Steel	Closed	2.78
	<i>0.136</i>	<i>0.917</i>	<i>0.010</i>	<i>0.209</i>			<i>0.154</i>			<i>0.109</i>
# CS-0345-0341-03-S2-C	3.45	34.1	0.25	7.50	1.53	0.06	5.40	302 Stainless Steel	Closed	2.78
	<i>0.136</i>	<i>1.343</i>	<i>0.010</i>	<i>0.295</i>			<i>0.213</i>			<i>0.109</i>
# CS-0352-0063-03-S2-C	3.52	6.3	0.32	2.50	3.16	0.81	2.10	302 Stainless Steel	Closed	2.70
	<i>0.139</i>	<i>0.248</i>	<i>0.013</i>	<i>0.098</i>			<i>0.083</i>			<i>0.106</i>
CS-0352-0094-03-S2-C	3.52	9.4	0.32	3.30	3.16	0.52	2.70	302 Stainless Steel	Closed	2.70
	<i>0.139</i>	<i>0.370</i>	<i>0.013</i>	<i>0.130</i>			<i>0.106</i>			<i>0.106</i>
# CS-0352-0140-03-S2-C	3.52	14.0	0.32	4.60	3.16	0.33	3.70	302 Stainless Steel	Closed	2.70
	<i>0.139</i>	<i>0.551</i>	<i>0.013</i>	<i>0.181</i>			<i>0.146</i>			<i>0.106</i>
# CS-0352-0201-03-S2-C	3.52	20.1	0.32	6.30	3.16	0.23	5.00	302 Stainless Steel	Closed	2.70
	<i>0.139</i>	<i>0.791</i>	<i>0.013</i>	<i>0.248</i>			<i>0.197</i>			<i>0.106</i>
CS-0352-0293-03-S2-C	3.52	29.3	0.32	8.90	3.16	0.16	6.90	302 Stainless Steel	Closed	2.70
	<i>0.139</i>	<i>1.154</i>	<i>0.013</i>	<i>0.350</i>			<i>0.272</i>			<i>0.106</i>

Indicates item not stocked at time of printing - Please enquire for lead time

Page 18 of 71

E&OE Pricing and all details subject to change without notice - Copyright Miniature Bearings Australia Pty Ltd

MBA Size Listings are a guide to sizes only and must not be solely relied on for critical design information.

Springs - Compression - Standard - Stainless Steel

Part Number	Spring OD (D0) mm	Free Length (L0) mm	Wire Diameter (d) mm	Loaded Height (L1) mm	Load at L1 N	Rate (P/f) N/mm	Solid Height (Sh) mm	Material	End Type	Max Rod Dia. (A) mm
	<i>inches</i>	<i>inches</i>	<i>inches</i>	<i>inches</i>			<i>inches</i>			<i>inches</i>
# CS-0360-0056-04-S2-C	3.60	5.6	0.40	2.80	5.31	1.90	2.60	302 Stainless Steel	Closed	2.62
	<i>0.142</i>	<i>0.220</i>	<i>0.016</i>	<i>0.110</i>			<i>0.102</i>			<i>0.103</i>
# CS-0360-0083-04-S2-C	3.60	8.3	0.40	3.90	5.31	1.21	3.40	302 Stainless Steel	Closed	2.62
	<i>0.142</i>	<i>0.327</i>	<i>0.016</i>	<i>0.154</i>			<i>0.134</i>			<i>0.103</i>
CS-0360-0120-04-S2-C	3.60	12.0	0.40	5.40	5.31	0.78	4.60	302 Stainless Steel	Closed	2.62
	<i>0.142</i>	<i>0.472</i>	<i>0.016</i>	<i>0.213</i>			<i>0.181</i>			<i>0.103</i>
# CS-0360-0175-04-S2-C	3.60	17.5	0.40	7.50	5.31	0.53	6.20	302 Stainless Steel	Closed	2.62
	<i>0.142</i>	<i>0.689</i>	<i>0.016</i>	<i>0.295</i>			<i>0.244</i>			<i>0.103</i>
# CS-0360-0255-04-S2-C	3.60	25.5	0.40	10.60	5.31	0.36	8.60	302 Stainless Steel	Closed	2.62
	<i>0.142</i>	<i>1.004</i>	<i>0.016</i>	<i>0.417</i>			<i>0.339</i>			<i>0.103</i>
# CS-0370-0055-05-S2-C	3.70	5.5	0.50	3.70	8.33	4.64	3.30	302 Stainless Steel	Closed	2.52
	<i>0.146</i>	<i>0.217</i>	<i>0.020</i>	<i>0.146</i>			<i>0.130</i>			<i>0.099</i>
# CS-0370-0079-05-S2-C	3.70	7.9	0.50	5.10	8.33	2.94	4.30	302 Stainless Steel	Closed	2.52
	<i>0.146</i>	<i>0.311</i>	<i>0.020</i>	<i>0.201</i>			<i>0.169</i>			<i>0.099</i>
CS-0370-0115-05-S2-C	3.70	11.5	0.50	7.10	8.33	1.90	5.80	302 Stainless Steel	Closed	2.52
	<i>0.146</i>	<i>0.453</i>	<i>0.020</i>	<i>0.280</i>			<i>0.228</i>			<i>0.099</i>

Indicates item not stocked at time of printing - Please enquire for lead time

Page 19 of 71

E&OE Pricing and all details subject to change without notice - Copyright Miniature Bearings Australia Pty Ltd
MBA Size Listings are a guide to sizes only and must not be solely relied on for critical design information.

Springs - Compression - Standard - Stainless Steel

Part Number	Spring OD (D0) mm	Free Length (L0) mm	Wire Diameter (d) mm	Loaded Height (L1) mm	Load at L1 N	Rate (P/f) N/mm	Solid Height (Sh) mm	Material	End Type	Max Rod Dia. (A) mm
	<i>inches</i>	<i>inches</i>	<i>inches</i>	<i>inches</i>			<i>inches</i>			<i>inches</i>
CS-0370-0160-05-S2-C	3.70	16.0	0.50	9.80	8.33	1.30	7.80	302 Stainless Steel	Closed	2.52
	<i>0.146</i>	<i>0.630</i>	<i>0.020</i>	<i>0.386</i>			<i>0.307</i>			<i>0.099</i>
# CS-0370-0235-05-S2-C	3.70	23.5	0.50	14.00	8.33	0.87	10.80	302 Stainless Steel	Closed	2.52
	<i>0.146</i>	<i>0.925</i>	<i>0.020</i>	<i>0.551</i>			<i>0.425</i>			<i>0.099</i>
# CS-0376-0064-05-S2-G	3.76	6.4	0.53	4.11	11.46	5.20	3.632	302 Stainless Steel	Closed Ground Flush	2.51
	<i>0.148</i>	<i>0.252</i>	<i>0.021</i>	<i>0.162</i>			<i>0.143</i>			<i>0.099</i>
# CS-0376-0097-05-S2-G	3.76	9.7	0.53	6.02	11.46	3.20	4.902	302 Stainless Steel	Closed Ground Flush	2.51
	<i>0.148</i>	<i>0.382</i>	<i>0.021</i>	<i>0.237</i>			<i>0.193</i>			<i>0.099</i>
CS-0383-0055-06-S2-C	3.83	5.5	0.63	4.00	17.48	11.68	4.10	302 Stainless Steel	Closed	2.38
	<i>0.151</i>	<i>0.217</i>	<i>0.025</i>	<i>0.157</i>			<i>0.161</i>			<i>0.094</i>
# CS-0383-0078-06-S2-C	3.83	7.8	0.63	5.40	17.48	7.41	5.40	302 Stainless Steel	Closed	2.38
	<i>0.151</i>	<i>0.307</i>	<i>0.025</i>	<i>0.213</i>			<i>0.213</i>			<i>0.094</i>
# CS-0383-0110-06-S2-C	3.83	11.0	0.63	7.50	17.48	4.81	7.30	302 Stainless Steel	Closed	2.38
	<i>0.151</i>	<i>0.433</i>	<i>0.025</i>	<i>0.295</i>			<i>0.287</i>			<i>0.094</i>
CS-0383-0155-06-S2-C	3.83	15.5	0.63	10.30	17.48	3.27	10.30	302 Stainless Steel	Closed	2.38
	<i>0.151</i>	<i>0.610</i>	<i>0.025</i>	<i>0.406</i>			<i>0.406</i>			<i>0.094</i>

Indicates item not stocked at time of printing - Please enquire for lead time

Page 20 of 71

E&OE Pricing and all details subject to change without notice - Copyright Miniature Bearings Australia Pty Ltd
MBA Size Listings are a guide to sizes only and must not be solely relied on for critical design information.

Springs - Compression - Standard - Stainless Steel

Part Number	Spring OD (D0) mm	Free Length (L0) mm	Wire Diameter (d) mm	Loaded Height (L1) mm	Load at L1 N	Rate (P/f) N/mm	Solid Height (Sh) mm	Material	End Type	Max Rod Dia. (A) mm
	<i>inches</i>	<i>inches</i>	<i>inches</i>	<i>inches</i>			<i>inches</i>			<i>inches</i>
CS-0383-0225-06-S2-C	3.83	22.5	0.63	14.70	17.48	2.21	14.70	302 Stainless Steel	Closed	2.38
	<i>0.151</i>	<i>0.886</i>	<i>0.025</i>	<i>0.579</i>			<i>0.579</i>			<i>0.094</i>
CS-0432-0087-03-S2-C	4.32	8.7	0.35	2.60	2.57	0.42	2.10	302 Stainless Steel	Closed	3.46
	<i>0.170</i>	<i>0.343</i>	<i>0.014</i>	<i>0.102</i>			<i>0.083</i>			<i>0.136</i>
CS-0432-0131-03-S2-C	4.32	13.1	0.32	3.50	2.57	0.26	2.70	302 Stainless Steel	Closed	3.46
	<i>0.170</i>	<i>0.516</i>	<i>0.013</i>	<i>0.138</i>			<i>0.106</i>			<i>0.136</i>
CS-0432-0198-03-S2-C	4.32	19.8	0.32	4.90	2.57	0.18	3.70	302 Stainless Steel	Closed	3.46
	<i>0.170</i>	<i>0.780</i>	<i>0.013</i>	<i>0.193</i>			<i>0.146</i>			<i>0.136</i>
CS-0432-0286-03-S2-C	4.32	28.6	0.32	6.70	2.57	0.12	5.00	302 Stainless Steel	Closed	3.46
	<i>0.170</i>	<i>1.126</i>	<i>0.013</i>	<i>0.264</i>			<i>0.197</i>			<i>0.136</i>
CS-0432-0419-03-S2-C	4.32	41.9	0.32	9.50	2.57	0.08	6.90	302 Stainless Steel	Closed	3.46
	<i>0.170</i>	<i>1.650</i>	<i>0.013</i>	<i>0.374</i>			<i>0.272</i>			<i>0.136</i>
CS-0440-0075-04-S2-C	4.40	7.5	0.40	3.00	4.37	0.97	2.60	302 Stainless Steel	Closed	3.38
	<i>0.173</i>	<i>0.295</i>	<i>0.016</i>	<i>0.118</i>			<i>0.102</i>			<i>0.133</i>
CS-0440-0110-04-S2-C	4.40	11.0	0.40	4.10	4.37	0.62	3.40	302 Stainless Steel	Closed	3.38
	<i>0.173</i>	<i>0.433</i>	<i>0.016</i>	<i>0.161</i>			<i>0.134</i>			<i>0.133</i>

Indicates item not stocked at time of printing - Please enquire for lead time

Page 21 of 71

E&OE Pricing and all details subject to change without notice - Copyright Miniature Bearings Australia Pty Ltd
MBA Size Listings are a guide to sizes only and must not be solely relied on for critical design information.

Springs - Compression - Standard - Stainless Steel

Part Number	Spring OD (D0) mm	Free Length (L0) mm	Wire Diameter (d) mm	Loaded Height (L1) mm	Load at L1 N	Rate (P/f) N/mm	Solid Height (Sh) mm	Material	End Type	Max Rod Dia. (A) mm
	<i>inches</i>	<i>inches</i>	<i>inches</i>	<i>inches</i>			<i>inches</i>			<i>inches</i>
CS-0440-0165-04-S2-C	4.40	16.5	0.40	5.80	4.37	0.40	4.60	302 Stainless Steel	Closed	3.38
	<i>0.173</i>	<i>0.650</i>	<i>0.016</i>	<i>0.228</i>			<i>0.181</i>			<i>0.133</i>
# CS-0440-0240-04-S2-C	4.40	24.0	0.40	8.00	4.37	0.27	6.20	302 Stainless Steel	Closed	3.38
	<i>0.173</i>	<i>0.945</i>	<i>0.016</i>	<i>0.315</i>			<i>0.244</i>			<i>0.133</i>
CS-0440-0355-04-S2-C	4.40	35.5	0.40	11.40	4.37	0.18	8.60	302 Stainless Steel	Closed	3.38
	<i>0.173</i>	<i>1.398</i>	<i>0.016</i>	<i>0.449</i>			<i>0.339</i>			<i>0.133</i>
CS-0450-0070-05-S2-C	4.50	7.0	0.50	3.70	7.76	2.36	3.30	302 Stainless Steel	Closed	3.28
	<i>0.177</i>	<i>0.276</i>	<i>0.020</i>	<i>0.146</i>			<i>0.130</i>			<i>0.129</i>
CS-0450-0100-05-S2-C	4.50	10.0	0.50	5.10	7.76	1.51	4.30	302 Stainless Steel	Closed	3.28
	<i>0.177</i>	<i>0.394</i>	<i>0.020</i>	<i>0.201</i>			<i>0.169</i>			<i>0.129</i>
CS-0450-0150-05-S2-C	4.50	15.0	0.50	7.10	7.76	0.97	5.80	302 Stainless Steel	Closed	3.28
	<i>0.177</i>	<i>0.591</i>	<i>0.020</i>	<i>0.280</i>			<i>0.228</i>			<i>0.129</i>
# CS-0450-0215-05-S2-C	4.50	21.5	0.50	9.80	7.76	0.66	7.80	302 Stainless Steel	Closed	3.28
	<i>0.177</i>	<i>0.846</i>	<i>0.020</i>	<i>0.386</i>			<i>0.307</i>			<i>0.129</i>
# CS-0450-0310-05-S2-C	4.50	31.0	0.50	14.00	7.76	0.45	10.80	302 Stainless Steel	Closed	3.28
	<i>0.177</i>	<i>1.220</i>	<i>0.020</i>	<i>0.551</i>			<i>0.425</i>			<i>0.129</i>

Indicates item not stocked at time of printing - Please enquire for lead time

Page 22 of 71

E&OE Pricing and all details subject to change without notice - Copyright Miniature Bearings Australia Pty Ltd
MBA Size Listings are a guide to sizes only and must not be solely relied on for critical design information.

Springs - Compression - Standard - Stainless Steel

Part Number	Spring OD (D0) mm	Free Length (L0) mm	Wire Diameter (d) mm	Loaded Height (L1) mm	Load at L1 N	Rate (P/f) N/mm	Solid Height (Sh) mm	Material	End Type	Max Rod Dia. (A) mm
	<i>inches</i>	<i>inches</i>	<i>inches</i>	<i>inches</i>			<i>inches</i>			<i>inches</i>
CS-0457-0064-06-S2-G	4.57	6.4	0.56	3.66	11.42	4.32	3.073	302 Stainless Steel	Closed Ground Flush	3.22
	<i>0.180</i>	<i>0.252</i>	<i>0.022</i>	<i>0.144</i>			<i>0.121</i>			<i>0.127</i>
CS-0457-0079-04-S2-G	4.57	7.9	0.41	3.63	4.55	1.09	2.210	302 Stainless Steel	Closed Ground Flush	3.52
	<i>0.180</i>	<i>0.311</i>	<i>0.016</i>	<i>0.143</i>			<i>0.087</i>			<i>0.139</i>
CS-0457-0127-04-S2-G	4.57	12.7	0.46	6.07	6.43	0.98	3.658	302 Stainless Steel	Closed Ground Flush	3.42
	<i>0.180</i>	<i>0.500</i>	<i>0.018</i>	<i>0.239</i>			<i>0.144</i>			<i>0.135</i>
# CS-0457-0127-05-S2-G	4.57	12.7	0.51	6.68	8.36	1.42	4.470	302 Stainless Steel	Closed Ground Flush	3.32
	<i>0.180</i>	<i>0.500</i>	<i>0.020</i>	<i>0.263</i>			<i>0.176</i>			<i>0.131</i>
# CS-0457-0127-05H-S2-G	4.57	12.7	0.56	7.11	11.42	2.07	4.877	302 Stainless Steel	Closed Ground Flush	3.22
	<i>0.180</i>	<i>0.500</i>	<i>0.022</i>	<i>0.280</i>			<i>0.192</i>			<i>0.127</i>
# CS-0457-0127-06-S2-G	4.57	12.7	0.61	7.57	13.87	2.75	5.893	302 Stainless Steel	Closed Ground Flush	3.12
	<i>0.180</i>	<i>0.500</i>	<i>0.024</i>	<i>0.298</i>			<i>0.232</i>			<i>0.123</i>
# CS-0457-0127-07-S2-G	4.57	12.7	0.66	7.92	18.33	3.90	6.274	302 Stainless Steel	Closed Ground Flush	3.02
	<i>0.180</i>	<i>0.500</i>	<i>0.026</i>	<i>0.312</i>			<i>0.247</i>			<i>0.119</i>
CS-0457-0191-07-S2-G	4.57	19.1	0.74	12.73	23.45	3.76	10.617	302 Stainless Steel	Closed Ground Flush	2.86
	<i>0.180</i>	<i>0.752</i>	<i>0.029</i>	<i>0.501</i>			<i>0.418</i>			<i>0.113</i>

Indicates item not stocked at time of printing - Please enquire for lead time

Page 23 of 71

E&OE Pricing and all details subject to change without notice - Copyright Miniature Bearings Australia Pty Ltd
MBA Size Listings are a guide to sizes only and must not be solely relied on for critical design information.

Springs - Compression - Standard - Stainless Steel

Part Number	Spring OD (D0) mm	Free Length (L0) mm	Wire Diameter (d) mm	Loaded Height (L1) mm	Load at L1 N	Rate (P/f) N/mm	Solid Height (Sh) mm	Material	End Type	Max Rod Dia. (A) mm
	<i>inches</i>	<i>inches</i>	<i>inches</i>	<i>inches</i>			<i>inches</i>			<i>inches</i>
# CS-0457-0191-08-S2-G	4.57	19.1	0.81	13.61	32.20	6.02	11.582	302 Stainless Steel	Closed Ground Flush	2.72
	<i>0.180</i>	<i>0.752</i>	<i>0.032</i>	<i>0.536</i>			<i>0.456</i>			<i>0.107</i>
# CS-0457-0254-04-S2-G	4.57	25.4	0.46	11.96	6.43	0.47	6.401	302 Stainless Steel	Closed Ground Flush	3.42
	<i>0.180</i>	<i>1.000</i>	<i>0.018</i>	<i>0.471</i>			<i>0.252</i>			<i>0.135</i>
# CS-0457-0254-05-S2-G	4.57	25.4	0.51	12.83	8.36	0.67	7.671	302 Stainless Steel	Closed Ground Flush	3.32
	<i>0.180</i>	<i>1.000</i>	<i>0.020</i>	<i>0.505</i>			<i>0.302</i>			<i>0.131</i>
# CS-046-025-06-S2-G	4.57	25.4	0.56	13.72	11.42	0.95	9.017	302 Stainless Steel	Closed Ground Flush	3.22
	<i>0.180</i>	<i>1.000</i>	<i>0.022</i>	<i>0.540</i>			<i>0.355</i>			<i>0.127</i>
# CS-0457-0254-06-S2-G	4.57	25.4	0.61	14.61	13.87	1.31	10.363	302 Stainless Steel	Closed Ground Flush	3.12
	<i>0.180</i>	<i>1.000</i>	<i>0.024</i>	<i>0.575</i>			<i>0.408</i>			<i>0.123</i>
# CS-0457-0254-07-S2-G	4.57	25.4	0.66	15.49	18.33	1.79	11.709	302 Stainless Steel	Closed Ground Flush	3.02
	<i>0.180</i>	<i>1.000</i>	<i>0.026</i>	<i>0.610</i>			<i>0.461</i>			<i>0.119</i>
# CS-0457-0381-07-S2-G	4.57	38.1	0.74	24.94	23.45	1.80	19.761	302 Stainless Steel	Closed Ground Flush	2.86
	<i>0.180</i>	<i>1.500</i>	<i>0.029</i>	<i>0.982</i>			<i>0.778</i>			<i>0.113</i>
# CS-0457-0381-08-S2-G	4.57	38.1	0.81	26.77	32.20	2.75	22.479	302 Stainless Steel	Closed Ground Flush	2.72
	<i>0.180</i>	<i>1.500</i>	<i>0.032</i>	<i>1.054</i>			<i>0.885</i>			<i>0.107</i>

Indicates item not stocked at time of printing - Please enquire for lead time

Page 24 of 71

E&OE Pricing and all details subject to change without notice - Copyright Miniature Bearings Australia Pty Ltd
MBA Size Listings are a guide to sizes only and must not be solely relied on for critical design information.

Springs - Compression - Standard - Stainless Steel

Part Number	Spring OD (D0) mm	Free Length (L0) mm	Wire Diameter (d) mm	Loaded Height (L1) mm	Load at L1 N	Rate (P/f) N/mm	Solid Height (Sh) mm	Material	End Type	Max Rod Dia. (A) mm
	<i>inches</i>	<i>inches</i>	<i>inches</i>	<i>inches</i>			<i>inches</i>			<i>inches</i>
CS-0460-0080-03-S2-G	4.60	8.0	0.35	-	4.08	0.65	1.600	302 Stainless Steel	Closed Ground Flush	3.67
	<i>0.181</i>	<i>0.315</i>	<i>0.014</i>				<i>0.063</i>			<i>0.144</i>
# CS-0460-0080-04-S2-G	4.60	8.0	0.45	-	9.00	1.58	2.310	302 Stainless Steel	Closed Ground Flush	3.47
	<i>0.181</i>	<i>0.315</i>	<i>0.018</i>				<i>0.091</i>			<i>0.137</i>
# CS-0460-0080-05-S2-G	4.60	8.0	0.55	-	14.70	3.08	3.230	302 Stainless Steel	Closed Ground Flush	3.27
	<i>0.181</i>	<i>0.315</i>	<i>0.022</i>				<i>0.127</i>			<i>0.129</i>
# CS-0460-0080-06-S2-G	4.60	8.0	0.60	-	19.58	4.42	3.560	302 Stainless Steel	Closed Ground Flush	3.17
	<i>0.181</i>	<i>0.315</i>	<i>0.024</i>				<i>0.140</i>			<i>0.125</i>
# CS-0460-0080-08-S2-G	4.60	8.0	0.80	-	45.56	15.31	4.950	302 Stainless Steel	Closed Ground Flush	2.77
	<i>0.181</i>	<i>0.315</i>	<i>0.031</i>				<i>0.195</i>			<i>0.109</i>
# CS-0460-0110-03-S2-G	4.60	11.0	0.35	-	4.08	0.46	1.980	302 Stainless Steel	Closed Ground Flush	3.67
	<i>0.181</i>	<i>0.433</i>	<i>0.014</i>				<i>0.078</i>			<i>0.144</i>
# CS-0460-0110-04-S2-G	4.60	11.0	0.45	-	9.00	1.11	2.900	302 Stainless Steel	Closed Ground Flush	3.47
	<i>0.181</i>	<i>0.433</i>	<i>0.018</i>				<i>0.114</i>			<i>0.137</i>
# CS-0460-0110-05-S2-G	4.60	11.0	0.55	-	14.70	2.14	4.140	302 Stainless Steel	Closed Ground Flush	3.27
	<i>0.181</i>	<i>0.433</i>	<i>0.022</i>				<i>0.163</i>			<i>0.129</i>

Indicates item not stocked at time of printing - Please enquire for lead time

Page 25 of 71

E&OE Pricing and all details subject to change without notice - Copyright Miniature Bearings Australia Pty Ltd
MBA Size Listings are a guide to sizes only and must not be solely relied on for critical design information.

Springs - Compression - Standard - Stainless Steel

Part Number	Spring OD (D0) mm	Free Length (L0) mm	Wire Diameter (d) mm	Loaded Height (L1) mm	Load at L1 N	Rate (P/f) N/mm	Solid Height (Sh) mm	Material	End Type	Max Rod Dia. (A) mm
	<i>inches</i>	<i>inches</i>	<i>inches</i>	<i>inches</i>			<i>inches</i>			<i>inches</i>
# CS-0460-0110-06-S2-G	4.60	11.0	0.60	-	19.58	3.07	4.600	302 Stainless Steel	Closed Ground Flush	3.17
	<i>0.181</i>	<i>0.433</i>	<i>0.024</i>				<i>0.181</i>			<i>0.125</i>
# CS-0460-0110-08-S2-G	4.60	11.0	0.80	-	45.56	10.42	6.530	302 Stainless Steel	Closed Ground Flush	2.77
	<i>0.181</i>	<i>0.433</i>	<i>0.031</i>				<i>0.257</i>			<i>0.109</i>
# CS-0460-0140-04-S2-G	4.60	14.0	0.35	-	4.08	0.36	2.360	302 Stainless Steel	Closed Ground Flush	3.67
	<i>0.181</i>	<i>0.551</i>	<i>0.014</i>				<i>0.093</i>			<i>0.144</i>
# CS-0460-0140-05-S2-G	4.60	14.0	0.45	-	9.00	0.86	3.510	302 Stainless Steel	Closed Ground Flush	3.47
	<i>0.181</i>	<i>0.551</i>	<i>0.018</i>				<i>0.138</i>			<i>0.137</i>
# CS-046-014-06-S2-G	4.60	14.0	0.55	-	14.70	1.65	5.050	302 Stainless Steel	Closed Ground Flush	3.27
	<i>0.181</i>	<i>0.551</i>	<i>0.022</i>				<i>0.199</i>			<i>0.129</i>
# CS-0460-0140-06-S2-G	4.60	14.0	0.60	-	19.58	2.35	5.660	302 Stainless Steel	Closed Ground Flush	3.17
	<i>0.181</i>	<i>0.551</i>	<i>0.024</i>				<i>0.223</i>			<i>0.125</i>
# CS-0460-0140-08-S2-G	4.60	14.0	0.80	-	45.56	7.90	8.100	302 Stainless Steel	Closed Ground Flush	2.77
	<i>0.181</i>	<i>0.551</i>	<i>0.031</i>				<i>0.319</i>			<i>0.109</i>
# CS-0460-0170-03-S2-G	4.60	17.0	0.35	-	4.08	0.29	2.740	302 Stainless Steel	Closed Ground Flush	3.67
	<i>0.181</i>	<i>0.669</i>	<i>0.014</i>				<i>0.108</i>			<i>0.144</i>

Indicates item not stocked at time of printing - Please enquire for lead time

E&OE Pricing and all details subject to change without notice - Copyright Miniature Bearings Australia Pty Ltd

MBA Size Listings are a guide to sizes only and must not be solely relied on for critical design information.

Springs - Compression - Standard - Stainless Steel

Part Number	Spring OD (D0) mm	Free Length (L0) mm	Wire Diameter (d) mm	Loaded Height (L1) mm	Load at L1 N	Rate (P/f) N/mm	Solid Height (Sh) mm	Material	End Type	Max Rod Dia. (A) mm
	<i>inches</i>	<i>inches</i>	<i>inches</i>	<i>inches</i>			<i>inches</i>			<i>inches</i>
# CS-0460-0170-04-S2-G	4.60	17.0	0.45	-	9.00	0.70	4.090	302 Stainless Steel	Closed Ground Flush	3.47
	<i>0.181</i>	<i>0.669</i>	<i>0.018</i>				<i>0.161</i>			<i>0.137</i>
# CS-0460-0170-05-S2-G	4.60	17.0	0.55	-	14.70	1.33	5.990	302 Stainless Steel	Closed Ground Flush	3.27
	<i>0.181</i>	<i>0.669</i>	<i>0.022</i>				<i>0.236</i>			<i>0.129</i>
# CS-0460-0170-06-S2-G	4.60	17.0	0.60	-	19.58	1.91	6.710	302 Stainless Steel	Closed Ground Flush	3.17
	<i>0.181</i>	<i>0.669</i>	<i>0.024</i>				<i>0.264</i>			<i>0.125</i>
# CS-0460-0170-08-S2-G	4.60	17.0	0.80	-	45.56	6.36	9.680	302 Stainless Steel	Closed Ground Flush	2.77
	<i>0.181</i>	<i>0.669</i>	<i>0.031</i>				<i>0.381</i>			<i>0.109</i>
CS-0463-0067-06-S2-C	4.63	6.7	0.63	4.30	14.29	5.96	4.10	302 Stainless Steel	Closed	3.14
	<i>0.182</i>	<i>0.264</i>	<i>0.025</i>	<i>0.169</i>			<i>0.161</i>			<i>0.124</i>
# CS-0463-0096-06-S2-C	4.63	9.6	0.63	5.80	14.29	3.79	5.40	302 Stainless Steel	Closed	3.14
	<i>0.182</i>	<i>0.378</i>	<i>0.025</i>	<i>0.228</i>			<i>0.213</i>			<i>0.124</i>
CS-0463-0140-06-S2-C	4.63	14.0	0.63	8.20	14.29	2.45	7.30	302 Stainless Steel	Closed	3.14
	<i>0.182</i>	<i>0.551</i>	<i>0.025</i>	<i>0.323</i>			<i>0.287</i>			<i>0.124</i>
CS-0463-0200-06-S2-C	4.63	20.0	0.63	11.30	14.29	1.67	9.80	302 Stainless Steel	Closed	3.14
	<i>0.182</i>	<i>0.787</i>	<i>0.025</i>	<i>0.445</i>			<i>0.386</i>			<i>0.124</i>

Indicates item not stocked at time of printing - Please enquire for lead time

Page 27 of 71

E&OE Pricing and all details subject to change without notice - Copyright Miniature Bearings Australia Pty Ltd
MBA Size Listings are a guide to sizes only and must not be solely relied on for critical design information.

Springs - Compression - Standard - Stainless Steel

Part Number	Spring OD (D0) mm	Free Length (L0) mm	Wire Diameter (d) mm	Loaded Height (L1) mm	Load at L1 N	Rate (P/f) N/mm	Solid Height (Sh) mm	Material	End Type	Max Rod Dia. (A) mm
	<i>inches</i>	<i>inches</i>	<i>inches</i>	<i>inches</i>			<i>inches</i>			<i>inches</i>
# CS-0463-0290-06-S2-C	4.63	29.0	0.63	16.20	14.29	1.12	13.50	302 Stainless Steel	Closed	3.14
	<i>0.182</i>	<i>1.142</i>	<i>0.025</i>	<i>0.638</i>			<i>0.531</i>			<i>0.124</i>
# CS-0476-2540-04-S2	4.76	254.0	0.36	-	-	-	-	302 Stainless Steel	Open	3.80
	<i>0.187</i>	<i>10.000</i>	<i>0.014</i>							<i>0.150</i>
# CS-0476-2540-05-S2	4.76	254.0	0.46	-	-	-	-	302 Stainless Steel	Open	3.60
	<i>0.187</i>	<i>10.000</i>	<i>0.018</i>							<i>0.142</i>
# CS-0476-2540-06-S2	4.76	254.0	0.64	-	-	-	-	302 Stainless Steel	Open	3.24
	<i>0.187</i>	<i>10.000</i>	<i>0.025</i>							<i>0.128</i>
# CS-0476-0191-03-S2-C	4.76	19.1	0.25	-	-	-	-	303 Stainless Steel	Closed	4.02
	<i>0.187</i>	<i>0.752</i>	<i>0.010</i>							<i>0.158</i>
CS-0480-0069-08-S2-C	4.80	6.9	0.80	5.20	26.55	15.44	5.20	302 Stainless Steel	Closed	2.96
	<i>0.189</i>	<i>0.272</i>	<i>0.031</i>	<i>0.205</i>			<i>0.205</i>			<i>0.117</i>
# CS-0480-0097-08-S2-C	4.80	9.7	0.80	7.00	26.55	9.89	6.80	302 Stainless Steel	Closed	2.96
	<i>0.189</i>	<i>0.382</i>	<i>0.031</i>	<i>0.276</i>			<i>0.268</i>			<i>0.117</i>
# CS-0480-0140-08-S2-C	4.80	14.0	0.80	9.80	26.55	6.39	9.20	302 Stainless Steel	Closed	2.96
	<i>0.189</i>	<i>0.551</i>	<i>0.031</i>	<i>0.386</i>			<i>0.362</i>			<i>0.117</i>

Indicates item not stocked at time of printing - Please enquire for lead time

Page 28 of 71

E&OE Pricing and all details subject to change without notice - Copyright Miniature Bearings Australia Pty Ltd
MBA Size Listings are a guide to sizes only and must not be solely relied on for critical design information.

Springs - Compression - Standard - Stainless Steel

Part Number	Spring OD (D0) mm	Free Length (L0) mm	Wire Diameter (d) mm	Loaded Height (L1) mm	Load at L1 N	Rate (P/f) N/mm	Solid Height (Sh) mm	Material	End Type	Max Rod Dia. (A) mm
	<i>inches</i>	<i>inches</i>	<i>inches</i>	<i>inches</i>			<i>inches</i>			<i>inches</i>
# CS-0480-0195-08-S2-C	4.80	19.5	0.80	13.50	26.55	4.35	12.40	302 Stainless Steel	Closed	2.96
	<i>0.189</i>	<i>0.768</i>	<i>0.031</i>	<i>0.531</i>			<i>0.488</i>			<i>0.117</i>
CS-0480-0280-08-S2-C	4.80	28.0	0.80	19.10	26.55	2.93	17.20	302 Stainless Steel	Closed	2.96
	<i>0.189</i>	<i>1.102</i>	<i>0.031</i>	<i>0.752</i>			<i>0.677</i>			<i>0.117</i>
CS-0540-0105-04-S2-C	5.40	10.5	0.40	3.20	3.63	0.50	2.60	302 Stainless Steel	Closed	4.33
	<i>0.213</i>	<i>0.413</i>	<i>0.016</i>	<i>0.126</i>			<i>0.102</i>			<i>0.170</i>
CS-0540-0160-04-S2-C	5.40	16.0	0.40	4.50	3.63	0.32	3.40	302 Stainless Steel	Closed	4.33
	<i>0.213</i>	<i>0.630</i>	<i>0.016</i>	<i>0.177</i>			<i>0.134</i>			<i>0.170</i>
CS-0540-0240-04-S2-C	5.40	24.0	0.40	6.40	3.63	0.21	4.60	302 Stainless Steel	Closed	4.33
	<i>0.213</i>	<i>0.945</i>	<i>0.016</i>	<i>0.252</i>			<i>0.181</i>			<i>0.170</i>
# CS-0540-0350-04-S2-C	5.40	35.0	0.40	9.00	3.63	0.14	6.20	302 Stainless Steel	Closed	4.33
	<i>0.213</i>	<i>1.378</i>	<i>0.016</i>	<i>0.354</i>			<i>0.244</i>			<i>0.170</i>
# CS-0540-0530-04-S2-C	5.40	53.0	0.40	12.80	3.63	0.09	8.60	302 Stainless Steel	Closed	4.33
	<i>0.213</i>	<i>2.087</i>	<i>0.016</i>	<i>0.504</i>			<i>0.339</i>			<i>0.170</i>
CS-0550-0094-05-S2-C	5.50	9.4	0.50	3.90	6.70	1.22	3.30	302 Stainless Steel	Closed	4.23
	<i>0.217</i>	<i>0.370</i>	<i>0.020</i>	<i>0.154</i>			<i>0.130</i>			<i>0.167</i>

Indicates item not stocked at time of printing - Please enquire for lead time

Page 29 of 71

E&OE Pricing and all details subject to change without notice - Copyright Miniature Bearings Australia Pty Ltd
MBA Size Listings are a guide to sizes only and must not be solely relied on for critical design information.

Springs - Compression - Standard - Stainless Steel

Part Number	Spring OD (D0) mm	Free Length (L0) mm	Wire Diameter (d) mm	Loaded Height (L1) mm	Load at L1 N	Rate (P/f) N/mm	Solid Height (Sh) mm	Material	End Type	Max Rod Dia. (A) mm
	<i>inches</i>	<i>inches</i>	<i>inches</i>	<i>inches</i>			<i>inches</i>			<i>inches</i>
CS-0550-0140-05-S2-C	5.50	14.0	0.50	5.40	6.70	0.77	4.30	302 Stainless Steel	Closed	4.23
	<i>0.217</i>	<i>0.551</i>	<i>0.020</i>	<i>0.213</i>			<i>0.169</i>			<i>0.167</i>
CS-0550-0205-05-S2-C	5.50	20.5	0.50	7.60	6.70	0.51	5.80	302 Stainless Steel	Closed	4.23
	<i>0.217</i>	<i>0.807</i>	<i>0.020</i>	<i>0.299</i>			<i>0.228</i>			<i>0.167</i>
CS-0550-0300-05-S2-C	5.50	30.0	0.50	10.60	6.70	0.34	7.80	302 Stainless Steel	Closed	4.23
	<i>0.217</i>	<i>1.181</i>	<i>0.020</i>	<i>0.417</i>			<i>0.307</i>			<i>0.167</i>
# CS-0550-0445-05-S2-C	5.50	44.5	0.50	15.10	6.70	0.22	10.80	302 Stainless Steel	Closed	4.23
	<i>0.217</i>	<i>1.752</i>	<i>0.020</i>	<i>0.594</i>			<i>0.425</i>			<i>0.167</i>
# CS-0563-0085-06-S2-C	5.63	8.5	0.63	4.30	12.90	3.07	4.10	302 Stainless Steel	Closed	4.09
	<i>0.222</i>	<i>0.335</i>	<i>0.025</i>	<i>0.169</i>			<i>0.161</i>			<i>0.161</i>
# CS-0563-0125-06-S2-C	5.63	12.5	0.63	5.80	12.90	1.96	5.40	302 Stainless Steel	Closed	4.09
	<i>0.222</i>	<i>0.492</i>	<i>0.025</i>	<i>0.228</i>			<i>0.213</i>			<i>0.161</i>
# CS-0563-0185-06-S2-C	5.63	18.5	0.63	8.20	12.90	1.29	7.30	302 Stainless Steel	Closed	4.09
	<i>0.222</i>	<i>0.728</i>	<i>0.025</i>	<i>0.323</i>			<i>0.287</i>			<i>0.161</i>
CS-0563-0260-06-S2-C	5.63	26.0	0.63	11.30	12.90	0.86	9.80	302 Stainless Steel	Closed	4.09
	<i>0.222</i>	<i>1.024</i>	<i>0.025</i>	<i>0.445</i>			<i>0.386</i>			<i>0.161</i>

Indicates item not stocked at time of printing - Please enquire for lead time

Page 30 of 71

E&OE Pricing and all details subject to change without notice - Copyright Miniature Bearings Australia Pty Ltd

MBA Size Listings are a guide to sizes only and must not be solely relied on for critical design information.

Springs - Compression - Standard - Stainless Steel

Part Number	Spring OD (D0) mm	Free Length (L0) mm	Wire Diameter (d) mm	Loaded Height (L1) mm	Load at L1 N	Rate (P/f) N/mm	Solid Height (Sh) mm	Material	End Type	Max Rod Dia. (A) mm
	<i>inches</i>	<i>inches</i>	<i>inches</i>	<i>inches</i>			<i>inches</i>			<i>inches</i>
# CS-0563-0385-06-S2-C	5.63	38.5	0.63	16.20	12.90	0.58	13.50	302 Stainless Steel	Closed	4.09
	<i>0.222</i>	<i>1.516</i>	<i>0.025</i>	<i>0.638</i>			<i>0.531</i>			<i>0.161</i>
CS-0580-0083-08-S2-C	5.80	8.3	0.80	5.60	21.65	7.94	5.20	302 Stainless Steel	Closed	3.91
	<i>0.228</i>	<i>0.327</i>	<i>0.031</i>	<i>0.220</i>			<i>0.205</i>			<i>0.154</i>
CS-0580-0120-08-S2-C	5.80	12.0	0.80	7.70	21.65	5.06	6.80	302 Stainless Steel	Closed	3.91
	<i>0.228</i>	<i>0.472</i>	<i>0.031</i>	<i>0.303</i>			<i>0.268</i>			<i>0.154</i>
CS-0580-0175-08-S2-C	5.80	17.5	0.80	10.90	21.65	3.27	9.20	302 Stainless Steel	Closed	3.91
	<i>0.228</i>	<i>0.689</i>	<i>0.031</i>	<i>0.429</i>			<i>0.362</i>			<i>0.154</i>
CS-0580-0245-08-S2-C	5.80	24.5	0.80	15.10	21.65	2.22	15.10	302 Stainless Steel	Closed	3.91
	<i>0.228</i>	<i>0.965</i>	<i>0.031</i>	<i>0.594</i>			<i>0.594</i>			<i>0.154</i>
CS-0580-0360-08-S2-C	5.80	36.0	0.80	21.50	21.65	1.50	17.20	302 Stainless Steel	Closed	3.91
	<i>0.228</i>	<i>1.417</i>	<i>0.031</i>	<i>0.846</i>			<i>0.677</i>			<i>0.154</i>
# CS-0600-0085-10-S2-C	6.00	8.5	1.00	6.60	36.44	19.36	5.50	302 Stainless Steel	Closed	3.70
	<i>0.236</i>	<i>0.335</i>	<i>0.039</i>	<i>0.260</i>			<i>0.217</i>			<i>0.146</i>
# CS-0600-0110-06-S2-G	6.00	11.0	0.60	-	12.25	1.68	3.730	302 Stainless Steel	Closed Ground Flush	4.50
	<i>0.236</i>	<i>0.433</i>	<i>0.024</i>				<i>0.147</i>			<i>0.177</i>

Indicates item not stocked at time of printing - Please enquire for lead time

Page 31 of 71

E&OE Pricing and all details subject to change without notice - Copyright Miniature Bearings Australia Pty Ltd
MBA Size Listings are a guide to sizes only and must not be solely relied on for critical design information.

Springs - Compression - Standard - Stainless Steel

Part Number	Spring OD (D0) mm	Free Length (L0) mm	Wire Diameter (d) mm	Loaded Height (L1) mm	Load at L1 N	Rate (P/f) N/mm	Solid Height (Sh) mm	Material	End Type	Max Rod Dia. (A) mm
	<i>inches</i>	<i>inches</i>	<i>inches</i>	<i>inches</i>			<i>inches</i>			<i>inches</i>
CS-0600-0110-08-S2-G	6.00	11.0	0.80	-	36.74	6.05	4.930	302 Stainless Steel	Closed Ground Flush	4.10
	<i>0.236</i>	<i>0.433</i>	<i>0.031</i>				<i>0.194</i>			<i>0.161</i>
CS-0600-0110-11-S2-G	6.00	11.0	1.10	-	78.47	22.31	7.490	302 Stainless Steel	Closed Ground Flush	3.50
	<i>0.236</i>	<i>0.433</i>	<i>0.043</i>				<i>0.295</i>			<i>0.138</i>
# CS-0600-0120-10-S2-C	6.00	12.0	1.00	9.00	36.44	12.34	7.50	302 Stainless Steel	Closed	3.70
	<i>0.236</i>	<i>0.472</i>	<i>0.039</i>	<i>0.354</i>			<i>0.295</i>			<i>0.146</i>
# CS-0600-0140-06-S2-G	6.00	14.0	0.60	-	12.25	1.29	4.500	302 Stainless Steel	Closed Ground Flush	4.50
	<i>0.236</i>	<i>0.551</i>	<i>0.024</i>				<i>0.177</i>			<i>0.177</i>
# CS-0600-0140-08-S2-G	6.00	14.0	0.80	-	36.74	4.58	5.970	302 Stainless Steel	Closed Ground Flush	4.10
	<i>0.236</i>	<i>0.551</i>	<i>0.031</i>				<i>0.235</i>			<i>0.161</i>
# CS-0600-0140-11-S2-G	6.00	14.0	1.10	-	78.47	16.64	9.300	302 Stainless Steel	Closed Ground Flush	3.50
	<i>0.236</i>	<i>0.551</i>	<i>0.043</i>				<i>0.366</i>			<i>0.138</i>
# CS-0600-0170-06-S2-G	6.00	17.0	0.60	-	12.25	1.04	5.26	302 Stainless Steel	Closed Ground Flush	4.50
	<i>0.236</i>	<i>0.669</i>	<i>0.024</i>				<i>0.207</i>			<i>0.177</i>
# CS-0600-0170-08-S2-G	6.00	17.0	0.80	-	36.74	3.69	7.040	302 Stainless Steel	Closed Ground Flush	4.10
	<i>0.236</i>	<i>0.669</i>	<i>0.031</i>				<i>0.277</i>			<i>0.161</i>

Indicates item not stocked at time of printing - Please enquire for lead time

Page 32 of 71

E&OE Pricing and all details subject to change without notice - Copyright Miniature Bearings Australia Pty Ltd
MBA Size Listings are a guide to sizes only and must not be solely relied on for critical design information.

Springs - Compression - Standard - Stainless Steel

Part Number	Spring OD (D0) mm	Free Length (L0) mm	Wire Diameter (d) mm	Loaded Height (L1) mm	Load at L1 N	Rate (P/f) N/mm	Solid Height (Sh) mm	Material	End Type	Max Rod Dia. (A) mm
	<i>inches</i>	<i>inches</i>	<i>inches</i>	<i>inches</i>			<i>inches</i>			<i>inches</i>
# CS-0600-0170-10-S2-C	6.00	17.0	1.00	12.60	36.44	7.97	10.50	302 Stainless Steel	Closed	3.70
	<i>0.236</i>	<i>0.669</i>	<i>0.039</i>	<i>0.496</i>			<i>0.413</i>			<i>0.146</i>
# CS-0600-0170-11-S2-G	6.00	17.0	1.10	-	78.47	13.26	11.100	302 Stainless Steel	Closed Ground Flush	3.50
	<i>0.236</i>	<i>0.669</i>	<i>0.043</i>				<i>0.437</i>			<i>0.138</i>
# CS-0600-0190-11-S2-G	6.00	19.0	1.10	-	78.47	11.69	12.290	302 Stainless Steel	Closed Ground Flush	3.50
	<i>0.236</i>	<i>0.748</i>	<i>0.043</i>				<i>0.484</i>			<i>0.138</i>
# CS-0600-0220-11-S2-G	6.00	22.0	1.10	-	78.47	9.91	14.100	302 Stainless Steel	Closed Ground Flush	3.50
	<i>0.236</i>	<i>0.866</i>	<i>0.043</i>				<i>0.555</i>			<i>0.138</i>
# CS-0600-0240-10-S2-C	6.00	24.0	1.00	17.40	36.44	5.42	14.50	302 Stainless Steel	Closed	3.70
	<i>0.236</i>	<i>0.945</i>	<i>0.039</i>	<i>0.685</i>			<i>0.571</i>			<i>0.146</i>
CS-0600-0345-10-S2-C	6.00	34.5	1.00	24.60	36.44	3.60	20.50	302 Stainless Steel	Closed	3.70
	<i>0.236</i>	<i>1.358</i>	<i>0.039</i>	<i>0.969</i>			<i>0.807</i>			<i>0.146</i>
# CS-0610-0127-07-S2-G	6.10	12.7	0.66	7.09	14.04	2.54	4.293	302 Stainless Steel	Closed Ground Flush	4.48
	<i>0.240</i>	<i>0.500</i>	<i>0.026</i>	<i>0.279</i>			<i>0.169</i>			<i>0.176</i>
# CS-0610-0127-09-S2-G	6.10	12.7	0.89	8.33	30.41	7.07	7.264	302 Stainless Steel	Closed Ground Flush	4.02
	<i>0.240</i>	<i>0.500</i>	<i>0.035</i>	<i>0.328</i>			<i>0.286</i>			<i>0.158</i>

Indicates item not stocked at time of printing - Please enquire for lead time

Page 33 of 71

E&OE Pricing and all details subject to change without notice - Copyright Miniature Bearings Australia Pty Ltd
MBA Size Listings are a guide to sizes only and must not be solely relied on for critical design information.

Springs - Compression - Standard - Stainless Steel

Part Number	Spring OD (D0) mm	Free Length (L0) mm	Wire Diameter (d) mm	Loaded Height (L1) mm	Load at L1 N	Rate (P/f) N/mm	Solid Height (Sh) mm	Material	End Type	Max Rod Dia. (A) mm
	<i>inches</i>	<i>inches</i>	<i>inches</i>	<i>inches</i>			<i>inches</i>			<i>inches</i>
# CS-0610-0158-07-S2-G	6.10	15.8	0.66	8.05	14.04	1.86	5.283	302 Stainless Steel	Closed Ground Flush	4.48
	<i>0.240</i>	<i>0.622</i>	<i>0.026</i>	<i>0.317</i>			<i>0.208</i>			<i>0.176</i>
# CS-0610-0191-10-S2-G	6.10	19.1	0.97	12.95	40.29	6.72	10.338	302 Stainless Steel	Closed Ground Flush	3.86
	<i>0.240</i>	<i>0.752</i>	<i>0.038</i>	<i>0.510</i>			<i>0.407</i>			<i>0.152</i>
# CS-0610-0254-07-S2-G	6.10	25.4	0.66	12.90	14.04	1.09	7.950	302 Stainless Steel	Closed Ground Flush	4.48
	<i>0.240</i>	<i>1.000</i>	<i>0.026</i>	<i>0.508</i>			<i>0.313</i>			<i>0.176</i>
# CS-0610-0254-09-S2-G	6.10	25.4	0.89	15.95	30.41	3.27	12.598	302 Stainless Steel	Closed Ground Flush	4.02
	<i>0.240</i>	<i>1.000</i>	<i>0.035</i>	<i>0.628</i>			<i>0.496</i>			<i>0.158</i>
# CS-0610-0254-10-S2-G	6.10	25.4	1.02	17.55	43.84	5.69	15.037	302 Stainless Steel	Closed Ground Flush	3.76
	<i>0.240</i>	<i>1.000</i>	<i>0.040</i>	<i>0.691</i>			<i>0.592</i>			<i>0.148</i>
CS-0610-0381-10-S2-G	6.10	38.1	0.97	24.99	40.29	3.12	19.507	302 Stainless Steel	Closed Ground Flush	3.86
	<i>0.240</i>	<i>1.500</i>	<i>0.038</i>	<i>0.984</i>			<i>0.768</i>			<i>0.152</i>
# CS-0610-0508-10-S2-G	6.10	50.8	1.02	34.42	43.84	2.73	28.092	302 Stainless Steel	Closed Ground Flush	3.76
	<i>0.240</i>	<i>2.000</i>	<i>0.040</i>	<i>1.355</i>			<i>1.106</i>			<i>0.148</i>
# CS-0620-0170-06-S4	6.20	17.0	0.63	-	12.25	-	5.26	304 Stainless Steel		4.63
	<i>0.244</i>	<i>0.669</i>	<i>0.025</i>				<i>0.207</i>			<i>0.182</i>

Indicates item not stocked at time of printing - Please enquire for lead time

Page 34 of 71

E&OE Pricing and all details subject to change without notice - Copyright Miniature Bearings Australia Pty Ltd
MBA Size Listings are a guide to sizes only and must not be solely relied on for critical design information.

Springs - Compression - Standard - Stainless Steel

Part Number	Spring OD (D0) mm	Free Length (L0) mm	Wire Diameter (d) mm	Loaded Height (L1) mm	Load at L1 N	Rate (P/f) N/mm	Solid Height (Sh) mm	Material	End Type	Max Rod Dia. (A) mm
	<i>inches</i>	<i>inches</i>	<i>inches</i>	<i>inches</i>			<i>inches</i>			<i>inches</i>
# CS-0635-2540-05-S2	6.35	254.0	0.46	-	-	-	-	302 Stainless Steel	Open	5.11
	<i>0.250</i>	<i>10.000</i>	<i>0.018</i>							<i>0.201</i>
# CS-0635-2540-07-S2	6.35	254.0	0.66	-	-	-	-	302 Stainless Steel	Open	4.71
	<i>0.250</i>	<i>10.000</i>	<i>0.026</i>							<i>0.185</i>
# CS-0635-2540-08-S2	6.35	254.0	0.79	-	-	-	-	302 Stainless Steel	Open	4.45
	<i>0.250</i>	<i>10.000</i>	<i>0.031</i>							<i>0.175</i>
# CS-0635-2540-09-S2	6.35	254.0	0.89	-	-	-	-	302 Stainless Steel	Open	4.25
	<i>0.250</i>	<i>10.000</i>	<i>0.035</i>							<i>0.167</i>
# CS-0635-2540-11-S2	6.35	254.0	1.07	-	-	-	-	302 Stainless Steel	Open	3.89
	<i>0.250</i>	<i>10.000</i>	<i>0.042</i>							<i>0.153</i>
# CS-0635-2540-12-S2	6.35	254.0	1.19	-	-	-	-	302 Stainless Steel	Open	3.65
	<i>0.250</i>	<i>10.000</i>	<i>0.047</i>							<i>0.144</i>
CS-0680-0135-05-S2-C	6.80	13.5	0.50	4.30	5.47	0.61	3.30	302 Stainless Steel	Closed	5.46
	<i>0.268</i>	<i>0.531</i>	<i>0.020</i>	<i>0.169</i>			<i>0.130</i>			<i>0.215</i>
# CS-0680-0200-05-S2-C	6.80	20.0	0.50	6.00	5.47	0.38	4.30	302 Stainless Steel	Closed	5.46
	<i>0.268</i>	<i>0.787</i>	<i>0.020</i>	<i>0.236</i>			<i>0.169</i>			<i>0.215</i>

Indicates item not stocked at time of printing - Please enquire for lead time

Page 35 of 71

E&OE Pricing and all details subject to change without notice - Copyright Miniature Bearings Australia Pty Ltd

MBA Size Listings are a guide to sizes only and must not be solely relied on for critical design information.

Springs - Compression - Standard - Stainless Steel

Part Number	Spring OD (D0) mm	Free Length (L0) mm	Wire Diameter (d) mm	Loaded Height (L1) mm	Load at L1 N	Rate (P/f) N/mm	Solid Height (Sh) mm	Material	End Type	Max Rod Dia. (A) mm
	<i>inches</i>	<i>inches</i>	<i>inches</i>	<i>inches</i>			<i>inches</i>			<i>inches</i>
# CS-0680-0300-05-S2-C	6.80	30.0	0.50	8.70	5.47	0.25	5.80	302 Stainless Steel	Closed	5.46
	<i>0.268</i>	<i>1.181</i>	<i>0.020</i>	<i>0.343</i>			<i>0.228</i>			<i>0.215</i>
# CS-0680-0440-05-S2-C	6.80	44.0	0.50	12.20	5.47	0.17	7.80	302 Stainless Steel	Closed	5.46
	<i>0.268</i>	<i>1.732</i>	<i>0.020</i>	<i>0.480</i>			<i>0.307</i>			<i>0.215</i>
# CS-0680-0650-05-S2-C	6.80	65.0	0.50	17.40	5.47	0.12	10.80	302 Stainless Steel	Closed	5.46
	<i>0.268</i>	<i>2.559</i>	<i>0.020</i>	<i>0.685</i>			<i>0.425</i>			<i>0.215</i>
CS-0693-0115-06-S2-C	6.93	11.5	0.63	4.60	10.37	1.52	4.10	302 Stainless Steel	Closed	5.32
	<i>0.273</i>	<i>0.453</i>	<i>0.025</i>	<i>0.181</i>			<i>0.161</i>			<i>0.209</i>
CS-0693-0170-06-S2-C	6.93	17.0	0.63	6.20	10.37	0.97	5.40	302 Stainless Steel	Closed	5.32
	<i>0.273</i>	<i>0.669</i>	<i>0.025</i>	<i>0.244</i>			<i>0.213</i>			<i>0.209</i>
# CS-0693-0255-06-S2-C	6.93	25.5	0.63	8.90	10.37	0.63	7.30	302 Stainless Steel	Closed	5.32
	<i>0.273</i>	<i>1.004</i>	<i>0.025</i>	<i>0.350</i>			<i>0.287</i>			<i>0.209</i>
CS-0693-0365-06-S2-C	6.93	36.5	0.63	12.30	10.37	0.42	9.80	302 Stainless Steel	Closed	5.32
	<i>0.273</i>	<i>1.437</i>	<i>0.025</i>	<i>0.484</i>			<i>0.386</i>			<i>0.209</i>
CS-0693-0540-06-S2-C	6.93	54.0	0.63	17.70	10.37	0.28	13.50	302 Stainless Steel	Closed	5.32
	<i>0.273</i>	<i>2.126</i>	<i>0.025</i>	<i>0.697</i>			<i>0.531</i>			<i>0.209</i>

Indicates item not stocked at time of printing - Please enquire for lead time

Page 36 of 71

E&OE Pricing and all details subject to change without notice - Copyright Miniature Bearings Australia Pty Ltd
MBA Size Listings are a guide to sizes only and must not be solely relied on for critical design information.

Springs - Compression - Standard - Stainless Steel

Part Number	Spring OD (D0) mm	Free Length (L0) mm	Wire Diameter (d) mm	Loaded Height (L1) mm	Load at L1 N	Rate (P/f) N/mm	Solid Height (Sh) mm	Material	End Type	Max Rod Dia. (A) mm
	<i>inches</i>	<i>inches</i>	<i>inches</i>	<i>inches</i>			<i>inches</i>			<i>inches</i>
CS-0710-0105-08-S2-C	7.10	10.5	0.80	5.60	20.02	3.97	5.20	302 Stainless Steel	Closed	5.15
	<i>0.280</i>	<i>0.413</i>	<i>0.031</i>	<i>0.220</i>			<i>0.205</i>			<i>0.203</i>
# CS-0710-0155-08-S2-C	7.10	15.5	0.80	7.70	20.02	2.52	6.80	302 Stainless Steel	Closed	5.15
	<i>0.280</i>	<i>0.610</i>	<i>0.031</i>	<i>0.303</i>			<i>0.268</i>			<i>0.203</i>
CS-0710-0230-08-S2-C	7.10	23.0	0.80	10.90	20.02	1.63	9.20	302 Stainless Steel	Closed	5.15
	<i>0.280</i>	<i>0.906</i>	<i>0.031</i>	<i>0.429</i>			<i>0.362</i>			<i>0.203</i>
# CS-0710-0330-08-S2-C	7.10	33.0	0.80	15.10	20.02	1.11	12.40	302 Stainless Steel	Closed	5.15
	<i>0.280</i>	<i>1.299</i>	<i>0.031</i>	<i>0.594</i>			<i>0.488</i>			<i>0.203</i>
# CS-0710-0480-08-S2-C	7.10	48.0	0.80	21.50	20.02	0.75	17.20	302 Stainless Steel	Closed	5.15
	<i>0.280</i>	<i>1.890</i>	<i>0.031</i>	<i>0.846</i>			<i>0.677</i>			<i>0.203</i>
# CS-0730-0100-10-S2-C	7.30	10.0	1.00	7.30	28.43	9.64	5.50	302 Stainless Steel	Closed	4.94
	<i>0.287</i>	<i>0.394</i>	<i>0.039</i>	<i>0.287</i>			<i>0.217</i>			<i>0.194</i>
CS-0730-0145-10-S2-C	7.30	14.5	1.00	10.10	28.43	6.16	7.50	302 Stainless Steel	Closed	4.94
	<i>0.287</i>	<i>0.571</i>	<i>0.039</i>	<i>0.398</i>			<i>0.295</i>			<i>0.194</i>
CS-0730-0215-10-S2-C	7.30	21.5	1.00	14.30	28.43	3.99	14.30	302 Stainless Steel	Closed	4.94
	<i>0.287</i>	<i>0.846</i>	<i>0.039</i>	<i>0.563</i>			<i>0.563</i>			<i>0.194</i>

Indicates item not stocked at time of printing - Please enquire for lead time

Page 37 of 71

E&OE Pricing and all details subject to change without notice - Copyright Miniature Bearings Australia Pty Ltd
MBA Size Listings are a guide to sizes only and must not be solely relied on for critical design information.

Springs - Compression - Standard - Stainless Steel

Part Number	Spring OD (D0) mm	Free Length (L0) mm	Wire Diameter (d) mm	Loaded Height (L1) mm	Load at L1 N	Rate (P/f) N/mm	Solid Height (Sh) mm	Material	End Type	Max Rod Dia. (A) mm
	<i>inches</i>	<i>inches</i>	<i>inches</i>	<i>inches</i>			<i>inches</i>			<i>inches</i>
# CS-0730-0305-10-S2-C	7.30	30.5	1.00	19.90	28.43	2.72	14.50	302 Stainless Steel	Closed	4.94
	<i>0.287</i>	<i>1.201</i>	<i>0.039</i>	<i>0.783</i>			<i>0.571</i>			<i>0.194</i>
# CS-0730-0435-10-S2-C	7.30	43.5	1.00	28.30	28.43	1.83	20.50	302 Stainless Steel	Closed	4.94
	<i>0.287</i>	<i>1.713</i>	<i>0.039</i>	<i>1.114</i>			<i>0.807</i>			<i>0.194</i>
# CS-0750-0110-08-S2-G	7.50	11.0	0.80	-	27.82	3.96	3.960	302 Stainless Steel	Closed Ground Flush	5.53
	<i>0.295</i>	<i>0.433</i>	<i>0.031</i>				<i>0.156</i>			<i>0.218</i>
# CS-0750-0110-10-S2-G	7.50	11.0	0.95	-	44.98	7.55	5.050	302 Stainless Steel	Closed Ground Flush	5.23
	<i>0.295</i>	<i>0.433</i>	<i>0.037</i>				<i>0.199</i>			<i>0.206</i>
CS-0750-0140-08-S2-G	7.50	14.0	0.80	-	27.82	3.00	4.720	302 Stainless Steel	Closed Ground Flush	5.53
	<i>0.295</i>	<i>0.551</i>	<i>0.031</i>				<i>0.186</i>			<i>0.218</i>
# CS-0750-0140-10-S2-G	7.50	14.0	0.95	-	44.98	5.67	6.070	302 Stainless Steel	Closed Ground Flush	5.23
	<i>0.295</i>	<i>0.551</i>	<i>0.037</i>				<i>0.239</i>			<i>0.206</i>
CS-0750-0170-08-S2-G	7.50	17.0	0.80	-	27.82	2.42	5.490	302 Stainless Steel	Closed Ground Flush	5.53
	<i>0.295</i>	<i>0.669</i>	<i>0.031</i>				<i>0.216</i>			<i>0.218</i>
# CS-0750-0170-10-S2-G	7.50	17.0	0.95	-	44.98	4.55	7.110	302 Stainless Steel	Closed Ground Flush	5.23
	<i>0.295</i>	<i>0.669</i>	<i>0.037</i>				<i>0.280</i>			<i>0.206</i>

Indicates item not stocked at time of printing - Please enquire for lead time

Page 38 of 71

E&OE Pricing and all details subject to change without notice - Copyright Miniature Bearings Australia Pty Ltd
MBA Size Listings are a guide to sizes only and must not be solely relied on for critical design information.

Springs - Compression - Standard - Stainless Steel

Part Number	Spring OD (D0) mm	Free Length (L0) mm	Wire Diameter (d) mm	Loaded Height (L1) mm	Load at L1 N	Rate (P/f) N/mm	Solid Height (Sh) mm	Material	End Type	Max Rod Dia. (A) mm
	<i>inches</i>	<i>inches</i>	<i>inches</i>	<i>inches</i>			<i>inches</i>			<i>inches</i>
# CS-0750-0210-08-S2-G	7.50	21.0	0.80	-	27.82	1.92	6.500	302 Stainless Steel	Closed Ground Flush	5.53
	<i>0.295</i>	<i>0.827</i>	<i>0.031</i>				<i>0.256</i>			<i>0.218</i>
# CS-0750-0210-10-S2-G	7.50	21.0	0.95	-	44.98	3.60	8.510	302 Stainless Steel	Closed Ground Flush	5.23
	<i>0.295</i>	<i>0.827</i>	<i>0.037</i>				<i>0.335</i>			<i>0.206</i>
# CS-0750-0250-08-S2-G	7.50	25.0	0.80	-	27.82	1.59	7.520	302 Stainless Steel	Closed Ground Flush	5.53
	<i>0.295</i>	<i>0.984</i>	<i>0.031</i>				<i>0.296</i>			<i>0.218</i>
CS-0750-0250-10-S2-G	7.50	25.0	0.95	-	44.98	2.97	9.880	302 Stainless Steel	Closed Ground Flush	5.23
	<i>0.295</i>	<i>0.984</i>	<i>0.037</i>				<i>0.389</i>			<i>0.206</i>
# CS-0755-0120-13-S2-C	7.55	12.0	1.25	7.20	111.10	24.18	6.90	302 Stainless Steel	Closed	4.67
	<i>0.297</i>	<i>0.472</i>	<i>0.049</i>	<i>0.283</i>			<i>0.272</i>			<i>0.184</i>
# CS-0755-0170-13-S2-C	7.55	17.0	1.25	9.80	111.10	15.03	9.40	302 Stainless Steel	Closed	4.67
	<i>0.297</i>	<i>0.669</i>	<i>0.049</i>	<i>0.386</i>			<i>0.370</i>			<i>0.184</i>
CS-0755-0250-13-S2-C	7.55	25.0	1.25	13.80	111.10	9.80	13.10	302 Stainless Steel	Closed	4.67
	<i>0.297</i>	<i>0.984</i>	<i>0.049</i>	<i>0.543</i>			<i>0.516</i>			<i>0.184</i>
# CS-0755-0355-13-S2-C	7.55	35.5	1.25	19.20	111.10	6.74	18.10	302 Stainless Steel	Closed	4.67
	<i>0.297</i>	<i>1.398</i>	<i>0.049</i>	<i>0.756</i>			<i>0.713</i>			<i>0.184</i>

Indicates item not stocked at time of printing - Please enquire for lead time

Page 39 of 71

E&OE Pricing and all details subject to change without notice - Copyright Miniature Bearings Australia Pty Ltd

MBA Size Listings are a guide to sizes only and must not be solely relied on for critical design information.

Springs - Compression - Standard - Stainless Steel

Part Number	Spring OD (D0) mm	Free Length (L0) mm	Wire Diameter (d) mm	Loaded Height (L1) mm	Load at L1 N	Rate (P/f) N/mm	Solid Height (Sh) mm	Material	End Type	Max Rod Dia. (A) mm
	<i>inches</i>	<i>inches</i>	<i>inches</i>	<i>inches</i>			<i>inches</i>			<i>inches</i>
# CS-0755-0515-13-S2-C	7.55	51.5	1.25	27.10	111.10	4.49	25.60	302 Stainless Steel	Closed	4.67
	<i>0.297</i>	<i>2.028</i>	<i>0.049</i>	<i>1.067</i>			<i>1.008</i>			<i>0.184</i>
# CS-0762-0112-11-S2-G	7.62	11.2	1.07	7.87	43.05	13.23	5.842	302 Stainless Steel	Closed Ground Flush	5.10
	<i>0.300</i>	<i>0.441</i>	<i>0.042</i>	<i>0.310</i>			<i>0.230</i>			<i>0.201</i>
# CS-0762-0158-08-S2-G	7.62	15.8	0.81	7.92	20.39	2.66	5.664	302 Stainless Steel	Closed Ground Flush	5.62
	<i>0.300</i>	<i>0.622</i>	<i>0.032</i>	<i>0.312</i>			<i>0.223</i>			<i>0.221</i>
# CS-0787-0286-04-S2-C	7.87	28.6	0.41	-	-	-	-	303 Stainless Steel	Closed	6.66
	<i>0.310</i>	<i>1.126</i>	<i>0.016</i>							<i>0.262</i>
# CS-0794-2540-06-S2	7.94	254.0	0.56	-	-	-	-	302 Stainless Steel	Open	6.42
	<i>0.313</i>	<i>10.000</i>	<i>0.022</i>							<i>0.253</i>
# CS-0794-2540-08-S2	7.94	254.0	0.79	-	-	-	-	302 Stainless Steel	Open	5.96
	<i>0.313</i>	<i>10.000</i>	<i>0.031</i>							<i>0.235</i>
CS-0794-2540-10-S2	7.94	254.0	0.97	-	-	-	-	302 Stainless Steel	Open	5.60
	<i>0.313</i>	<i>10.000</i>	<i>0.038</i>							<i>0.220</i>
# CS-0794-2540-11-S2	7.94	254.0	1.07	-	-	-	-	302 Stainless Steel	Open	5.40
	<i>0.313</i>	<i>10.000</i>	<i>0.042</i>							<i>0.213</i>

Indicates item not stocked at time of printing - Please enquire for lead time

Page 40 of 71

E&OE Pricing and all details subject to change without notice - Copyright Miniature Bearings Australia Pty Ltd

MBA Size Listings are a guide to sizes only and must not be solely relied on for critical design information.

Springs - Compression - Standard - Stainless Steel

Part Number	Spring OD (D0) mm	Free Length (L0) mm	Wire Diameter (d) mm	Loaded Height (L1) mm	Load at L1 N	Rate (P/f) N/mm	Solid Height (Sh) mm	Material	End Type	Max Rod Dia. (A) mm
	<i>inches</i>	<i>inches</i>	<i>inches</i>	<i>inches</i>			<i>inches</i>			<i>inches</i>
# CS-0794-2540-12-S2	7.94	254.0	1.19	-	-	-	-	302 Stainless Steel	Open	5.16
	<i>0.313</i>	<i>10.000</i>	<i>0.047</i>							<i>0.203</i>
# CS-0794-2540-14-S2	7.94	254.0	1.40	-	-	-	-	302 Stainless Steel	Open	4.74
	<i>0.313</i>	<i>10.000</i>	<i>0.055</i>							<i>0.187</i>
CS-0863-0160-06-S2-C	8.63	16.0	0.63	5.10	8.33	0.74	4.10	302 Stainless Steel	Closed	6.94
	<i>0.340</i>	<i>0.630</i>	<i>0.025</i>	<i>0.201</i>			<i>0.161</i>			<i>0.273</i>
CS-0863-0245-06-S2-C	8.63	24.5	0.63	7.10	8.33	0.47	5.40	302 Stainless Steel	Closed	6.94
	<i>0.340</i>	<i>0.965</i>	<i>0.025</i>	<i>0.280</i>			<i>0.213</i>			<i>0.273</i>
CS-0863-0370-06-S2-C	8.63	37.0	0.63	10.20	8.33	0.31	7.30	302 Stainless Steel	Closed	6.94
	<i>0.340</i>	<i>1.457</i>	<i>0.025</i>	<i>0.402</i>			<i>0.287</i>			<i>0.273</i>
CS-0863-0550-06-S2-C	8.63	55.0	0.63	14.30	8.33	0.21	9.80	302 Stainless Steel	Closed	6.94
	<i>0.340</i>	<i>2.165</i>	<i>0.025</i>	<i>0.563</i>			<i>0.386</i>			<i>0.273</i>
# CS-0863-0805-06-S2-C	8.63	80.5	0.63	20.60	8.33	0.14	13.50	302 Stainless Steel	Closed	6.94
	<i>0.340</i>	<i>3.169</i>	<i>0.025</i>	<i>0.811</i>			<i>0.531</i>			<i>0.273</i>
# CS-0880-0145-08-S2-C	8.80	14.5	0.80	6.10	16.26	1.93	5.20	302 Stainless Steel	Closed	6.76
	<i>0.346</i>	<i>0.571</i>	<i>0.031</i>	<i>0.240</i>			<i>0.205</i>			<i>0.266</i>

Indicates item not stocked at time of printing - Please enquire for lead time

Page 41 of 71

E&OE Pricing and all details subject to change without notice - Copyright Miniature Bearings Australia Pty Ltd
MBA Size Listings are a guide to sizes only and must not be solely relied on for critical design information.

Springs - Compression - Standard - Stainless Steel

Part Number	Spring OD (D0) mm	Free Length (L0) mm	Wire Diameter (d) mm	Loaded Height (L1) mm	Load at L1 N	Rate (P/f) N/mm	Solid Height (Sh) mm	Material	End Type	Max Rod Dia. (A) mm
	<i>inches</i>	<i>inches</i>	<i>inches</i>	<i>inches</i>			<i>inches</i>			<i>inches</i>
CS-0880-0215-08-S2-C	8.80	21.5	0.80	8.40	16.26	1.23	6.80	302 Stainless Steel	Closed	6.76
	<i>0.346</i>	<i>0.846</i>	<i>0.031</i>	<i>0.331</i>			<i>0.268</i>			<i>0.266</i>
CS-0880-0320-08-S2-C	8.80	32.0	0.80	12.00	16.26	0.80	9.20	302 Stainless Steel	Closed	6.76
	<i>0.346</i>	<i>1.260</i>	<i>0.031</i>	<i>0.472</i>			<i>0.362</i>			<i>0.266</i>
CS-0880-0470-08-S2-C	8.80	47.0	0.80	16.70	16.26	0.54	12.40	302 Stainless Steel	Closed	6.76
	<i>0.346</i>	<i>1.850</i>	<i>0.031</i>	<i>0.657</i>			<i>0.488</i>			<i>0.266</i>
CS-0880-0680-08-S2-C	8.80	68.0	0.80	23.80	16.26	0.37	17.20	302 Stainless Steel	Closed	6.76
	<i>0.346</i>	<i>2.677</i>	<i>0.031</i>	<i>0.937</i>			<i>0.677</i>			<i>0.266</i>
CS-0900-0130-10-S2-C	9.00	13.0	1.00	7.30	27.61	4.73	5.50	302 Stainless Steel	Closed	6.55
	<i>0.354</i>	<i>0.512</i>	<i>0.039</i>	<i>0.287</i>			<i>0.217</i>			<i>0.258</i>
# CS-0900-0170-11-S2-G	9.00	17.0	1.10	-	58.81	5.8	6.990	302 Stainless Steel	Closed Ground Flush	6.35
	<i>0.354</i>	<i>0.669</i>	<i>0.043</i>				<i>0.275</i>			<i>0.250</i>
# CS-0900-0190-10-S2-C	9.00	19.0	1.00	10.10	27.61	3.01	7.50	302 Stainless Steel	Closed	6.55
	<i>0.354</i>	<i>0.748</i>	<i>0.039</i>	<i>0.398</i>			<i>0.295</i>			<i>0.258</i>
# CS-0900-0210-11-S2-G	9.00	21.0	1.10	-	58.81	4.62	8.280	302 Stainless Steel	Closed Ground Flush	6.35
	<i>0.354</i>	<i>0.827</i>	<i>0.043</i>				<i>0.326</i>			<i>0.250</i>

Indicates item not stocked at time of printing - Please enquire for lead time

Page 42 of 71

E&OE Pricing and all details subject to change without notice - Copyright Miniature Bearings Australia Pty Ltd
MBA Size Listings are a guide to sizes only and must not be solely relied on for critical design information.

Springs - Compression - Standard - Stainless Steel

Part Number	Spring OD (D0) mm	Free Length (L0) mm	Wire Diameter (d) mm	Loaded Height (L1) mm	Load at L1 N	Rate (P/f) N/mm	Solid Height (Sh) mm	Material	End Type	Max Rod Dia. (A) mm
	<i>inches</i>	<i>inches</i>	<i>inches</i>	<i>inches</i>			<i>inches</i>			<i>inches</i>
# CS-0900-0250-11-S2-G	9.00	25.0	1.10	-	58.81	3.82	9.580	302 Stainless Steel	Closed Ground Flush	6.35
	<i>0.354</i>	<i>0.984</i>	<i>0.043</i>				<i>0.377</i>			<i>0.250</i>
# CS-0900-0285-10-S2-C	9.00	28.5	1.00	14.30	27.61	1.94	10.50	302 Stainless Steel	Closed	6.55
	<i>0.354</i>	<i>1.122</i>	<i>0.039</i>	<i>0.563</i>			<i>0.413</i>			<i>0.258</i>
CS-0900-0405-10-S2-C	9.00	40.5	1.00	19.90	27.61	1.32	14.50	302 Stainless Steel	Closed	6.55
	<i>0.354</i>	<i>1.594</i>	<i>0.039</i>	<i>0.783</i>			<i>0.571</i>			<i>0.258</i>
CS-0900-0590-10-S2-C	9.00	59.0	1.00	28.30	27.61	0.90	20.50	302 Stainless Steel	Closed	6.55
	<i>0.354</i>	<i>2.323</i>	<i>0.039</i>	<i>1.114</i>			<i>0.807</i>			<i>0.258</i>
# CS-0914-0224-11-S2-G	9.14	22.4	1.07	12.27	36.44	3.68	8.788	302 Stainless Steel	Closed Ground Flush	6.54
	<i>0.360</i>	<i>0.882</i>	<i>0.042</i>	<i>0.483</i>			<i>0.346</i>			<i>0.257</i>
# CS-0925-0150-13-S2-C	9.25	15.0	1.25	7.40	87.41	11.93	6.90	302 Stainless Steel	Closed	6.29
	<i>0.364</i>	<i>0.591</i>	<i>0.049</i>	<i>0.291</i>			<i>0.272</i>			<i>0.248</i>
# CS-0925-0220-13-S2-C	9.25	22.0	1.25	10.50	87.41	7.43	9.40	302 Stainless Steel	Closed	6.29
	<i>0.364</i>	<i>0.866</i>	<i>0.049</i>	<i>0.413</i>			<i>0.370</i>			<i>0.248</i>
# CS-0925-0330-13-S2-C	9.25	33.0	1.25	14.90	87.41	4.86	13.10	302 Stainless Steel	Closed	6.29
	<i>0.364</i>	<i>1.299</i>	<i>0.049</i>	<i>0.587</i>			<i>0.516</i>			<i>0.248</i>

Indicates item not stocked at time of printing - Please enquire for lead time

Page 43 of 71

E&OE Pricing and all details subject to change without notice - Copyright Miniature Bearings Australia Pty Ltd
MBA Size Listings are a guide to sizes only and must not be solely relied on for critical design information.

Springs - Compression - Standard - Stainless Steel

Part Number	Spring OD (D0) mm	Free Length (L0) mm	Wire Diameter (d) mm	Loaded Height (L1) mm	Load at L1 N	Rate (P/f) N/mm	Solid Height (Sh) mm	Material	End Type	Max Rod Dia. (A) mm
	<i>inches</i>	<i>inches</i>	<i>inches</i>	<i>inches</i>			<i>inches</i>			<i>inches</i>
CS-0925-0475-13-S2-C	9.25	47.5	1.25	21.00	87.41	3.30	18.10	302 Stainless Steel	Closed	6.29
	<i>0.364</i>	<i>1.870</i>	<i>0.049</i>	<i>0.827</i>			<i>0.713</i>			<i>0.248</i>
CS-0925-0690-13-S2-C	9.25	69.0	1.25	30.00	87.41	2.24	25.60	302 Stainless Steel	Closed	6.29
	<i>0.364</i>	<i>2.717</i>	<i>0.049</i>	<i>1.181</i>			<i>1.008</i>			<i>0.248</i>
# CS-0953-2540-11-S2	9.53	254.0	1.09	-	-	-	-	302 Stainless Steel	Open	6.87
	<i>0.375</i>	<i>10.000</i>	<i>0.043</i>							<i>0.270</i>
# CS-0953-2540-14-S2	9.53	254.0	1.40	-	-	-	-	302 Stainless Steel	Open	6.25
	<i>0.375</i>	<i>10.000</i>	<i>0.055</i>							<i>0.246</i>
# CS-0953-2540-16-S2	9.53	254.0	1.60	-	-	-	-	302 Stainless Steel	Open	5.85
	<i>0.375</i>	<i>10.000</i>	<i>0.063</i>							<i>0.230</i>
# CS-0953-2540-19-S2	9.53	254.0	1.85	-	-	-	-	302 Stainless Steel	Open	5.35
	<i>0.375</i>	<i>10.000</i>	<i>0.073</i>							<i>0.211</i>
CS-0960-0145-16-S2-C	9.60	14.5	1.60	9.00	176.45	31.05	8.80	302 Stainless Steel	Closed	5.92
	<i>0.378</i>	<i>0.571</i>	<i>0.063</i>	<i>0.354</i>			<i>0.346</i>			<i>0.233</i>
# CS-0960-0215-16-S2-C	9.60	21.5	1.60	12.60	176.45	19.77	12.00	302 Stainless Steel	Closed	5.92
	<i>0.378</i>	<i>0.846</i>	<i>0.063</i>	<i>0.496</i>			<i>0.472</i>			<i>0.233</i>

Indicates item not stocked at time of printing - Please enquire for lead time

Page 44 of 71

E&OE Pricing and all details subject to change without notice - Copyright Miniature Bearings Australia Pty Ltd

MBA Size Listings are a guide to sizes only and must not be solely relied on for critical design information.

Springs - Compression - Standard - Stainless Steel

Part Number	Spring OD (D0) mm	Free Length (L0) mm	Wire Diameter (d) mm	Loaded Height (L1) mm	Load at L1 N	Rate (P/f) N/mm	Solid Height (Sh) mm	Material	End Type	Max Rod Dia. (A) mm
	<i>inches</i>	<i>inches</i>	<i>inches</i>	<i>inches</i>			<i>inches</i>			<i>inches</i>
CS-0960-0315-16-S2-C	9.60	31.5	1.60	17.90	176.45	12.83	16.80	302 Stainless Steel	Closed	5.92
	<i>0.378</i>	<i>1.240</i>	<i>0.063</i>	<i>0.705</i>			<i>0.661</i>			<i>0.233</i>
# CS-0960-0450-16-S2-C	9.60	45.0	1.60	24.80	176.45	8.66	23.20	302 Stainless Steel	Closed	5.92
	<i>0.378</i>	<i>1.772</i>	<i>0.063</i>	<i>0.976</i>			<i>0.913</i>			<i>0.233</i>
# CS-0960-0655-16-S2-C	9.60	65.5	1.60	35.20	176.45	5.87	32.80	302 Stainless Steel	Closed	5.92
	<i>0.378</i>	<i>2.579</i>	<i>0.063</i>	<i>1.386</i>			<i>1.291</i>			<i>0.233</i>
# CS-1067-0254-11-S2-G	10.67	25.4	1.14	12.07	38.28	2.92	8.941	302 Stainless Steel	Closed Ground Flush	7.86
	<i>0.420</i>	<i>1.000</i>	<i>0.045</i>	<i>0.475</i>			<i>0.352</i>			<i>0.309</i>
CS-1080-0200-08-S2-C	10.80	20.0	0.80	6.90	12.83	1.00	5.20	302 Stainless Steel	Closed	8.66
	<i>0.425</i>	<i>0.787</i>	<i>0.031</i>	<i>0.272</i>			<i>0.205</i>			<i>0.341</i>
# CS-1080-0300-08-S2-C	10.80	30.0	0.80	9.80	12.83	0.63	6.80	302 Stainless Steel	Closed	8.66
	<i>0.425</i>	<i>1.181</i>	<i>0.031</i>	<i>0.386</i>			<i>0.268</i>			<i>0.341</i>
CS-1080-0455-08-S2-C	10.80	45.5	0.80	14.30	12.83	0.41	9.20	302 Stainless Steel	Closed	8.66
	<i>0.425</i>	<i>1.791</i>	<i>0.031</i>	<i>0.563</i>			<i>0.362</i>			<i>0.341</i>
CS-1080-0660-08-S2-C	10.80	66.0	0.80	19.90	12.83	0.27	12.40	302 Stainless Steel	Closed	8.66
	<i>0.425</i>	<i>2.598</i>	<i>0.031</i>	<i>0.783</i>			<i>0.488</i>			<i>0.341</i>

Indicates item not stocked at time of printing - Please enquire for lead time

Page 45 of 71

E&OE Pricing and all details subject to change without notice - Copyright Miniature Bearings Australia Pty Ltd
MBA Size Listings are a guide to sizes only and must not be solely relied on for critical design information.

Springs - Compression - Standard - Stainless Steel

Part Number	Spring OD (D0) mm	Free Length (L0) mm	Wire Diameter (d) mm	Loaded Height (L1) mm	Load at L1 N	Rate (P/f) N/mm	Solid Height (Sh) mm	Material	End Type	Max Rod Dia. (A) mm
	<i>inches</i>	<i>inches</i>	<i>inches</i>	<i>inches</i>			<i>inches</i>			<i>inches</i>
CS-1080-0965-08-S2-C	10.80	96.5	0.80	28.50	12.83	0.19	17.20	302 Stainless Steel	Closed	8.66
	<i>0.425</i>	<i>3.799</i>	<i>0.031</i>	<i>1.122</i>			<i>0.677</i>			<i>0.341</i>
# CS-1100-0162-22-S2-C	11.00	16.2	2.20	12.90	281.01	83.32	12.10	302 Stainless Steel	Closed	6.05
	<i>0.433</i>	<i>0.638</i>	<i>0.087</i>	<i>0.508</i>			<i>0.476</i>			<i>0.238</i>
CS-1100-0175-10-S2-C	11.00	17.5	1.00	8.00	22.79	2.42	5.50	302 Stainless Steel	Closed	8.45
	<i>0.433</i>	<i>0.689</i>	<i>0.039</i>	<i>0.315</i>			<i>0.217</i>			<i>0.333</i>
CS-1100-0230-22-S2-C	11.00	23.0	2.20	17.70	281.01	52.94	16.50	302 Stainless Steel	Closed	6.05
	<i>0.433</i>	<i>0.906</i>	<i>0.087</i>	<i>0.697</i>			<i>0.650</i>			<i>0.238</i>
# CS-1100-0260-10-S2-C	11.00	26.0	1.00	11.20	22.79	1.54	7.50	302 Stainless Steel	Closed	8.45
	<i>0.433</i>	<i>1.024</i>	<i>0.039</i>	<i>0.441</i>			<i>0.295</i>			<i>0.333</i>
# CS-1100-0365-22-S2-C	11.00	36.5	2.20	27.40	281.01	30.71	25.30	302 Stainless Steel	Closed	6.05
	<i>0.433</i>	<i>1.437</i>	<i>0.087</i>	<i>1.079</i>			<i>0.996</i>			<i>0.238</i>
CS-1100-0390-10-S2-C	11.00	39.0	1.00	16.00	22.79	1.00	10.50	302 Stainless Steel	Closed	8.45
	<i>0.433</i>	<i>1.535</i>	<i>0.039</i>	<i>0.630</i>			<i>0.413</i>			<i>0.333</i>
CS-1100-0560-10-S2-C	11.00	56.0	1.00	22.40	22.79	0.67	14.50	302 Stainless Steel	Closed	8.45
	<i>0.433</i>	<i>2.205</i>	<i>0.039</i>	<i>0.882</i>			<i>0.571</i>			<i>0.333</i>

Indicates item not stocked at time of printing - Please enquire for lead time

Page 46 of 71

E&OE Pricing and all details subject to change without notice - Copyright Miniature Bearings Australia Pty Ltd
MBA Size Listings are a guide to sizes only and must not be solely relied on for critical design information.

Springs - Compression - Standard - Stainless Steel

Part Number	Spring OD (D0) mm	Free Length (L0) mm	Wire Diameter (d) mm	Loaded Height (L1) mm	Load at L1 N	Rate (P/f) N/mm	Solid Height (Sh) mm	Material	End Type	Max Rod Dia. (A) mm
	<i>inches</i>	<i>inches</i>	<i>inches</i>	<i>inches</i>			<i>inches</i>			<i>inches</i>
# CS-1100-0568-22-S2-C	11.00	56.8	2.20	41.90	281.01	18.79	38.50	302 Stainless Steel	Closed	6.05
	<i>0.433</i>	<i>2.236</i>	<i>0.087</i>	<i>1.650</i>			<i>1.516</i>			<i>0.238</i>
CS-1100-0815-10-S2-C	11.00	81.5	1.00	32.00	22.79	0.46	20.50	302 Stainless Steel	Closed	8.45
	<i>0.433</i>	<i>3.209</i>	<i>0.039</i>	<i>1.260</i>			<i>0.807</i>			<i>0.333</i>
# CS-1111-2540-16-S2	11.11	254.0	1.60	-	-	-	-	302 Stainless Steel	Open	7.35
	<i>0.437</i>	<i>10.000</i>	<i>0.063</i>							<i>0.289</i>
CS-1125-0200-13-S2-C	11.25	20.0	1.25	7.70	71.15	5.91	6.90	302 Stainless Steel	Closed	8.19
	<i>0.443</i>	<i>0.787</i>	<i>0.049</i>	<i>0.303</i>			<i>0.272</i>			<i>0.322</i>
# CS-1125-0295-13-S2-C	11.25	29.5	1.25	10.80	71.15	3.76	9.40	302 Stainless Steel	Closed	8.19
	<i>0.443</i>	<i>1.161</i>	<i>0.049</i>	<i>0.425</i>			<i>0.370</i>			<i>0.322</i>
# CS-1125-0445-13-S2-C	11.25	44.5	1.25	15.20	71.15	2.43	13.10	302 Stainless Steel	Closed	8.19
	<i>0.443</i>	<i>1.752</i>	<i>0.049</i>	<i>0.598</i>			<i>0.516</i>			<i>0.322</i>
# CS-1125-0640-13-S2-C	11.25	64.0	1.25	21.10	71.15	1.66	18.10	302 Stainless Steel	Closed	8.19
	<i>0.443</i>	<i>2.520</i>	<i>0.049</i>	<i>0.831</i>			<i>0.713</i>			<i>0.322</i>
CS-1125-0935-13-S2-C	11.25	93.5	1.25	30.00	71.15	1.12	25.60	302 Stainless Steel	Closed	8.19
	<i>0.443</i>	<i>3.681</i>	<i>0.049</i>	<i>1.181</i>			<i>1.008</i>			<i>0.322</i>

Indicates item not stocked at time of printing - Please enquire for lead time

Page 47 of 71

E&OE Pricing and all details subject to change without notice - Copyright Miniature Bearings Australia Pty Ltd
MBA Size Listings are a guide to sizes only and must not be solely relied on for critical design information.

Springs - Compression - Standard - Stainless Steel

Part Number	Spring OD (D0) mm	Free Length (L0) mm	Wire Diameter (d) mm	Loaded Height (L1) mm	Load at L1 N	Rate (P/f) N/mm	Solid Height (Sh) mm	Material	End Type	Max Rod Dia. (A) mm
	<i>inches</i>	<i>inches</i>	<i>inches</i>	<i>inches</i>			<i>inches</i>			<i>inches</i>
CS-1160-0185-16-S2-C	11.60	18.5	1.60	9.40	141.33	15.93	8.80	302 Stainless Steel	Closed	7.82
	<i>0.457</i>	<i>0.728</i>	<i>0.063</i>	<i>0.370</i>			<i>0.346</i>			<i>0.308</i>
CS-1160-0270-16-S2-C	11.60	27.0	1.60	13.20	141.33	10.13	12.00	302 Stainless Steel	Closed	7.82
	<i>0.457</i>	<i>1.063</i>	<i>0.063</i>	<i>0.520</i>			<i>0.472</i>			<i>0.308</i>
# CS-1160-0405-16-S2-C	11.60	40.5	1.60	18.90	141.33	6.56	16.80	302 Stainless Steel	Closed	7.82
	<i>0.457</i>	<i>1.594</i>	<i>0.063</i>	<i>0.744</i>			<i>0.661</i>			<i>0.308</i>
# CS-1160-0585-16-S2-C	11.60	58.5	1.60	26.50	141.33	4.44	23.20	302 Stainless Steel	Closed	7.82
	<i>0.457</i>	<i>2.303</i>	<i>0.063</i>	<i>1.043</i>			<i>0.913</i>			<i>0.308</i>
# CS-1160-0850-16-S2-C	11.60	85.0	1.60	37.90	141.33	3.01	32.80	302 Stainless Steel	Closed	7.82
	<i>0.457</i>	<i>3.346</i>	<i>0.063</i>	<i>1.492</i>			<i>1.291</i>			<i>0.308</i>
# CS-1200-0180-20-S2-C	12.00	18.0	2.00	11.20	264.68	38.80	11.00	302 Stainless Steel	Closed	7.40
	<i>0.472</i>	<i>0.709</i>	<i>0.079</i>	<i>0.441</i>			<i>0.433</i>			<i>0.291</i>
# CS-1200-0250-14-S2-G	12.00	25.0	1.40	-	73.55	5.06	10.490	302 Stainless Steel	Closed Ground Flush	8.60
	<i>0.472</i>	<i>0.984</i>	<i>0.055</i>				<i>0.413</i>			<i>0.339</i>
# CS-1200-0265-20-S2-C	12.00	26.5	2.00	15.60	264.68	24.75	15.00	302 Stainless Steel	Closed	7.40
	<i>0.472</i>	<i>1.043</i>	<i>0.079</i>	<i>0.614</i>			<i>0.591</i>			<i>0.291</i>

Indicates item not stocked at time of printing - Please enquire for lead time

Page 48 of 71

E&OE Pricing and all details subject to change without notice - Copyright Miniature Bearings Australia Pty Ltd
MBA Size Listings are a guide to sizes only and must not be solely relied on for critical design information.

Springs - Compression - Standard - Stainless Steel

Part Number	Spring OD (D0) mm	Free Length (L0) mm	Wire Diameter (d) mm	Loaded Height (L1) mm	Load at L1 N	Rate (P/f) N/mm	Solid Height (Sh) mm	Material	End Type	Max Rod Dia. (A) mm
	<i>inches</i>	<i>inches</i>	<i>inches</i>	<i>inches</i>			<i>inches</i>			<i>inches</i>
# CS-1200-0385-20-S2-C	12.00	38.5	2.00	22.00	264.68	16.01	21.00	302 Stainless Steel	Closed	7.40
	<i>0.472</i>	<i>1.516</i>	<i>0.079</i>	<i>0.866</i>			<i>0.827</i>			<i>0.291</i>
# CS-1200-0550-20-S2-C	12.00	55.0	2.00	30.60	264.68	10.86	29.00	302 Stainless Steel	Closed	7.40
	<i>0.472</i>	<i>2.165</i>	<i>0.079</i>	<i>1.205</i>			<i>1.142</i>			<i>0.291</i>
CS-1200-0795-20-S2-C	12.00	79.5	2.00	43.40	264.68	7.34	41.00	302 Stainless Steel	Closed	7.40
	<i>0.472</i>	<i>3.130</i>	<i>0.079</i>	<i>1.709</i>			<i>1.614</i>			<i>0.291</i>
CS-1219-0318-14-S2-G	12.19	31.8	1.40	16.51	59.02	3.94	12.040	302 Stainless Steel	Closed Ground Flush	8.78
	<i>0.480</i>	<i>1.252</i>	<i>0.055</i>	<i>0.650</i>			<i>0.474</i>			<i>0.346</i>
# CS-1270-2540-16-S2	12.70	254.0	1.60	-	-	-	-	302 Stainless Steel	Open	8.87
	<i>0.500</i>	<i>10.000</i>	<i>0.063</i>							<i>0.349</i>
# CS-1270-2540-19-S2	12.70	254.0	1.91	-	-	-	-	302 Stainless Steel	Open	8.25
	<i>0.500</i>	<i>10.000</i>	<i>0.075</i>							<i>0.325</i>
# CS-1270-2540-22-S2	12.70	254.0	2.18	-	-	-	-	302 Stainless Steel	Open	7.71
	<i>0.500</i>	<i>10.000</i>	<i>0.086</i>							<i>0.304</i>
# CS-1270-2540-24-S2	12.70	254.0	2.36	-	-	-	-	302 Stainless Steel	Open	7.35
	<i>0.500</i>	<i>10.000</i>	<i>0.093</i>							<i>0.289</i>

Indicates item not stocked at time of printing - Please enquire for lead time

Page 49 of 71

E&OE Pricing and all details subject to change without notice - Copyright Miniature Bearings Australia Pty Ltd
MBA Size Listings are a guide to sizes only and must not be solely relied on for critical design information.

Springs - Compression - Standard - Stainless Steel

Part Number	Spring OD (D0) mm	Free Length (L0) mm	Wire Diameter (d) mm	Loaded Height (L1) mm	Load at L1 N	Rate (P/f) N/mm	Solid Height (Sh) mm	Material	End Type	Max Rod Dia. (A) mm
	<i>inches</i>	<i>inches</i>	<i>inches</i>	<i>inches</i>			<i>inches</i>			<i>inches</i>
# CS-1270-2540-29-S2	12.70	254.0	2.90	-	-	-	-	302 Stainless Steel	Open	6.27
	<i>0.500</i>	<i>10.000</i>	<i>0.114</i>							<i>0.247</i>
# CS-1350-0240-10-S2-C	13.50	24.0	1.00	9.40	18.30	1.24	5.50	302 Stainless Steel	Closed	10.83
	<i>0.531</i>	<i>0.945</i>	<i>0.039</i>	<i>0.370</i>			<i>0.217</i>			<i>0.426</i>
# CS-1350-0365-10-S2-C	13.50	36.5	1.00	13.40	18.30	0.79	7.50	302 Stainless Steel	Closed	10.83
	<i>0.531</i>	<i>1.437</i>	<i>0.039</i>	<i>0.528</i>			<i>0.295</i>			<i>0.426</i>
CS-1350-0555-10-S2-C	13.50	55.5	1.00	19.40	18.30	0.51	10.50	302 Stainless Steel	Closed	10.83
	<i>0.531</i>	<i>2.185</i>	<i>0.039</i>	<i>0.764</i>			<i>0.413</i>			<i>0.426</i>
CS-1350-0805-10-S2-C	13.50	80.5	1.00	27.40	18.30	0.34	14.50	302 Stainless Steel	Closed	10.83
	<i>0.531</i>	<i>3.169</i>	<i>0.039</i>	<i>1.079</i>			<i>0.571</i>			<i>0.426</i>
# CS-1350-1150-10-S2-C	13.50	115.0	1.00	39.40	18.30	0.23	20.50	302 Stainless Steel	Closed	10.83
	<i>0.531</i>	<i>4.528</i>	<i>0.039</i>	<i>1.551</i>			<i>0.807</i>			<i>0.426</i>
CS-1375-0270-13-S2-C	13.75	27.0	1.25	8.20	57.51	3.02	6.90	302 Stainless Steel	Closed	10.56
	<i>0.541</i>	<i>1.063</i>	<i>0.049</i>	<i>0.323</i>			<i>0.272</i>			<i>0.416</i>
# CS-1375-0415-13-S2-C	13.75	41.5	1.25	11.60	57.51	1.92	9.40	302 Stainless Steel	Closed	10.56
	<i>0.541</i>	<i>1.634</i>	<i>0.049</i>	<i>0.457</i>			<i>0.370</i>			<i>0.416</i>

Indicates item not stocked at time of printing - Please enquire for lead time

Page 50 of 71

E&OE Pricing and all details subject to change without notice - Copyright Miniature Bearings Australia Pty Ltd
MBA Size Listings are a guide to sizes only and must not be solely relied on for critical design information.

Springs - Compression - Standard - Stainless Steel

Part Number	Spring OD (D0) mm	Free Length (L0) mm	Wire Diameter (d) mm	Loaded Height (L1) mm	Load at L1 N	Rate (P/f) N/mm	Solid Height (Sh) mm	Material	End Type	Max Rod Dia. (A) mm
	<i>inches</i>	<i>inches</i>	<i>inches</i>	<i>inches</i>			<i>inches</i>			<i>inches</i>
# CS-1375-0625-13-S2-C	13.75	62.5	1.25	16.50	57.51	1.24	13.10	302 Stainless Steel	Closed	10.56
	<i>0.541</i>	<i>2.461</i>	<i>0.049</i>	<i>0.650</i>			<i>0.516</i>			<i>0.416</i>
CS-1375-0905-13-S2-C	13.75	90.5	1.25	23.10	57.51	0.85	18.10	302 Stainless Steel	Closed	10.56
	<i>0.541</i>	<i>3.563</i>	<i>0.049</i>	<i>0.909</i>			<i>0.713</i>			<i>0.416</i>
# CS-1375-1300-13-S2-C	13.75	130.0	1.25	32.90	57.51	0.57	25.60	302 Stainless Steel	Closed	10.56
	<i>0.541</i>	<i>5.118</i>	<i>0.049</i>	<i>1.295</i>			<i>1.008</i>			<i>0.416</i>
# CS-1400-0205-28-S2-C	14.00	20.5	2.80	16.40	432.14	106.20	15.40	302 Stainless Steel	Closed	7.70
	<i>0.551</i>	<i>0.807</i>	<i>0.110</i>	<i>0.646</i>			<i>0.606</i>			<i>0.303</i>
# CS-1400-0290-28-S2-C	14.00	29.0	2.80	22.30	432.14	52.36	21.00	302 Stainless Steel	Closed	7.70
	<i>0.551</i>	<i>1.142</i>	<i>0.110</i>	<i>0.878</i>			<i>0.827</i>			<i>0.303</i>
# CS-1400-0459-28-S2-C	14.00	45.9	2.80	34.90	432.14	39.05	32.20	302 Stainless Steel	Closed	7.70
	<i>0.551</i>	<i>1.807</i>	<i>0.110</i>	<i>1.374</i>			<i>1.268</i>			<i>0.303</i>
# CS-1400-0714-28-S2-C	14.00	71.4	2.80	53.30	432.14	23.93	49.00	302 Stainless Steel	Closed	7.70
	<i>0.551</i>	<i>2.811</i>	<i>0.110</i>	<i>2.098</i>			<i>1.929</i>			<i>0.303</i>
# CS-1410-0240-16-S2-C	14.10	24.0	1.60	10.00	112.73	8.13	8.80	302 Stainless Steel	Closed	10.20
	<i>0.555</i>	<i>0.945</i>	<i>0.063</i>	<i>0.394</i>			<i>0.346</i>			<i>0.402</i>

Indicates item not stocked at time of printing - Please enquire for lead time

Page 51 of 71

E&OE Pricing and all details subject to change without notice - Copyright Miniature Bearings Australia Pty Ltd

MBA Size Listings are a guide to sizes only and must not be solely relied on for critical design information.

Springs - Compression - Standard - Stainless Steel

Part Number	Spring OD (D0) mm	Free Length (L0) mm	Wire Diameter (d) mm	Loaded Height (L1) mm	Load at L1 N	Rate (P/f) N/mm	Solid Height (Sh) mm	Material	End Type	Max Rod Dia. (A) mm
	<i>inches</i>	<i>inches</i>	<i>inches</i>	<i>inches</i>			<i>inches</i>			<i>inches</i>
CS-1410-0360-16-S2-C	14.10	36.0	1.60	14.10	112.73	5.19	12.00	302 Stainless Steel	Closed	10.20
	<i>0.555</i>	<i>1.417</i>	<i>0.063</i>	<i>0.555</i>			<i>0.472</i>			<i>0.402</i>
CS-1410-0535-16-S2-C	14.10	53.5	1.60	20.10	112.73	3.37	16.80	302 Stainless Steel	Closed	10.20
	<i>0.555</i>	<i>2.106</i>	<i>0.063</i>	<i>0.791</i>			<i>0.661</i>			<i>0.402</i>
# CS-1410-0780-16-S2-C	14.10	78.0	1.60	28.00	112.73	2.27	23.20	302 Stainless Steel	Closed	10.20
	<i>0.555</i>	<i>3.071</i>	<i>0.063</i>	<i>1.102</i>			<i>0.913</i>			<i>0.402</i>
CS-1410-1150-16-S2-C	14.10	115.0	1.60	39.90	112.73	1.53	32.80	302 Stainless Steel	Closed	10.20
	<i>0.555</i>	<i>4.528</i>	<i>0.063</i>	<i>1.571</i>			<i>1.291</i>			<i>0.402</i>
# CS-1450-0225-20-S2-C	14.50	22.5	2.00	11.70	211.57	19.93	11.00	302 Stainless Steel	Closed	9.78
	<i>0.571</i>	<i>0.886</i>	<i>0.079</i>	<i>0.461</i>			<i>0.433</i>			<i>0.385</i>
# CS-1450-0330-20-S2-C	14.50	33.0	2.00	16.40	211.57	12.66	15.00	302 Stainless Steel	Closed	9.78
	<i>0.571</i>	<i>1.299</i>	<i>0.079</i>	<i>0.646</i>			<i>0.591</i>			<i>0.385</i>
# CS-1450-0495-20-S2-C	14.50	49.5	2.00	23.50	211.57	8.17	21.00	302 Stainless Steel	Closed	9.78
	<i>0.571</i>	<i>1.949</i>	<i>0.079</i>	<i>0.925</i>			<i>0.827</i>			<i>0.385</i>
# CS-1450-0710-20-S2-C	14.50	71.0	2.00	33.00	211.57	5.57	29.00	302 Stainless Steel	Closed	9.78
	<i>0.571</i>	<i>2.795</i>	<i>0.079</i>	<i>1.299</i>			<i>1.142</i>			<i>0.385</i>

Indicates item not stocked at time of printing - Please enquire for lead time

Page 52 of 71

E&OE Pricing and all details subject to change without notice - Copyright Miniature Bearings Australia Pty Ltd
MBA Size Listings are a guide to sizes only and must not be solely relied on for critical design information.

Springs - Compression - Standard - Stainless Steel

Part Number	Spring OD (D0) mm	Free Length (L0) mm	Wire Diameter (d) mm	Loaded Height (L1) mm	Load at L1 N	Rate (P/f) N/mm	Solid Height (Sh) mm	Material	End Type	Max Rod Dia. (A) mm
	<i>inches</i>	<i>inches</i>	<i>inches</i>	<i>inches</i>			<i>inches</i>			<i>inches</i>
CS-1450-1050-20-S2-C	14.50	105.0	2.00	47.20	211.57	3.77	41.00	302 Stainless Steel	Closed	9.78
	<i>0.571</i>	<i>4.134</i>	<i>0.079</i>	<i>1.858</i>			<i>1.614</i>			<i>0.385</i>
# CS-1500-0200-22-S2-C	15.00	20.0	2.20	12.90	214.02	27.04	12.10	302 Stainless Steel	Closed	9.85
	<i>0.591</i>	<i>0.787</i>	<i>0.087</i>	<i>0.508</i>			<i>0.476</i>			<i>0.388</i>
# CS-1500-0220-25-S2-C	15.00	22.0	2.50	14.00	389.66	48.61	13.80	302 Stainless Steel	Closed	9.25
	<i>0.591</i>	<i>0.866</i>	<i>0.098</i>	<i>0.551</i>			<i>0.543</i>			<i>0.364</i>
CS-1500-0300-16-S2-G	15.00	30.0	1.60	-	84.97	4.57	11.400	302 Stainless Steel	Closed Ground Flush	11.05
	<i>0.591</i>	<i>1.181</i>	<i>0.063</i>				<i>0.449</i>			<i>0.435</i>
# CS-1500-0302-22-S2-C	15.00	30.2	2.20	17.70	214.02	17.23	16.50	302 Stainless Steel	Closed	9.85
	<i>0.591</i>	<i>1.189</i>	<i>0.087</i>	<i>0.697</i>			<i>0.650</i>			<i>0.388</i>
# CS-1500-0320-25-S2-C	15.00	32.0	2.50	19.50	389.66	30.96	18.80	302 Stainless Steel	Closed	9.25
	<i>0.591</i>	<i>1.260</i>	<i>0.098</i>	<i>0.768</i>			<i>0.740</i>			<i>0.364</i>
# CS-1500-0475-25-S2-C	15.00	47.5	2.50	27.80	389.66	20.02	26.30	302 Stainless Steel	Closed	9.25
	<i>0.591</i>	<i>1.870</i>	<i>0.098</i>	<i>1.094</i>			<i>1.035</i>			<i>0.364</i>
# CS-1500-0489-22-S2-C	15.00	48.9	2.20	27.40	214.02	9.96	25.30	302 Stainless Steel	Closed	9.85
	<i>0.591</i>	<i>1.925</i>	<i>0.087</i>	<i>1.079</i>			<i>0.996</i>			<i>0.388</i>

Indicates item not stocked at time of printing - Please enquire for lead time

Page 53 of 71

E&OE Pricing and all details subject to change without notice - Copyright Miniature Bearings Australia Pty Ltd
MBA Size Listings are a guide to sizes only and must not be solely relied on for critical design information.

Springs - Compression - Standard - Stainless Steel

Part Number	Spring OD (D0) mm	Free Length (L0) mm	Wire Diameter (d) mm	Loaded Height (L1) mm	Load at L1 N	Rate (P/f) N/mm	Solid Height (Sh) mm	Material	End Type	Max Rod Dia. (A) mm
	<i>inches</i>	<i>inches</i>	<i>inches</i>	<i>inches</i>			<i>inches</i>			<i>inches</i>
# CS-1500-0675-25-S2-C	15.00	67.5	2.50	38.70	389.66	13.56	36.30	302 Stainless Steel	Closed	9.25
	<i>0.591</i>	<i>2.657</i>	<i>0.098</i>	<i>1.524</i>			<i>1.429</i>			<i>0.364</i>
# CS-1500-0980-25-S2-C	15.00	98.0	2.50	55.10	389.66	9.15	51.30	302 Stainless Steel	Closed	9.25
	<i>0.591</i>	<i>3.858</i>	<i>0.098</i>	<i>2.169</i>			<i>2.020</i>			<i>0.364</i>
# CS-1524-0318-25-S2	15.24	31.8	2.49	-	829		20.27	302 Stainless Steel		9.50
	<i>0.600</i>	<i>1.252</i>	<i>0.098</i>				<i>0.798</i>			<i>0.374</i>
CS-1524-0381-16-S2-G	15.24	38.1	1.60	19.05	65.58	3.50	13.360	302 Stainless Steel	Closed Ground Flush	11.28
	<i>0.600</i>	<i>1.500</i>	<i>0.063</i>	<i>0.750</i>			<i>0.526</i>			<i>0.444</i>
CS-1725-0405-13-S2-C	17.25	40.5	1.25	9.10	45.17	1.44	6.90	302 Stainless Steel	Closed	13.89
	<i>0.679</i>	<i>1.594</i>	<i>0.049</i>	<i>0.358</i>			<i>0.272</i>			<i>0.547</i>
CS-1725-0620-13-S2-C	17.25	62.0	1.25	12.90	45.17	0.92	9.40	302 Stainless Steel	Closed	13.89
	<i>0.679</i>	<i>2.441</i>	<i>0.049</i>	<i>0.508</i>			<i>0.370</i>			<i>0.547</i>
# CS-1725-0940-13-S2-C	17.25	94.0	1.25	18.50	45.17	0.60	13.10	302 Stainless Steel	Closed	13.89
	<i>0.679</i>	<i>3.701</i>	<i>0.049</i>	<i>0.728</i>			<i>0.516</i>			<i>0.547</i>
# CS-1725-1400-13-S2-C	17.25	140.0	1.25	26.00	45.17	0.40	18.10	302 Stainless Steel	Closed	13.89
	<i>0.679</i>	<i>5.512</i>	<i>0.049</i>	<i>1.024</i>			<i>0.713</i>			<i>0.547</i>

Indicates item not stocked at time of printing - Please enquire for lead time

Page 54 of 71

E&OE Pricing and all details subject to change without notice - Copyright Miniature Bearings Australia Pty Ltd
MBA Size Listings are a guide to sizes only and must not be solely relied on for critical design information.

Springs - Compression - Standard - Stainless Steel

Part Number	Spring OD (D0) mm	Free Length (L0) mm	Wire Diameter (d) mm	Loaded Height (L1) mm	Load at L1 N	Rate (P/f) N/mm	Solid Height (Sh) mm	Material	End Type	Max Rod Dia. (A) mm
	<i>inches</i>	<i>inches</i>	<i>inches</i>	<i>inches</i>			<i>inches</i>			<i>inches</i>
CS-1725-2050-13-S2-C	17.25	205.0	1.25	37.30	45.17	0.27	25.60	302 Stainless Steel	Closed	13.89
	<i>0.679</i>	<i>8.071</i>	<i>0.049</i>	<i>1.469</i>			<i>1.008</i>			<i>0.547</i>
# CS-1760-0340-16-S2-C	17.60	34.0	1.60	11.00	88.22	3.87	8.80	302 Stainless Steel	Closed	13.52
	<i>0.693</i>	<i>1.339</i>	<i>0.063</i>	<i>0.433</i>			<i>0.346</i>			<i>0.532</i>
CS-1760-0515-16-S2-C	17.60	51.5	1.60	15.50	88.22	2.47	12.00	302 Stainless Steel	Closed	13.52
	<i>0.693</i>	<i>2.028</i>	<i>0.063</i>	<i>0.610</i>			<i>0.472</i>			<i>0.532</i>
# CS-1760-0775-16-S2-C	17.60	77.5	1.60	22.20	88.22	1.60	16.80	302 Stainless Steel	Closed	13.52
	<i>0.693</i>	<i>3.051</i>	<i>0.063</i>	<i>0.874</i>			<i>0.661</i>			<i>0.532</i>
# CS-1760-1100-16-S2-C	17.60	110.0	1.60	31.20	88.22	1.08	23.20	302 Stainless Steel	Closed	13.52
	<i>0.693</i>	<i>4.331</i>	<i>0.063</i>	<i>1.228</i>			<i>0.913</i>			<i>0.532</i>
CS-1760-1650-16-S2-C	17.60	165.0	1.60	44.60	88.22	0.73	32.80	302 Stainless Steel	Closed	13.52
	<i>0.693</i>	<i>6.496</i>	<i>0.063</i>	<i>1.756</i>			<i>1.291</i>			<i>0.532</i>
CS-1800-0300-20-S2-C	18.00	30.0	2.00	12.50	165.01	9.48	11.00	302 Stainless Steel	Closed	13.10
	<i>0.709</i>	<i>1.181</i>	<i>0.079</i>	<i>0.492</i>			<i>0.433</i>			<i>0.516</i>
# CS-1800-0450-20-S2-C	18.00	45.0	2.00	17.70	165.01	6.03	15.00	302 Stainless Steel	Closed	13.10
	<i>0.709</i>	<i>1.772</i>	<i>0.079</i>	<i>0.697</i>			<i>0.591</i>			<i>0.516</i>

Indicates item not stocked at time of printing - Please enquire for lead time

Page 55 of 71

E&OE Pricing and all details subject to change without notice - Copyright Miniature Bearings Australia Pty Ltd
MBA Size Listings are a guide to sizes only and must not be solely relied on for critical design information.

Springs - Compression - Standard - Stainless Steel

Part Number	Spring OD (D0) mm	Free Length (L0) mm	Wire Diameter (d) mm	Loaded Height (L1) mm	Load at L1 N	Rate (P/f) N/mm	Solid Height (Sh) mm	Material	End Type	Max Rod Dia. (A) mm
	<i>inches</i>	<i>inches</i>	<i>inches</i>	<i>inches</i>			<i>inches</i>			<i>inches</i>
# CS-1800-0680-20-S2-C	18.00	68.0	2.00	25.50	165.01	3.91	21.00	302 Stainless Steel	Closed	13.10
	<i>0.709</i>	<i>2.677</i>	<i>0.079</i>	<i>1.004</i>			<i>0.827</i>			<i>0.516</i>
# CS-1800-0980-20-S2-C	18.00	98.0	2.00	35.90	165.01	2.68	29.00	302 Stainless Steel	Closed	13.10
	<i>0.709</i>	<i>3.858</i>	<i>0.079</i>	<i>1.413</i>			<i>1.142</i>			<i>0.516</i>
# CS-1800-1450-20-S2-C	18.00	145.0	2.00	51.40	165.01	1.80	41.00	302 Stainless Steel	Closed	13.10
	<i>0.709</i>	<i>5.709</i>	<i>0.079</i>	<i>2.024</i>			<i>1.614</i>			<i>0.516</i>
# CS-1829-0508-18-S2-G	18.29	50.8	1.83	24.13	76.52	2.92	17.196	302 Stainless Steel	Closed Ground Flush	13.72
	<i>0.720</i>	<i>2.000</i>	<i>0.072</i>	<i>0.950</i>			<i>0.677</i>			<i>0.540</i>
# CS-1830-0400-20-S2-G	18.30	40.0	2.00	-	143.77	5.76	15.040	302 Stainless Steel	Closed Ground Flush	13.39
	<i>0.720</i>	<i>1.575</i>	<i>0.079</i>				<i>0.592</i>			<i>0.527</i>
# CS-1850-0275-25-S2-C	18.50	27.5	2.50	14.60	303.89	23.12	13.80	302 Stainless Steel	Closed	12.58
	<i>0.728</i>	<i>1.083</i>	<i>0.098</i>	<i>0.575</i>			<i>0.543</i>			<i>0.495</i>
# CS-1850-0410-25-S2-C	18.50	41.0	2.50	20.50	303.89	14.70	18.80	302 Stainless Steel	Closed	12.58
	<i>0.728</i>	<i>1.614</i>	<i>0.098</i>	<i>0.807</i>			<i>0.740</i>			<i>0.495</i>
# CS-1850-0610-25-S2-C	18.50	61.0	2.50	29.30	303.89	9.55	26.30	302 Stainless Steel	Closed	12.58
	<i>0.728</i>	<i>2.402</i>	<i>0.098</i>	<i>1.154</i>			<i>1.035</i>			<i>0.495</i>

Indicates item not stocked at time of printing - Please enquire for lead time

Page 56 of 71

E&OE Pricing and all details subject to change without notice - Copyright Miniature Bearings Australia Pty Ltd
MBA Size Listings are a guide to sizes only and must not be solely relied on for critical design information.

Springs - Compression - Standard - Stainless Steel

Part Number	Spring OD (D0) mm	Free Length (L0) mm	Wire Diameter (d) mm	Loaded Height (L1) mm	Load at L1 N	Rate (P/f) N/mm	Solid Height (Sh) mm	Material	End Type	Max Rod Dia. (A) mm
	<i>inches</i>	<i>inches</i>	<i>inches</i>	<i>inches</i>			<i>inches</i>			<i>inches</i>
CS-1850-0880-25-S2-C	18.50	88.0	2.50	41.10	303.89	6.48	36.30	302 Stainless Steel	Closed	12.58
	<i>0.728</i>	<i>3.465</i>	<i>0.098</i>	<i>1.618</i>			<i>1.429</i>			<i>0.495</i>
# CS-1850-1300-25-S2-C	18.50	130.0	2.50	58.90	303.89	4.37	51.30	302 Stainless Steel	Closed	12.58
	<i>0.728</i>	<i>5.118</i>	<i>0.098</i>	<i>2.319</i>			<i>2.020</i>			<i>0.495</i>
# CS-1920-0275-32-S2-C	19.20	27.5	3.20	17.80	600.42	61.92	17.60	302 Stainless Steel	Closed	11.84
	<i>0.756</i>	<i>1.083</i>	<i>0.126</i>	<i>0.701</i>			<i>0.693</i>			<i>0.466</i>
# CS-1920-0400-32-S2-C	19.20	40.0	3.20	24.90	600.42	39.46	24.00	302 Stainless Steel	Closed	11.84
	<i>0.756</i>	<i>1.575</i>	<i>0.126</i>	<i>0.980</i>			<i>0.945</i>			<i>0.466</i>
# CS-1920-0590-32-S2-C	19.20	59.0	3.20	35.40	600.42	25.56	33.60	302 Stainless Steel	Closed	11.84
	<i>0.756</i>	<i>2.323</i>	<i>0.126</i>	<i>1.394</i>			<i>1.323</i>			<i>0.466</i>
# CS-1920-0835-32-S2-C	19.20	83.5	3.20	49.00	600.42	17.32	46.40	302 Stainless Steel	Closed	11.84
	<i>0.756</i>	<i>3.287</i>	<i>0.126</i>	<i>1.929</i>			<i>1.827</i>			<i>0.466</i>
# CS-1920-1200-32-S2-C	19.20	120.0	3.20	69.40	600.42	11.76	65.60	302 Stainless Steel	Closed	11.84
	<i>0.756</i>	<i>4.724</i>	<i>0.126</i>	<i>2.732</i>			<i>2.583</i>			<i>0.466</i>
# CS-2000-0272-28-S2-C	20.00	27.2	2.80	16.40	316.14	29.25	15.40	302 Stainless Steel	Closed	13.40
	<i>0.787</i>	<i>1.071</i>	<i>0.110</i>	<i>0.646</i>			<i>0.606</i>			<i>0.528</i>

Indicates item not stocked at time of printing - Please enquire for lead time

Page 57 of 71

E&OE Pricing and all details subject to change without notice - Copyright Miniature Bearings Australia Pty Ltd
MBA Size Listings are a guide to sizes only and must not be solely relied on for critical design information.

Springs - Compression - Standard - Stainless Steel

Part Number	Spring OD (D0) mm	Free Length (L0) mm	Wire Diameter (d) mm	Loaded Height (L1) mm	Load at L1 N	Rate (P/f) N/mm	Solid Height (Sh) mm	Material	End Type	Max Rod Dia. (A) mm
	<i>inches</i>	<i>inches</i>	<i>inches</i>	<i>inches</i>			<i>inches</i>			<i>inches</i>
# CS-2000-0395-28-S2-C	20.00	39.5	2.80	22.50	316.14	18.63	21.00	302 Stainless Steel	Closed	13.40
	<i>0.787</i>	<i>1.555</i>	<i>0.110</i>	<i>0.886</i>			<i>0.827</i>			<i>0.528</i>
# CS-2000-0642-28-S2-C	20.00	64.2	2.80	34.90	316.14	10.78	32.20	302 Stainless Steel	Closed	13.40
	<i>0.787</i>	<i>2.528</i>	<i>0.110</i>	<i>1.374</i>			<i>1.268</i>			<i>0.528</i>
# CS-2160-0480-16-S2-C	21.60	48.0	1.60	12.40	70.66	1.98	8.80	302 Stainless Steel	Closed	17.32
	<i>0.850</i>	<i>1.890</i>	<i>0.063</i>	<i>0.488</i>			<i>0.346</i>			<i>0.682</i>
# CS-2160-0735-16-S2-C	21.60	73.5	1.60	17.60	70.66	1.27	12.00	302 Stainless Steel	Closed	17.32
	<i>0.850</i>	<i>2.894</i>	<i>0.063</i>	<i>0.693</i>			<i>0.472</i>			<i>0.682</i>
CS-2160-1100-16-S2-C	21.60	110.0	1.60	25.50	70.66	0.82	16.80	302 Stainless Steel	Closed	17.32
	<i>0.850</i>	<i>4.331</i>	<i>0.063</i>	<i>1.004</i>			<i>0.661</i>			<i>0.682</i>
# CS-2160-1650-16-S2-C	21.60	165.0	1.60	36.00	70.66	0.56	23.20	302 Stainless Steel	Closed	17.32
	<i>0.850</i>	<i>6.496</i>	<i>0.063</i>	<i>1.417</i>			<i>0.913</i>			<i>0.682</i>
CS-2160-2400-16-S2-C	21.60	240.0	1.60	51.80	70.66	0.37	32.80	302 Stainless Steel	Closed	17.32
	<i>0.850</i>	<i>9.449</i>	<i>0.063</i>	<i>2.039</i>			<i>1.291</i>			<i>0.682</i>
# CS-2200-0410-20-S2-C	22.00	41.0	2.00	13.60	132.34	4.86	11.00	302 Stainless Steel	Closed	16.90
	<i>0.866</i>	<i>1.614</i>	<i>0.079</i>	<i>0.535</i>			<i>0.433</i>			<i>0.665</i>

Indicates item not stocked at time of printing - Please enquire for lead time

Page 58 of 71

E&OE Pricing and all details subject to change without notice - Copyright Miniature Bearings Australia Pty Ltd
MBA Size Listings are a guide to sizes only and must not be solely relied on for critical design information.

Springs - Compression - Standard - Stainless Steel

Part Number	Spring OD (D0) mm	Free Length (L0) mm	Wire Diameter (d) mm	Loaded Height (L1) mm	Load at L1 N	Rate (P/f) N/mm	Solid Height (Sh) mm	Material	End Type	Max Rod Dia. (A) mm
	<i>inches</i>	<i>inches</i>	<i>inches</i>	<i>inches</i>			<i>inches</i>			<i>inches</i>
# CS-2200-0620-20-S2-C	22.00	62.0	2.00	19.20	132.34	3.09	15.00	302 Stainless Steel	Closed	16.90
	<i>0.866</i>	<i>2.441</i>	<i>0.079</i>	<i>0.756</i>			<i>0.591</i>			<i>0.665</i>
# CS-2200-0940-20-S2-C	22.00	94.0	2.00	27.60	132.34	1.99	21.00	302 Stainless Steel	Closed	16.90
	<i>0.866</i>	<i>3.701</i>	<i>0.079</i>	<i>1.087</i>			<i>0.827</i>			<i>0.665</i>
# CS-2200-1350-20-S2-C	22.00	135.0	2.00	38.80	132.34	1.36	29.00	302 Stainless Steel	Closed	16.90
	<i>0.866</i>	<i>5.315</i>	<i>0.079</i>	<i>1.528</i>			<i>1.142</i>			<i>0.665</i>
# CS-2200-2000-20-S2-C	22.00	200.0	2.00	55.60	132.34	0.92	41.00	302 Stainless Steel	Closed	16.90
	<i>0.866</i>	<i>7.874</i>	<i>0.079</i>	<i>2.189</i>			<i>1.614</i>			<i>0.665</i>
# CS-2250-0360-25-S2-C	22.50	36.0	2.50	15.50	303.89	11.85	13.80	302 Stainless Steel	Closed	16.38
	<i>0.886</i>	<i>1.417</i>	<i>0.098</i>	<i>0.610</i>			<i>0.543</i>			<i>0.645</i>
# CS-2250-0540-25-S2-C	22.50	54.0	2.50	21.90	243.44	7.54	18.80	302 Stainless Steel	Closed	16.38
	<i>0.886</i>	<i>2.126</i>	<i>0.098</i>	<i>0.862</i>			<i>0.740</i>			<i>0.645</i>
# CS-2250-0815-25-S2-C	22.50	81.5	2.50	31.50	243.44	4.87	26.30	302 Stainless Steel	Closed	16.38
	<i>0.886</i>	<i>3.209</i>	<i>0.098</i>	<i>1.240</i>			<i>1.035</i>			<i>0.645</i>
# CS-2250-1200-25-S2-C	22.50	120.0	2.50	44.30	243.44	3.32	36.30	302 Stainless Steel	Closed	16.38
	<i>0.886</i>	<i>4.724</i>	<i>0.098</i>	<i>1.744</i>			<i>1.429</i>			<i>0.645</i>

Indicates item not stocked at time of printing - Please enquire for lead time

Page 59 of 71

E&OE Pricing and all details subject to change without notice - Copyright Miniature Bearings Australia Pty Ltd
MBA Size Listings are a guide to sizes only and must not be solely relied on for critical design information.

Springs - Compression - Standard - Stainless Steel

Part Number	Spring OD (D0) mm	Free Length (L0) mm	Wire Diameter (d) mm	Loaded Height (L1) mm	Load at L1 N	Rate (P/f) N/mm	Solid Height (Sh) mm	Material	End Type	Max Rod Dia. (A) mm
	<i>inches</i>	<i>inches</i>	<i>inches</i>	<i>inches</i>			<i>inches</i>			<i>inches</i>
# CS-2250-1750-25-S2-C	22.50	175.0	2.50	63.60	243.44	2.24	51.30	302 Stainless Steel	Closed	16.38
	<i>0.886</i>	<i>6.890</i>	<i>0.098</i>	<i>2.504</i>			<i>2.020</i>			<i>0.645</i>
# CS-2320-0335-32-S2-C	23.20	33.5	3.20	18.50	480.33	31.78	17.60	302 Stainless Steel	Closed	15.64
	<i>0.913</i>	<i>1.319</i>	<i>0.126</i>	<i>0.728</i>			<i>0.693</i>			<i>0.616</i>
# CS-2320-0495-32-S2-C	23.20	49.5	3.20	25.90	480.33	20.18	24.00	302 Stainless Steel	Closed	15.64
	<i>0.913</i>	<i>1.949</i>	<i>0.126</i>	<i>1.020</i>			<i>0.945</i>			<i>0.616</i>
# CS-2320-0740-32-S2-C	23.20	74.0	3.20	37.10	480.33	13.07	33.60	302 Stainless Steel	Closed	15.64
	<i>0.913</i>	<i>2.913</i>	<i>0.126</i>	<i>1.461</i>			<i>1.323</i>			<i>0.616</i>
# CS-2320-1050-32-S2-C	23.20	105.0	3.20	51.60	480.33	8.90	46.40	302 Stainless Steel	Closed	15.64
	<i>0.913</i>	<i>4.134</i>	<i>0.126</i>	<i>2.031</i>			<i>1.827</i>			<i>0.616</i>
# CS-2320-1550-32-S2-C	23.20	155.0	3.20	73.20	480.33	6.01	65.60	302 Stainless Steel	Closed	15.64
	<i>0.913</i>	<i>6.102</i>	<i>0.126</i>	<i>2.882</i>			<i>2.583</i>			<i>0.616</i>
# CS-2400-0335-40-S2-C	24.00	33.5	4.00	22.20	890.41	77.53	22.00	302 Stainless Steel	Closed	14.80
	<i>0.945</i>	<i>1.319</i>	<i>0.157</i>	<i>0.874</i>			<i>0.866</i>			<i>0.583</i>
# CS-2400-0392-22-S2-C	24.00	39.2	2.20	14.00	138.05	5.47	12.10	302 Stainless Steel	Closed	18.40
	<i>0.945</i>	<i>1.543</i>	<i>0.087</i>	<i>0.551</i>			<i>0.476</i>			<i>0.724</i>

Indicates item not stocked at time of printing - Please enquire for lead time

Page 60 of 71

E&OE Pricing and all details subject to change without notice - Copyright Miniature Bearings Australia Pty Ltd
MBA Size Listings are a guide to sizes only and must not be solely relied on for critical design information.

Springs - Compression - Standard - Stainless Steel

Part Number	Spring OD (D0) mm	Free Length (L0) mm	Wire Diameter (d) mm	Loaded Height (L1) mm	Load at L1 N	Rate (P/f) N/mm	Solid Height (Sh) mm	Material	End Type	Max Rod Dia. (A) mm
	<i>inches</i>	<i>inches</i>	<i>inches</i>	<i>inches</i>			<i>inches</i>			<i>inches</i>
# CS-2400-0490-40-S2-C	24.00	49.0	4.00	31.00	890.41	49.34	30.00	302 Stainless Steel	Closed	14.80
	<i>0.945</i>	<i>1.929</i>	<i>0.157</i>	<i>1.220</i>			<i>1.181</i>			<i>0.583</i>
# CS-2400-0591-22-S2-C	24.00	59.1	2.20	19.50	138.05	3.49	16.50	302 Stainless Steel	Closed	18.40
	<i>0.945</i>	<i>2.327</i>	<i>0.087</i>	<i>0.768</i>			<i>0.650</i>			<i>0.724</i>
# CS-2400-0720-40-S2-C	24.00	72.0	4.00	44.20	890.41	31.94	42.00	302 Stainless Steel	Closed	14.80
	<i>0.945</i>	<i>2.835</i>	<i>0.157</i>	<i>1.740</i>			<i>1.654</i>			<i>0.583</i>
# CS-2400-1050-40-S2-C	24.00	105.0	4.00	61.70	890.41	21.73	58.00	302 Stainless Steel	Closed	14.80
	<i>0.945</i>	<i>4.134</i>	<i>0.157</i>	<i>2.429</i>			<i>2.283</i>			<i>0.583</i>
# CS-2400-1500-40-S2-C	24.00	150.0	4.00	87.70	890.41	14.62	82.00	302 Stainless Steel	Closed	14.80
	<i>0.945</i>	<i>5.906</i>	<i>0.157</i>	<i>3.453</i>			<i>3.228</i>			<i>0.583</i>
# CS-2700-0580-20-S2-C	27.00	58.0	2.00	15.00	106.20	2.48	11.00	302 Stainless Steel	Closed	21.65
	<i>1.063</i>	<i>2.283</i>	<i>0.079</i>	<i>0.591</i>			<i>0.433</i>			<i>0.852</i>
# CS-2700-0885-20-S2-C	27.00	88.5	2.00	21.40	106.20	1.58	15.00	302 Stainless Steel	Closed	21.65
	<i>1.063</i>	<i>3.484</i>	<i>0.079</i>	<i>0.843</i>			<i>0.591</i>			<i>0.852</i>
CS-2700-1350-20-S2-C	27.00	135.0	2.00	31.00	106.20	1.02	21.00	302 Stainless Steel	Closed	21.65
	<i>1.063</i>	<i>5.315</i>	<i>0.079</i>	<i>1.220</i>			<i>0.827</i>			<i>0.852</i>

Indicates item not stocked at time of printing - Please enquire for lead time

Page 61 of 71

E&OE Pricing and all details subject to change without notice - Copyright Miniature Bearings Australia Pty Ltd
MBA Size Listings are a guide to sizes only and must not be solely relied on for critical design information.

Springs - Compression - Standard - Stainless Steel

Part Number	Spring OD (D0) mm	Free Length (L0) mm	Wire Diameter (d) mm	Loaded Height (L1) mm	Load at L1 N	Rate (P/f) N/mm	Solid Height (Sh) mm	Material	End Type	Max Rod Dia. (A) mm
	<i>inches</i>	<i>inches</i>	<i>inches</i>	<i>inches</i>			<i>inches</i>			<i>inches</i>
# CS-2700-1950-20-S2-C	27.00	195.0	2.00	43.80	106.20	0.69	29.00	302 Stainless Steel	Closed	21.65
	<i>1.063</i>	<i>7.677</i>	<i>0.079</i>	<i>1.724</i>			<i>1.142</i>			<i>0.852</i>
# CS-2700-2900-20-S2-C	27.00	290.0	2.00	63.00	106.20	0.47	41.00	302 Stainless Steel	Closed	21.65
	<i>1.063</i>	<i>11.417</i>	<i>0.079</i>	<i>2.480</i>			<i>1.614</i>			<i>0.852</i>
# CS-2750-0490-25-S2-C	27.50	49.0	2.50	16.80	194.42	6.07	13.80	302 Stainless Steel	Closed	21.13
	<i>1.083</i>	<i>1.929</i>	<i>0.098</i>	<i>0.661</i>			<i>0.543</i>			<i>0.832</i>
# CS-2750-0745-25-S2-C	27.50	74.5	2.50	24.00	194.42	3.87	18.80	302 Stainless Steel	Closed	21.13
	<i>1.083</i>	<i>2.933</i>	<i>0.098</i>	<i>0.945</i>			<i>0.740</i>			<i>0.832</i>
# CS-2750-1150-25-S2-C	27.50	115.0	2.50	34.80	194.42	2.50	26.30	302 Stainless Steel	Closed	21.13
	<i>1.083</i>	<i>4.528</i>	<i>0.098</i>	<i>1.370</i>			<i>1.035</i>			<i>0.832</i>
CS-2750-1650-25-S2-C	27.50	165.0	2.50	49.20	194.42	1.70	36.30	302 Stainless Steel	Closed	21.13
	<i>1.083</i>	<i>6.496</i>	<i>0.098</i>	<i>1.937</i>			<i>1.429</i>			<i>0.832</i>
# CS-2750-2400-25-S2-C	27.50	240.0	2.50	70.80	194.42	1.15	51.30	302 Stainless Steel	Closed	21.13
	<i>1.083</i>	<i>9.449</i>	<i>0.098</i>	<i>2.787</i>			<i>2.020</i>			<i>0.832</i>
# CS-2820-0425-32-S2-C	28.20	42.5	3.20	19.10	383.94	16.18	17.60	302 Stainless Steel	Closed	20.39
	<i>1.110</i>	<i>1.673</i>	<i>0.126</i>	<i>0.752</i>			<i>0.693</i>			<i>0.803</i>

Indicates item not stocked at time of printing - Please enquire for lead time

Page 62 of 71

E&OE Pricing and all details subject to change without notice - Copyright Miniature Bearings Australia Pty Ltd
MBA Size Listings are a guide to sizes only and must not be solely relied on for critical design information.

Springs - Compression - Standard - Stainless Steel

Part Number	Spring OD (D0) mm	Free Length (L0) mm	Wire Diameter (d) mm	Loaded Height (L1) mm	Load at L1 N	Rate (P/f) N/mm	Solid Height (Sh) mm	Material	End Type	Max Rod Dia. (A) mm
	<i>inches</i>	<i>inches</i>	<i>inches</i>	<i>inches</i>			<i>inches</i>			<i>inches</i>
# CS-2820-0635-32-S2-C	28.20	63.5	3.20	26.30	383.94	10.30	24.00	302 Stainless Steel	Closed	20.39
	<i>1.110</i>	<i>2.500</i>	<i>0.126</i>	<i>1.035</i>			<i>0.945</i>			<i>0.803</i>
# CS-2820-0945-32-S2-C	28.20	94.5	3.20	37.10	383.94	6.68	33.60	302 Stainless Steel	Closed	20.39
	<i>1.110</i>	<i>3.720</i>	<i>0.126</i>	<i>1.461</i>			<i>1.323</i>			<i>0.803</i>
# CS-2820-1350-32-S2-C	28.20	135.0	3.20	51.60	383.94	4.54	46.40	302 Stainless Steel	Closed	20.39
	<i>1.110</i>	<i>5.315</i>	<i>0.126</i>	<i>2.031</i>			<i>1.827</i>			<i>0.803</i>
# CS-2820-2000-32-S2-C	28.20	200.0	3.20	73.20	383.94	3.07	65.60	302 Stainless Steel	Closed	20.39
	<i>1.110</i>	<i>7.874</i>	<i>0.126</i>	<i>2.882</i>			<i>2.583</i>			<i>0.803</i>
# CS-2900-0410-40-S2-C	29.00	41.0	4.00	22.90	709.88	39.70	22.00	302 Stainless Steel	Closed	19.55
	<i>1.142</i>	<i>1.614</i>	<i>0.157</i>	<i>0.902</i>			<i>0.866</i>			<i>0.770</i>
# CS-2900-0605-40-S2-C	29.00	60.5	4.00	32.20	709.88	25.24	30.00	302 Stainless Steel	Closed	19.55
	<i>1.142</i>	<i>2.382</i>	<i>0.157</i>	<i>1.268</i>			<i>1.181</i>			<i>0.770</i>
# CS-2900-0895-40-S2-C	29.00	89.5	4.00	46.00	709.88	16.34	42.00	302 Stainless Steel	Closed	19.55
	<i>1.142</i>	<i>3.524</i>	<i>0.157</i>	<i>1.811</i>			<i>1.654</i>			<i>0.770</i>
# CS-2900-1300-40-S2-C	29.00	130.0	4.00	64.50	709.88	11.11	58.00	302 Stainless Steel	Closed	19.55
	<i>1.142</i>	<i>5.118</i>	<i>0.157</i>	<i>2.539</i>			<i>2.283</i>			<i>0.770</i>

Indicates item not stocked at time of printing - Please enquire for lead time

Page 63 of 71

E&OE Pricing and all details subject to change without notice - Copyright Miniature Bearings Australia Pty Ltd
MBA Size Listings are a guide to sizes only and must not be solely relied on for critical design information.

Springs - Compression - Standard - Stainless Steel

Part Number	Spring OD (D0) mm	Free Length (L0) mm	Wire Diameter (d) mm	Loaded Height (L1) mm	Load at L1 N	Rate (P/f) N/mm	Solid Height (Sh) mm	Material	End Type	Max Rod Dia. (A) mm
	<i>inches</i>	<i>inches</i>	<i>inches</i>	<i>inches</i>			<i>inches</i>			<i>inches</i>
# CS-2900-1850-40-S2-C	29.00	185.0	4.00	92.10	709.88	7.51	82.00	302 Stainless Steel	Closed	19.55
	<i>1.142</i>	<i>7.283</i>	<i>0.157</i>	<i>3.626</i>			<i>3.228</i>			<i>0.770</i>
# CS-3000-0410-50-S2-C	30.00	41.0	5.00	27.60	1307.03	97.21	27.50	302 Stainless Steel	Closed	18.50
	<i>1.181</i>	<i>1.614</i>	<i>0.197</i>	<i>1.087</i>			<i>1.083</i>			<i>0.728</i>
# CS-3000-0470-28-S2-C	30.00	47.0	2.80	17.90	215.68	7.40	15.40	302 Stainless Steel	Closed	22.90
	<i>1.181</i>	<i>1.850</i>	<i>0.110</i>	<i>0.705</i>			<i>0.606</i>			<i>0.902</i>
# CS-3000-0600-50-S2-C	30.00	60.0	5.00	38.50	1307.03	61.68	37.50	302 Stainless Steel	Closed	18.50
	<i>1.181</i>	<i>2.362</i>	<i>0.197</i>	<i>1.516</i>			<i>1.476</i>			<i>0.728</i>
# CS-3000-0707-28-S2-C	30.00	70.7	2.80	24.90	215.68	4.71	21.00	302 Stainless Steel	Closed	22.90
	<i>1.181</i>	<i>2.783</i>	<i>0.110</i>	<i>0.980</i>			<i>0.827</i>			<i>0.902</i>
# CS-3000-0875-50-S2-C	30.00	87.5	5.00	54.90	1307.03	39.87	52.50	302 Stainless Steel	Closed	18.50
	<i>1.181</i>	<i>3.445</i>	<i>0.197</i>	<i>2.161</i>			<i>2.067</i>			<i>0.728</i>
# CS-3000-1250-50-S2-C	30.00	125.0	5.00	76.70	1307.03	27.15	72.50	302 Stainless Steel	Closed	18.50
	<i>1.181</i>	<i>4.921</i>	<i>0.197</i>	<i>3.020</i>			<i>2.854</i>			<i>0.728</i>
# CS-3000-1800-50-S2-C	30.00	180.0	5.00	109.00	1307.03	18.30	102.50	302 Stainless Steel	Closed	18.50
	<i>1.181</i>	<i>7.087</i>	<i>0.197</i>	<i>4.291</i>			<i>4.035</i>			<i>0.728</i>

Indicates item not stocked at time of printing - Please enquire for lead time

Page 64 of 71

E&OE Pricing and all details subject to change without notice - Copyright Miniature Bearings Australia Pty Ltd
MBA Size Listings are a guide to sizes only and must not be solely relied on for critical design information.

Springs - Compression - Standard - Stainless Steel

Part Number	Spring OD (D0) mm	Free Length (L0) mm	Wire Diameter (d) mm	Loaded Height (L1) mm	Load at L1 N	Rate (P/f) N/mm	Solid Height (Sh) mm	Material	End Type	Max Rod Dia. (A) mm
	<i>inches</i>	<i>inches</i>	<i>inches</i>	<i>inches</i>			<i>inches</i>			<i>inches</i>
# CS-3450-0715-25-S2-C	34.50	71.5	2.50	19.30	151.94	2.90	13.80	302 Stainless Steel	Closed	27.78
	<i>1.358</i>	<i>2.815</i>	<i>0.098</i>	<i>0.760</i>			<i>0.543</i>			<i>1.094</i>
# CS-3450-1100-25-S2-C	34.50	110.0	2.50	27.90	151.94	1.85	18.80	302 Stainless Steel	Closed	27.78
	<i>1.358</i>	<i>4.331</i>	<i>0.098</i>	<i>1.098</i>			<i>0.740</i>			<i>1.094</i>
CS-3450-1700-25-S2-C	34.50	170.0	2.50	41.00	151.94	1.19	26.30	302 Stainless Steel	Closed	27.78
	<i>1.358</i>	<i>6.693</i>	<i>0.098</i>	<i>1.614</i>			<i>1.035</i>			<i>1.094</i>
# CS-3450-2450-25-S2-C	34.50	245.0	2.50	58.10	151.94	0.81	36.30	302 Stainless Steel	Closed	27.78
	<i>1.358</i>	<i>9.646</i>	<i>0.098</i>	<i>2.287</i>			<i>1.429</i>			<i>1.094</i>
# CS-3450-3600-25-S2-C	34.50	360.0	2.50	83.90	151.94	0.55	51.30	302 Stainless Steel	Closed	27.78
	<i>1.358</i>	<i>14.173</i>	<i>0.098</i>	<i>3.303</i>			<i>2.020</i>			<i>1.094</i>
# CS-3520-0585-32-S2-C	35.20	58.5	3.20	19.80	300.61	7.76	17.60	302 Stainless Steel	Closed	27.04
	<i>1.386</i>	<i>2.303</i>	<i>0.126</i>	<i>0.780</i>			<i>0.693</i>			<i>1.065</i>
# CS-3520-0885-32-S2-C	35.20	88.5	3.20	27.40	300.61	4.93	24.00	302 Stainless Steel	Closed	27.04
	<i>1.386</i>	<i>3.484</i>	<i>0.126</i>	<i>1.079</i>			<i>0.945</i>			<i>1.065</i>
# CS-3520-1350-32-S2-C	35.20	135.0	3.20	38.80	300.61	3.18	33.60	302 Stainless Steel	Closed	27.04
	<i>1.386</i>	<i>5.315</i>	<i>0.126</i>	<i>1.528</i>			<i>1.323</i>			<i>1.065</i>

Indicates item not stocked at time of printing - Please enquire for lead time

Page 65 of 71

E&OE Pricing and all details subject to change without notice - Copyright Miniature Bearings Australia Pty Ltd
MBA Size Listings are a guide to sizes only and must not be solely relied on for critical design information.

Springs - Compression - Standard - Stainless Steel

Part Number	Spring OD (D0) mm	Free Length (L0) mm	Wire Diameter (d) mm	Loaded Height (L1) mm	Load at L1 N	Rate (P/f) N/mm	Solid Height (Sh) mm	Material	End Type	Max Rod Dia. (A) mm
	<i>inches</i>	<i>inches</i>	<i>inches</i>	<i>inches</i>			<i>inches</i>			<i>inches</i>
# CS-3520-1900-32-S2-C	35.20	190.0	3.20	54.10	300.61	2.17	46.40	302 Stainless Steel	Closed	27.04
	<i>1.386</i>	<i>7.480</i>	<i>0.126</i>	<i>2.130</i>			<i>1.827</i>			<i>1.065</i>
# CS-3520-2800-32-S2-C	35.20	280.0	3.20	77.00	300.61	1.47	65.60	302 Stainless Steel	Closed	27.04
	<i>1.386</i>	<i>11.024</i>	<i>0.126</i>	<i>3.031</i>			<i>2.583</i>			<i>1.065</i>
# CS-3600-0535-40-S2-C	36.00	53.5	4.00	24.00	554.67	18.95	22.00	302 Stainless Steel	Closed	26.20
	<i>1.417</i>	<i>2.106</i>	<i>0.157</i>	<i>0.945</i>			<i>0.866</i>			<i>1.031</i>
# CS-3600-0795-40-S2-C	36.00	79.5	4.00	33.30	554.67	12.01	30.00	302 Stainless Steel	Closed	26.20
	<i>1.417</i>	<i>3.130</i>	<i>0.157</i>	<i>1.311</i>			<i>1.181</i>			<i>1.031</i>
# CS-3600-1200-40-S2-C	36.00	120.0	4.00	47.20	554.67	7.79	42.00	302 Stainless Steel	Closed	26.20
	<i>1.417</i>	<i>4.724</i>	<i>0.157</i>	<i>1.858</i>			<i>1.654</i>			<i>1.031</i>
# CS-3600-1700-40-S2-C	36.00	170.0	4.00	65.80	554.67	5.29	58.00	302 Stainless Steel	Closed	26.20
	<i>1.417</i>	<i>6.693</i>	<i>0.157</i>	<i>2.591</i>			<i>2.283</i>			<i>1.031</i>
# CS-3600-2500-40-S2-C	36.00	250.0	4.00	93.60	554.67	3.58	82.00	302 Stainless Steel	Closed	26.20
	<i>1.417</i>	<i>9.843</i>	<i>0.157</i>	<i>3.685</i>			<i>3.228</i>			<i>1.031</i>
# CS-3700-0510-50-S2-C	37.00	51.0	5.00	28.70	1021.12	46.16	27.50	302 Stainless Steel	Closed	25.15
	<i>1.457</i>	<i>2.008</i>	<i>0.197</i>	<i>1.130</i>			<i>1.083</i>			<i>0.990</i>

Indicates item not stocked at time of printing - Please enquire for lead time

Page 66 of 71

E&OE Pricing and all details subject to change without notice - Copyright Miniature Bearings Australia Pty Ltd
MBA Size Listings are a guide to sizes only and must not be solely relied on for critical design information.

Springs - Compression - Standard - Stainless Steel

Part Number	Spring OD (D0) mm	Free Length (L0) mm	Wire Diameter (d) mm	Loaded Height (L1) mm	Load at L1 N	Rate (P/f) N/mm	Solid Height (Sh) mm	Material	End Type	Max Rod Dia. (A) mm
	<i>inches</i>	<i>inches</i>	<i>inches</i>	<i>inches</i>			<i>inches</i>			<i>inches</i>
# CS-3700-0750-50-S2-C	37.00	75.0	5.00	40.20	1021.12	29.40	37.50	302 Stainless Steel	Closed	25.15
	<i>1.457</i>	<i>2.953</i>	<i>0.197</i>	<i>1.583</i>			<i>1.476</i>			<i>0.990</i>
# CS-3700-1100-50-S2-C	37.00	110.0	5.00	57.50	1021.12	19.03	52.50	302 Stainless Steel	Closed	25.15
	<i>1.457</i>	<i>4.331</i>	<i>0.197</i>	<i>2.264</i>			<i>2.067</i>			<i>0.990</i>
# CS-3700-1600-50-S2-C	37.00	160.0	5.00	80.50	1021.12	12.90	72.50	302 Stainless Steel	Closed	25.15
	<i>1.457</i>	<i>6.299</i>	<i>0.197</i>	<i>3.169</i>			<i>2.854</i>			<i>0.990</i>
# CS-3700-2300-50-S2-C	37.00	230.0	5.00	115.00	1021.12	8.74	102.50	302 Stainless Steel	Closed	25.15
	<i>1.457</i>	<i>9.055</i>	<i>0.197</i>	<i>4.528</i>			<i>4.035</i>			<i>0.990</i>
# CS-4320-0820-32-S2-C	43.20	82.0	3.20	21.20	240.17	3.97	17.60	302 Stainless Steel	Closed	34.64
	<i>1.701</i>	<i>3.228</i>	<i>0.126</i>	<i>0.835</i>			<i>0.693</i>			<i>1.364</i>
# CS-4320-1250-32-S2-C	43.20	125.0	3.20	29.70	240.17	2.52	24.00	302 Stainless Steel	Closed	34.64
	<i>1.701</i>	<i>4.921</i>	<i>0.126</i>	<i>1.169</i>			<i>0.945</i>			<i>1.364</i>
# CS-4320-1900-32-S2-C	43.20	190.0	3.20	42.30	240.17	1.63	33.60	302 Stainless Steel	Closed	34.64
	<i>1.701</i>	<i>7.480</i>	<i>0.126</i>	<i>1.665</i>			<i>1.323</i>			<i>1.364</i>
# CS-4320-2750-32-S2-C	43.20	275.0	3.20	59.20	240.17	1.11	46.40	302 Stainless Steel	Closed	34.64
	<i>1.701</i>	<i>10.827</i>	<i>0.126</i>	<i>2.331</i>			<i>1.827</i>			<i>1.364</i>

Indicates item not stocked at time of printing - Please enquire for lead time

Page 67 of 71

E&OE Pricing and all details subject to change without notice - Copyright Miniature Bearings Australia Pty Ltd
MBA Size Listings are a guide to sizes only and must not be solely relied on for critical design information.

Springs - Compression - Standard - Stainless Steel

Part Number	Spring OD (D0) mm	Free Length (L0) mm	Wire Diameter (d) mm	Loaded Height (L1) mm	Load at L1 N	Rate (P/f) N/mm	Solid Height (Sh) mm	Material	End Type	Max Rod Dia. (A) mm
	<i>inches</i>	<i>inches</i>	<i>inches</i>	<i>inches</i>			<i>inches</i>			<i>inches</i>
# CS-4320-4050-32-S2-C	43.20	405.0	3.20	84.50	240.17	0.75	65.60	302 Stainless Steel	Closed	34.64
	<i>1.701</i>	<i>15.945</i>	<i>0.126</i>	<i>3.327</i>			<i>2.583</i>			<i>1.364</i>
# CS-4400-0710-40-S2-C	44.00	71.0	4.00	25.20	443.57	9.72	22.00	302 Stainless Steel	Closed	33.80
	<i>1.732</i>	<i>2.795</i>	<i>0.157</i>	<i>0.992</i>			<i>0.866</i>			<i>1.331</i>
CS-4400-1050-40-S2-C	44.00	105.0	4.00	35.10	443.57	6.16	30.00	302 Stainless Steel	Closed	33.80
	<i>1.732</i>	<i>4.134</i>	<i>0.157</i>	<i>1.382</i>			<i>1.181</i>			<i>1.331</i>
# CS-4400-1600-40-S2-C	44.00	160.0	4.00	50.00	443.57	3.99	42.00	302 Stainless Steel	Closed	33.80
	<i>1.732</i>	<i>6.299</i>	<i>0.157</i>	<i>1.969</i>			<i>1.654</i>			<i>1.331</i>
# CS-4400-2350-40-S2-C	44.00	235.0	4.00	69.80	443.57	2.72	58.00	302 Stainless Steel	Closed	33.80
	<i>1.732</i>	<i>9.252</i>	<i>0.157</i>	<i>2.748</i>			<i>2.283</i>			<i>1.331</i>
# CS-4400-3400-40-S2-C	44.00	340.0	4.00	99.60	443.57	1.83	82.00	302 Stainless Steel	Closed	33.80
	<i>1.732</i>	<i>13.386</i>	<i>0.157</i>	<i>3.921</i>			<i>3.228</i>			<i>1.331</i>
# CS-4500-0640-50-S2-C	45.00	64.0	5.00	29.60	816.90	23.61	27.50	302 Stainless Steel	Closed	32.75
	<i>1.772</i>	<i>2.520</i>	<i>0.197</i>	<i>1.165</i>			<i>1.083</i>			<i>1.289</i>
# CS-4500-0955-50-S2-C	45.00	95.5	5.00	41.10	816.90	15.03	37.50	302 Stainless Steel	Closed	32.75
	<i>1.772</i>	<i>3.760</i>	<i>0.197</i>	<i>1.618</i>			<i>1.476</i>			<i>1.289</i>

Indicates item not stocked at time of printing - Please enquire for lead time

Page 68 of 71

E&OE Pricing and all details subject to change without notice - Copyright Miniature Bearings Australia Pty Ltd
MBA Size Listings are a guide to sizes only and must not be solely relied on for critical design information.

Springs - Compression - Standard - Stainless Steel

Part Number	Spring OD (D0) mm	Free Length (L0) mm	Wire Diameter (d) mm	Loaded Height (L1) mm	Load at L1 N	Rate (P/f) N/mm	Solid Height (Sh) mm	Material	End Type	Max Rod Dia. (A) mm
	<i>inches</i>	<i>inches</i>	<i>inches</i>	<i>inches</i>			<i>inches</i>			<i>inches</i>
# CS-4500-1400-50-S2-C	45.00	140.0	5.00	58.40	816.90	9.72	52.50	302 Stainless Steel	Closed	32.75
	1.772	5.512	0.197	2.299			2.067			1.289
# CS-4500-2050-50-S2-C	45.00	205.0	5.00	81.40	816.90	6.61	72.50	302 Stainless Steel	Closed	32.75
	1.772	8.071	0.197	3.205			2.854			1.289
# CS-4500-3000-50-S2-C	45.00	300.0	5.00	116.00	816.90	4.46	102.50	302 Stainless Steel	Closed	32.75
	1.772	11.811	0.197	4.567			4.035			1.289
# CS-4920-0635-45-M-S6	49.20	63.5	4.50				26.770	316 Stainless Steel	Ground Flush	37.75
	1.937	2.500	0.177				1.054			1.486
# CS-4920-0635-45-M-S4	49.20	63.5	4.50				26.770	304 Stainless Steel	Ground Flush	37.75
	1.937	2.500	0.177				1.054			1.486
# CS-5400-0990-40-S2-C	54.00	99.0	4.00	27.40	355.35	4.96	22.00	302 Stainless Steel	Closed	43.30
	2.126	3.898	0.157	1.079			0.866			1.705
# CS-5400-1500-40-S2-C	54.00	150.0	4.00	38.60	355.35	3.16	30.00	302 Stainless Steel	Closed	43.30
	2.126	5.906	0.157	1.520			1.181			1.705
# CS-5400-2300-40-S2-C	54.00	230.0	4.00	55.40	355.35	2.04	42.00	302 Stainless Steel	Closed	43.30
	2.126	9.055	0.157	2.181			1.654			1.705

Indicates item not stocked at time of printing - Please enquire for lead time

Page 69 of 71

E&OE Pricing and all details subject to change without notice - Copyright Miniature Bearings Australia Pty Ltd
MBA Size Listings are a guide to sizes only and must not be solely relied on for critical design information.

Springs - Compression - Standard - Stainless Steel

Part Number	Spring OD (D0) mm	Free Length (L0) mm	Wire Diameter (d) mm	Loaded Height (L1) mm	Load at L1 N	Rate (P/f) N/mm	Solid Height (Sh) mm	Material	End Type	Max Rod Dia. (A) mm
	<i>inches</i>	<i>inches</i>	<i>inches</i>	<i>inches</i>			<i>inches</i>			<i>inches</i>
# CS-5400-3350-40-S2-C	54.00	335.0	4.00	77.80	355.35	1.39	58.00	302 Stainless Steel	Closed	43.30
	<i>2.126</i>	<i>13.189</i>	<i>0.157</i>	<i>3.063</i>			<i>2.283</i>			<i>1.705</i>
# CS-5400-4900-40-S2-C	54.00	490.0	4.00	111.00	355.35	0.94	82.00	302 Stainless Steel	Closed	43.30
	<i>2.126</i>	<i>19.291</i>	<i>0.157</i>	<i>4.370</i>			<i>3.228</i>			<i>1.705</i>
# CS-5500-0850-50-S2-C	55.00	85.0	5.00	30.90	653.51	12.09	27.50	302 Stainless Steel	Closed	42.25
	<i>2.165</i>	<i>3.346</i>	<i>0.197</i>	<i>1.217</i>			<i>1.083</i>			<i>1.663</i>
# CS-5500-1300-50-S2-C	55.00	130.0	5.00	43.20	653.51	7.71	37.50	302 Stainless Steel	Closed	42.25
	<i>2.165</i>	<i>5.118</i>	<i>0.197</i>	<i>1.701</i>			<i>1.476</i>			<i>1.663</i>
# CS-5500-1950-50-S2-C	55.00	195.0	5.00	61.60	653.51	4.98	52.50	302 Stainless Steel	Closed	42.25
	<i>2.165</i>	<i>7.677</i>	<i>0.197</i>	<i>2.425</i>			<i>2.067</i>			<i>1.663</i>
# CS-5500-2800-50-S2-C	55.00	280.0	5.00	86.10	653.51	3.39	72.50	302 Stainless Steel	Closed	42.25
	<i>2.165</i>	<i>11.024</i>	<i>0.197</i>	<i>3.390</i>			<i>2.854</i>			<i>1.663</i>
# CS-5500-4100-50-S2-C	55.00	410.0	5.00	123.00	653.51	2.29	102.50	302 Stainless Steel	Closed	42.25
	<i>2.165</i>	<i>16.142</i>	<i>0.197</i>	<i>4.843</i>			<i>4.035</i>			<i>1.663</i>
# CS-6800-1200-50-S2-C	68.00	120.0	5.00	32.30	518.73	6.06	27.50	302 Stainless Steel	Closed	54.60
	<i>2.677</i>	<i>4.724</i>	<i>0.197</i>	<i>1.272</i>			<i>1.083</i>			<i>2.150</i>

Indicates item not stocked at time of printing - Please enquire for lead time

Page 70 of 71

E&OE Pricing and all details subject to change without notice - Copyright Miniature Bearings Australia Pty Ltd
MBA Size Listings are a guide to sizes only and must not be solely relied on for critical design information.

Springs - Compression - Standard - Stainless Steel

Part Number	Spring OD (D0) mm	Free Length (L0) mm	Wire Diameter (d) mm	Loaded Height (L1) mm	Load at L1 N	Rate (P/f) N/mm	Solid Height (Sh) mm	Material	End Type	Max Rod Dia. (A) mm
	<i>inches</i>	<i>inches</i>	<i>inches</i>	<i>inches</i>			<i>inches</i>			<i>inches</i>
# CS-6800-1800-50-S2-C	68.00	180.0	5.00	45.30	518.73	3.86	37.50	302 Stainless Steel	Closed	54.60
	<i>2.677</i>	<i>7.087</i>	<i>0.197</i>	<i>1.783</i>			<i>1.476</i>			<i>2.150</i>
# CS-6800-2750-50-S2-C	68.00	275.0	5.00	64.80	518.73	2.49	52.50	302 Stainless Steel	Closed	54.60
	<i>2.677</i>	<i>10.827</i>	<i>0.197</i>	<i>2.551</i>			<i>2.067</i>			<i>2.150</i>
# CS-6800-3950-50-S2-C	68.00	395.0	5.00	90.80	518.73	1.69	72.50	302 Stainless Steel	Closed	54.60
	<i>2.677</i>	<i>15.551</i>	<i>0.197</i>	<i>3.575</i>			<i>2.854</i>			<i>2.150</i>
# CS-6800-5850-50-S2-C	68.00	585.0	5.00	130.00	518.73	1.14	102.50	302 Stainless Steel	Closed	54.60
	<i>2.677</i>	<i>23.031</i>	<i>0.197</i>	<i>5.118</i>			<i>4.035</i>			<i>2.150</i>

Indicates item not stocked at time of printing - Please enquire for lead time

Page 71 of 71

E&OE Pricing and all details subject to change without notice - Copyright Miniature Bearings Australia Pty Ltd
MBA Size Listings are a guide to sizes only and must not be solely relied on for critical design information.

DISTRIBUTED BY

Distributed By:

