



Springs - Compression - Standard - Steel

10/4/2018

Indicates item not stocked at time of printing - Please enquire for lead time

E&OE Pricing and all details subject to change without notice - Copyright Miniature Bearings Australia Pty Ltd

MBA Size Listings are a guide to sizes only and must not be solely relied on for critical design information.

Page 1 of 66

INFORMATION

Standard springs may or may not be supplied with ends ground flush.

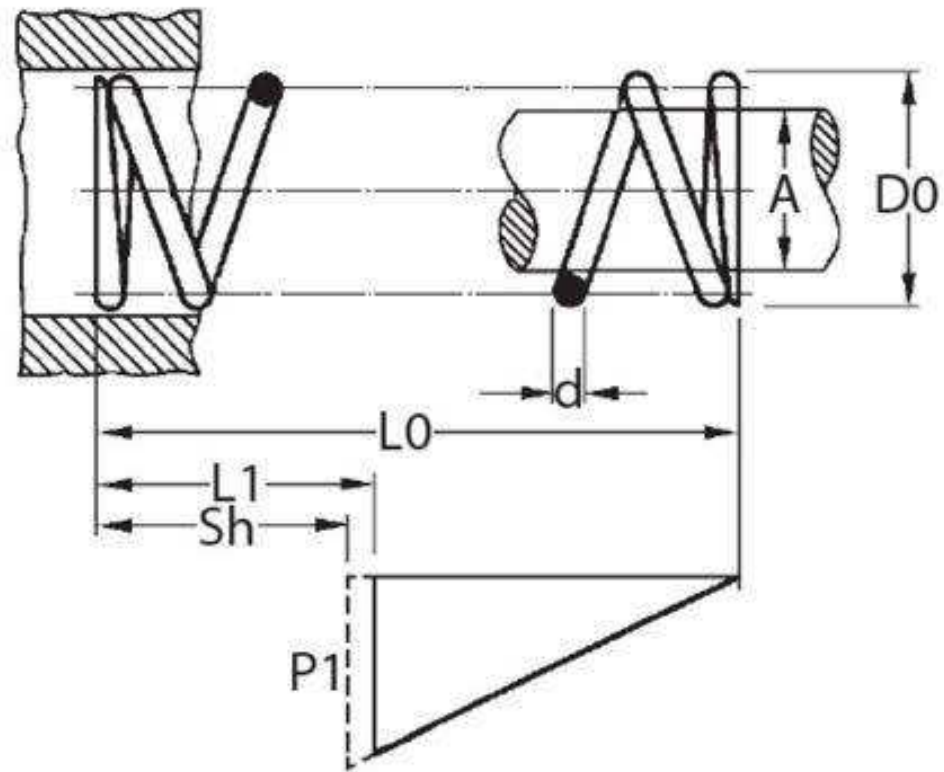
If the end type is important to your application please contact us for more information or a special quote.

This catalogue to be read in conjunction with information at <http://www.minibearings.com.au//partslist/shockabsorbers/springs/all/1/>
<http://www.minibearings.com.au//partslist/springscompressionstandardstainlesssteel/>

Indicates item not stocked at time of printing - Please enquire for lead time

E&OE Pricing and all details subject to change without notice - Copyright Miniature Bearings Australia Pty Ltd

MBA Size Listings are a guide to sizes only and must not be solely relied on for critical design information.



Indicates item not stocked at time of printing - Please enquire for lead time

E&OE Pricing and all details subject to change without notice - Copyright Miniature Bearings Australia Pty Ltd

MBA Size Listings are a guide to sizes only and must not be solely relied on for critical design information.

Springs - Compression - Standard - Steel

Part Number	Spring OD (D0) mm <i>inches</i>	Free Length (L0) mm <i>inches</i>	Wire Diameter (d) mm <i>inches</i>	Loaded Height (L1) mm <i>inches</i>	Load at L1 N	Rate (P/f) N/mm	Solid Height (Sh) mm <i>inches</i>	Material	End Type
CS-0224-0064-02-M-C	2.24 <i>0.088</i>	6.4 <i>0.252</i>	0.25 <i>0.010</i>	-	-	-	-	Spring Steel	Closed
# CS-0224-0064-03-M-C	2.24 <i>0.088</i>	6.4 <i>0.252</i>	0.30 <i>0.012</i>	-	-	-	-	Spring Steel	Closed
# CS-0224-0127-02-M-C	2.24 <i>0.088</i>	12.7 <i>0.500</i>	0.25 <i>0.010</i>	-	-	-	-	Spring Steel	Closed
# CS-0224-0127-03-M-C	2.24 <i>0.088</i>	12.7 <i>0.500</i>	0.30 <i>0.012</i>	-	-	-	-	Spring Steel	Closed
# CS-0224-0191-02-M-C	2.24 <i>0.088</i>	19.1 <i>0.752</i>	0.25 <i>0.010</i>	-	-	-	-	Spring Steel	Closed
# CS-0224-0191-03-M-C	2.24 <i>0.088</i>	19.1 <i>0.752</i>	0.30 <i>0.012</i>	-	-	-	-	Spring Steel	Closed
# CS-0238-0413-05-M-C	2.38 <i>0.094</i>	41.3 <i>1.626</i>	0.45 <i>0.018</i>	-	-	1.490	18.540 <i>0.730</i>	Spring Steel	Closed
# CS-0238-2540-03-M	2.38 <i>0.094</i>	254.0 <i>10.000</i>	0.25 <i>0.010</i>	-	-	-	-	Spring Steel	Open
# CS-0238-2540-04-M	2.38 <i>0.094</i>	254.0 <i>10.000</i>	0.36 <i>0.014</i>	-	-	-	-	Spring Steel	Open
CS-0305-0191-04-M-C	3.05 <i>0.120</i>	19.1 <i>0.752</i>	0.36 <i>0.014</i>	-	-	0.595	5.970 <i>0.235</i>	Spring Steel	Closed

Indicates item not stocked at time of printing - Please enquire for lead time

Page 4 of 66

E&OE Pricing and all details subject to change without notice - Copyright Miniature Bearings Australia Pty Ltd
MBA Size Listings are a guide to sizes only and must not be solely relied on for critical design information.

Springs - Compression - Standard - Steel

Part Number	Spring OD (D0) mm <i>inches</i>	Free Length (L0) mm <i>inches</i>	Wire Diameter (d) mm <i>inches</i>	Loaded Height (L1) mm <i>inches</i>	Load at L1 N	Rate (P/f) N/mm	Solid Height (Sh) mm <i>inches</i>	Material	End Type
# CS-0305-0191-05-M-C	3.05 <i>0.120</i>	19.1 <i>0.752</i>	0.46 <i>0.018</i>			1.489	9.120 <i>0.359</i>	Spring Steel	Closed
# CS-0305-0191-06-M-C	3.05 <i>0.120</i>	19.1 <i>0.752</i>	0.56 <i>0.022</i>			3.540	11.710 <i>0.461</i>	Spring Steel	Closed
# CS-0305-0318-04-M-C	3.05 <i>0.120</i>	31.8 <i>1.252</i>	0.36 <i>0.014</i>			0.350	9.350 <i>0.368</i>	Spring Steel	Closed
# CS-0305-0318-05-M-C	3.05 <i>0.120</i>	31.8 <i>1.252</i>	0.46 <i>0.018</i>			0.893	14.200 <i>0.559</i>	Spring Steel	Closed
# CS-0305-0318-06-M-C	3.05 <i>0.120</i>	31.8 <i>1.252</i>	0.56 <i>0.022</i>			2.050	18.770 <i>0.739</i>	Spring Steel	Closed
# CS-0305-0381-04-M-C	3.05 <i>0.120</i>	38.1 <i>1.500</i>	0.36 <i>0.014</i>			0.298	11.020 <i>0.434</i>	Spring Steel	Closed
# CS-0305-0127-03-M-C	3.05 <i>0.120</i>	12.7 <i>0.500</i>	0.30 <i>0.012</i>	-	-	-	-	Spring Steel	Closed
# CS-0305-0127-036-M-C	3.05 <i>0.120</i>	12.7 <i>0.500</i>	0.36 <i>0.014</i>	-	-	-	-	Spring Steel	Closed
# CS-0305-0127-04-M-C	3.05 <i>0.120</i>	12.7 <i>0.500</i>	0.41 <i>0.016</i>	-	-	-	-	Spring Steel	Closed
CS-0305-0127-046-M-C	3.05 <i>0.120</i>	12.7 <i>0.500</i>	0.46 <i>0.018</i>	-	-	-	-	Spring Steel	Closed

Indicates item not stocked at time of printing - Please enquire for lead time

E&OE Pricing and all details subject to change without notice - Copyright Miniature Bearings Australia Pty Ltd

MBA Size Listings are a guide to sizes only and must not be solely relied on for critical design information.

Springs - Compression - Standard - Steel

Part Number	Spring OD (D0) mm <i>inches</i>	Free Length (L0) mm <i>inches</i>	Wire Diameter (d) mm <i>inches</i>	Loaded Height (L1) mm <i>inches</i>	Load at L1 N	Rate (P/f) N/mm	Solid Height (Sh) mm <i>inches</i>	Material	End Type
# CS-0305-0127-05-M-C	3.05 <i>0.120</i>	12.7 <i>0.500</i>	0.51 <i>0.020</i>	-	-	-	-	Spring Steel	Closed
CS-0305-0127-06-M-C	3.05 <i>0.120</i>	12.7 <i>0.500</i>	0.56 <i>0.022</i>	-	-	-	-	Spring Steel	Closed
# CS-0305-0254-03-M-C	3.05 <i>0.120</i>	25.4 <i>1.000</i>	0.30 <i>0.012</i>	-	-	-	-	Spring Steel	Closed
# CS-031-025-036-M-C	3.05 <i>0.120</i>	25.4 <i>1.000</i>	0.36 <i>0.014</i>	-	-	-	-	Spring Steel	Closed
# CS-0305-0254-04-M-C	3.05 <i>0.120</i>	25.4 <i>1.000</i>	0.41 <i>0.016</i>	-	-	-	-	Spring Steel	Closed
# CS-0305-0254-05-M-C	3.05 <i>0.120</i>	25.4 <i>1.000</i>	0.46 <i>0.018</i>	-	-	-	-	Spring Steel	Closed
CS-0305-0254-06-M-C	3.05 <i>0.120</i>	25.4 <i>1.000</i>	0.56 <i>0.022</i>	-	-	-	-	Spring Steel	Closed
# CS-0305-0381-05-M-C	3.05 <i>0.120</i>	38.1 <i>1.500</i>	0.46 <i>0.018</i>	-	-	-	-	Spring Steel	Closed
# CS-0305-0381-06-M-C	3.05 <i>0.120</i>	38.1 <i>1.500</i>	0.56 <i>0.022</i>	-	-	-	-	Spring Steel	Closed
# CS-0318-0254-04-M-C	3.18 <i>0.125</i>	25.4 <i>1.000</i>	0.36 <i>0.014</i>	-	-	0.450	6.860 <i>0.270</i>	Spring Steel	Closed

Indicates item not stocked at time of printing - Please enquire for lead time

Page 6 of 66

E&OE Pricing and all details subject to change without notice - Copyright Miniature Bearings Australia Pty Ltd
MBA Size Listings are a guide to sizes only and must not be solely relied on for critical design information.

Springs - Compression - Standard - Steel

Part Number	Spring OD (D0) mm <i>inches</i>	Free Length (L0) mm <i>inches</i>	Wire Diameter (d) mm <i>inches</i>	Loaded Height (L1) mm <i>inches</i>	Load at L1 N	Rate (P/f) N/mm	Solid Height (Sh) mm <i>inches</i>	Material	End Type
# CS-0318-2540-03-M	3.18 <i>0.125</i>	254.0 <i>10.000</i>	0.30 <i>0.012</i>	-	-	-	-	Spring Steel	Open
# CS-0318-2540-04-M	3.18 <i>0.125</i>	254.0 <i>10.000</i>	0.41 <i>0.016</i>	-	-	-	-	Spring Steel	Open
CS-0376-0127-03-M-C	3.76 <i>0.148</i>	12.7 <i>0.500</i>	0.36 <i>0.014</i>	-	-	-	-	Spring Steel	Closed
# CS-0376-0127-04-M-C	3.76 <i>0.148</i>	12.7 <i>0.500</i>	0.41 <i>0.016</i>	-	-	-	-	Spring Steel	Closed
CS-0376-0127-04H-M-C	3.76 <i>0.148</i>	12.7 <i>0.500</i>	0.46 <i>0.018</i>	-	-	-	-	Spring Steel	Closed
# CS-0376-0127-05-M-C	3.76 <i>0.148</i>	12.7 <i>0.500</i>	0.51 <i>0.020</i>	-	-	-	-	Spring Steel	Closed
CS-0376-0127-06-M-C	3.76 <i>0.148</i>	12.7 <i>0.500</i>	0.58 <i>0.023</i>	-	-	-	-	Spring Steel	Closed
# CS-0376-0254-03-M-C	3.76 <i>0.148</i>	25.4 <i>1.000</i>	0.36 <i>0.014</i>	-	-	-	-	Spring Steel	Closed
# CS-0376-0254-04-M-C	3.76 <i>0.148</i>	25.4 <i>1.000</i>	0.41 <i>0.016</i>	-	-	-	-	Spring Steel	Closed
# CS-0376-0254-05-M-C	3.76 <i>0.148</i>	25.4 <i>1.000</i>	0.51 <i>0.020</i>	-	-	-	-	Spring Steel	Closed

Indicates item not stocked at time of printing - Please enquire for lead time

Page 7 of 66

E&OE Pricing and all details subject to change without notice - Copyright Miniature Bearings Australia Pty Ltd
MBA Size Listings are a guide to sizes only and must not be solely relied on for critical design information.

Springs - Compression - Standard - Steel

Part Number	Spring OD (D0) mm <i>inches</i>	Free Length (L0) mm <i>inches</i>	Wire Diameter (d) mm <i>inches</i>	Loaded Height (L1) mm <i>inches</i>	Load at L1 N	Rate (P/f) N/mm	Solid Height (Sh) mm <i>inches</i>	Material	End Type
CS-0376-0254-06-M-C	3.76 <i>0.148</i>	25.4 <i>1.000</i>	0.64 <i>0.025</i>	-	-	-	-	Spring Steel	Closed
# CS-0376-0381-03-M-C	3.76 <i>0.148</i>	38.1 <i>1.500</i>	0.36 <i>0.014</i>	-	-	-	-	Spring Steel	Closed
CS-0376-0381-04-M-C	3.76 <i>0.148</i>	38.1 <i>1.500</i>	0.41 <i>0.016</i>	-	-	-	-	Spring Steel	Closed
# CS-0376-0381-05-M-C	3.76 <i>0.148</i>	38.1 <i>1.500</i>	0.51 <i>0.020</i>	-	-	-	-	Spring Steel	Closed
# CS-0376-0381-06-M-C	3.76 <i>0.148</i>	38.1 <i>1.500</i>	0.58 <i>0.023</i>	-	-	-	-	Spring Steel	Closed
CS-0376-0381-07-M-C	3.76 <i>0.148</i>	38.1 <i>1.500</i>	0.64 <i>0.025</i>	-	-	-	-	Spring Steel	Closed
CS-0396-0318-09-Z	3.96 <i>0.156</i>	31.8 <i>1.252</i>	0.90 <i>0.035</i>	-	-	-	-	Spring Steel Zinc Plated	Open
# CS-0397-0111-07-M-C	3.97 <i>0.156</i>	11.1 <i>0.437</i>	0.71 <i>0.028</i>	-	-	9.800	7.370 <i>0.290</i>	Spring Steel	Closed
CS-0397-0127-04-M-C	3.97 <i>0.156</i>	12.7 <i>0.500</i>	0.36 <i>0.014</i>	-	-	0.460	3.810 <i>0.150</i>	Spring Steel	Closed
# CS-0397-0254-04-M-C	3.97 <i>0.156</i>	25.4 <i>1.000</i>	0.36 <i>0.014</i>	-	-	0.240	6.100 <i>0.240</i>	Spring Steel	Closed

Indicates item not stocked at time of printing - Please enquire for lead time

Page 8 of 66

E&OE Pricing and all details subject to change without notice - Copyright Miniature Bearings Australia Pty Ltd
MBA Size Listings are a guide to sizes only and must not be solely relied on for critical design information.

Springs - Compression - Standard - Steel

Part Number	Spring OD (D0) mm <i>inches</i>	Free Length (L0) mm <i>inches</i>	Wire Diameter (d) mm <i>inches</i>	Loaded Height (L1) mm <i>inches</i>	Load at L1 N	Rate (P/f) N/mm	Solid Height (Sh) mm <i>inches</i>	Material	End Type
# CS-0397-0254-07-M-C	3.97 <i>0.156</i>	25.4 <i>1.000</i>	0.71 <i>0.028</i>			4.620	13.460 <i>0.530</i>	Spring Steel	Closed
# CS-0457-0127-03-M-C	4.57 <i>0.180</i>	12.7 <i>0.500</i>	0.36 <i>0.014</i>	-	-	-	-	Spring Steel	Closed
# CS-0457-0127-04-M-C	4.57 <i>0.180</i>	12.7 <i>0.500</i>	0.41 <i>0.016</i>	-	-	-	-	Spring Steel	Closed
# CS-0457-0127-04H-M-C	4.57 <i>0.180</i>	12.7 <i>0.500</i>	0.46 <i>0.018</i>	-	-	-	-	Spring Steel	Closed
# CS-0457-0127-05-M-C	4.57 <i>0.180</i>	12.7 <i>0.500</i>	0.51 <i>0.020</i>	-	-	-	-	Spring Steel	Closed
# CS-0457-0127-06-M-C	4.57 <i>0.180</i>	12.7 <i>0.500</i>	0.58 <i>0.023</i>	-	-	-	-	Spring Steel	Closed
# CS-0457-0127-07-M-C	4.57 <i>0.180</i>	12.7 <i>0.500</i>	0.71 <i>0.028</i>	-	-	-	-	Spring Steel	Closed
# CS-0457-0127-08-M-C	4.57 <i>0.180</i>	12.7 <i>0.500</i>	0.79 <i>0.031</i>	-	-	-	-	Spring Steel	Closed
# CS-0457-0127-64-M-C	4.57 <i>0.180</i>	12.7 <i>0.500</i>	6.35 <i>0.250</i>	-	-	-	-	Spring Steel	Closed
# CS-0457-0254-03-M-C	4.57 <i>0.180</i>	25.4 <i>1.000</i>	0.36 <i>0.014</i>	-	-	-	-	Spring Steel	Closed

Indicates item not stocked at time of printing - Please enquire for lead time

Page 9 of 66

E&OE Pricing and all details subject to change without notice - Copyright Miniature Bearings Australia Pty Ltd

MBA Size Listings are a guide to sizes only and must not be solely relied on for critical design information.

Springs - Compression - Standard - Steel

Part Number	Spring OD (D0) mm <i>inches</i>	Free Length (L0) mm <i>inches</i>	Wire Diameter (d) mm <i>inches</i>	Loaded Height (L1) mm <i>inches</i>	Load at L1 N	Rate (P/f) N/mm	Solid Height (Sh) mm <i>inches</i>	Material	End Type
# CS-0457-0254-04-M-C	4.57 <i>0.180</i>	25.4 <i>1.000</i>	0.41 <i>0.016</i>	-	-	-	-	Spring Steel	Closed
# CS-0457-0254-04H-M-C	4.57 <i>0.180</i>	25.4 <i>1.000</i>	0.46 <i>0.018</i>	-	-	-	-	Spring Steel	Closed
# CS-0457-0254-05-M-C	4.57 <i>0.180</i>	25.4 <i>1.000</i>	0.51 <i>0.020</i>	-	-	-	-	Spring Steel	Closed
# CS-046-025-06-M-C	4.57 <i>0.180</i>	25.4 <i>1.000</i>	0.58 <i>0.023</i>	-	-	-	-	Spring Steel	Closed
# CS-0457-0254-06-M-C	4.57 <i>0.180</i>	25.4 <i>1.000</i>	0.64 <i>0.025</i>	-	-	-	-	Spring Steel	Closed
# CS-0457-0254-07-M-C	4.57 <i>0.180</i>	25.4 <i>1.000</i>	0.71 <i>0.028</i>	-	-	-	-	Spring Steel	Closed
# CS-0457-0254-08-M-C	4.57 <i>0.180</i>	25.4 <i>1.000</i>	0.79 <i>0.031</i>	-	-	-	-	Spring Steel	Closed
# CS-0457-0381-03-M-C	4.57 <i>0.180</i>	38.1 <i>1.500</i>	0.36 <i>0.014</i>	-	-	-	-	Spring Steel	Closed
# CS-0457-0381-04-M-C	4.57 <i>0.180</i>	38.1 <i>1.500</i>	0.46 <i>0.018</i>	-	-	-	-	Spring Steel	Closed
# CS-0457-0381-05-M-C	4.57 <i>0.180</i>	38.1 <i>1.500</i>	0.58 <i>0.023</i>	-	-	-	-	Spring Steel	Closed

Indicates item not stocked at time of printing - Please enquire for lead time

Page 10 of 66

E&OE Pricing and all details subject to change without notice - Copyright Miniature Bearings Australia Pty Ltd
MBA Size Listings are a guide to sizes only and must not be solely relied on for critical design information.

Springs - Compression - Standard - Steel

Part Number	Spring OD (D0) mm <i>inches</i>	Free Length (L0) mm <i>inches</i>	Wire Diameter (d) mm <i>inches</i>	Loaded Height (L1) mm <i>inches</i>	Load at L1 N	Rate (P/f) N/mm	Solid Height (Sh) mm <i>inches</i>	Material	End Type
# CS-0457-0381-06-M-C	4.57 <i>0.180</i>	38.1 <i>1.500</i>	0.64 <i>0.025</i>	-	-	-	-	Spring Steel	Closed
# CS-0457-0381-07-M-C	4.57 <i>0.180</i>	38.1 <i>1.500</i>	0.71 <i>0.028</i>	-	-	-	-	Spring Steel	Closed
# CS-0457-0381-08-M-C	4.57 <i>0.180</i>	38.1 <i>1.500</i>	0.79 <i>0.031</i>	-	-	-	-	Spring Steel	Closed
# CS-0457-0381-51-M-C	4.57 <i>0.180</i>	38.1 <i>1.500</i>	5.08 <i>0.200</i>	-	-	-	-	Spring Steel	Closed
# CS-0457-0191-04-M-C	4.57 <i>0.180</i>	19.1 <i>0.752</i>	0.36 <i>0.014</i>			0.330	2.330 <i>0.092</i>	Spring Steel	Closed
# CS-0457-0191-05-M-C	4.57 <i>0.180</i>	19.1 <i>0.752</i>	0.46 <i>0.018</i>			0.718	5.260 <i>0.207</i>	Spring Steel	Closed
# CS-0457-0191-06-M-C	4.57 <i>0.180</i>	19.1 <i>0.752</i>	0.56 <i>0.022</i>			1.524	7.110 <i>0.280</i>	Spring Steel	Closed
# CS-0457-0191-08-M-C	4.57 <i>0.180</i>	19.1 <i>0.752</i>	0.79 <i>0.031</i>			7.230	11.580 <i>0.456</i>	Spring Steel	Closed
# CS-0457-0318-04-M-C	4.57 <i>0.180</i>	31.8 <i>1.252</i>	0.36 <i>0.014</i>			0.193	4.850 <i>0.191</i>	Spring Steel	Closed
# CS-0457-0318-05-M-C	4.57 <i>0.180</i>	31.8 <i>1.252</i>	0.46 <i>0.018</i>			0.455	7.700 <i>0.303</i>	Spring Steel	Closed

Indicates item not stocked at time of printing - Please enquire for lead time

Page 11 of 66

E&OE Pricing and all details subject to change without notice - Copyright Miniature Bearings Australia Pty Ltd
MBA Size Listings are a guide to sizes only and must not be solely relied on for critical design information.

Springs - Compression - Standard - Steel

Part Number	Spring OD (D0) mm <i>inches</i>	Free Length (L0) mm <i>inches</i>	Wire Diameter (d) mm <i>inches</i>	Loaded Height (L1) mm <i>inches</i>	Load at L1 N	Rate (P/f) N/mm	Solid Height (Sh) mm <i>inches</i>	Material	End Type
# CS-0457-0318-06-M-C	4.57 <i>0.180</i>	31.8 <i>1.252</i>	0.56 <i>0.022</i>			0.911	10.920 <i>0.430</i>	Spring Steel	Closed
# CS-0457-0318-08-M-C	4.57 <i>0.180</i>	31.8 <i>1.252</i>	0.79 <i>0.031</i>			3.990	19.000 <i>0.748</i>	Spring Steel	Closed
CS-0457-0508-06-M-C	4.57 <i>0.180</i>	50.8 <i>2.000</i>	0.64 <i>0.025</i>			1.033	21.970 <i>0.865</i>	Spring Steel	Closed
CS-0457-0508-08-M-C	4.57 <i>0.180</i>	50.8 <i>2.000</i>	0.79 <i>0.031</i>			2.450	29.460 <i>1.160</i>	Spring Steel	Closed
CS-0476-0254-05-M-C	4.76 <i>0.187</i>	25.4 <i>1.000</i>	0.45 <i>0.018</i>			0.380	7.370 <i>0.290</i>	Spring Steel	Closed
# CS-0476-0254-07-M-C	4.76 <i>0.187</i>	25.4 <i>1.000</i>	0.71 <i>0.028</i>			2.570	12.950 <i>0.510</i>	Spring Steel	Closed
CS-0476-2540-04-M	4.76 <i>0.187</i>	254.0 <i>10.000</i>	0.36 <i>0.014</i>	-	-	-	-	Spring Steel	Open
CS-0476-2540-05-M	4.76 <i>0.187</i>	254.0 <i>10.000</i>	0.46 <i>0.018</i>	-	-	-	-	Spring Steel	Open
# CS-0476-2540-06-M	4.76 <i>0.187</i>	254.0 <i>10.000</i>	0.64 <i>0.025</i>	-	-	-	-	Spring Steel	Open
CS-0478-0222-04-Z	4.78 <i>0.188</i>	22.2 <i>0.874</i>	0.40 <i>0.016</i>	-	-	-	-	Spring Steel Zinc Plated	Open

Indicates item not stocked at time of printing - Please enquire for lead time

Page 12 of 66

E&OE Pricing and all details subject to change without notice - Copyright Miniature Bearings Australia Pty Ltd

MBA Size Listings are a guide to sizes only and must not be solely relied on for critical design information.

Springs - Compression - Standard - Steel

Part Number	Spring OD (D0) mm <i>inches</i>	Free Length (L0) mm <i>inches</i>	Wire Diameter (d) mm <i>inches</i>	Loaded Height (L1) mm <i>inches</i>	Load at L1 N	Rate (P/f) N/mm	Solid Height (Sh) mm <i>inches</i>	Material	End Type
CS-0478-0349-04-Z	4.78 <i>0.188</i>	34.9 <i>1.374</i>	0.40 <i>0.016</i>	-	-	-	-	Spring Steel Zinc Plated	Open
CS-0478-0445-03-Z	4.78 <i>0.188</i>	44.5 <i>1.752</i>	0.33 <i>0.013</i>	-	-	-	-	Spring Steel Zinc Plated	Open
CS-0478-0445-04-Z	4.78 <i>0.188</i>	44.5 <i>1.752</i>	0.40 <i>0.016</i>	-	-	-	-	Spring Steel Zinc Plated	Open
CS-0478-0445-07-Z	4.78 <i>0.188</i>	44.5 <i>1.752</i>	0.70 <i>0.028</i>	-	-	-	-	Spring Steel Zinc Plated	Open
CS-0533-0127-05-M-C	5.33 <i>0.210</i>	12.7 <i>0.500</i>	0.46 <i>0.018</i>	-	-	-	-	Spring Steel	Closed
CS-0533-0127-06-M-C	5.33 <i>0.210</i>	12.7 <i>0.500</i>	0.58 <i>0.023</i>	-	-	-	-	Spring Steel	Closed
# CS-0533-0254-04-M-C	5.33 <i>0.210</i>	25.4 <i>1.000</i>	0.46 <i>0.018</i>	-	-	-	-	Spring Steel	Closed
# CS-0533-0254-05-M-C	5.33 <i>0.210</i>	25.4 <i>1.000</i>	0.51 <i>0.020</i>	-	-	-	-	Spring Steel	Closed
# CS-0533-0254-07-M-C	5.33 <i>0.210</i>	25.4 <i>1.000</i>	0.71 <i>0.028</i>	-	-	-	-	Spring Steel	Closed

Indicates item not stocked at time of printing - Please enquire for lead time

Page 13 of 66

E&OE Pricing and all details subject to change without notice - Copyright Miniature Bearings Australia Pty Ltd
MBA Size Listings are a guide to sizes only and must not be solely relied on for critical design information.

Springs - Compression - Standard - Steel

Part Number	Spring OD (D0) mm <i>inches</i>	Free Length (L0) mm <i>inches</i>	Wire Diameter (d) mm <i>inches</i>	Loaded Height (L1) mm <i>inches</i>	Load at L1 N	Rate (P/f) N/mm	Solid Height (Sh) mm <i>inches</i>	Material	End Type
# CS-0533-0381-05-M-C	5.33 <i>0.210</i>	38.1 <i>1.500</i>	0.46 <i>0.018</i>	-	-	-	-	Spring Steel	Closed
# CS-0533-0381-71-M-C	5.33 <i>0.210</i>	38.1 <i>1.500</i>	7.11 <i>0.280</i>	-	-	-	-	Spring Steel	Closed
# CS-0556-0191-05-M-C	5.56 <i>0.219</i>	19.1 <i>0.752</i>	0.45 <i>0.018</i>	-	-	0.340	5.590 <i>0.220</i>	Spring Steel	Closed
CS-0556-0254-05-Z	5.56 <i>0.219</i>	25.4 <i>1.000</i>	0.51 <i>0.020</i>	-	11.57	-	5.969 <i>0.235</i>	Zinc Plated Spring Steel	
CS-0556-0349-05-Z	5.56 <i>0.219</i>	34.9 <i>1.374</i>	0.51 <i>0.020</i>	-	11.57	-	7.747 <i>0.305</i>	Zinc Plated Spring Steel	
# CS-0556-0349-04-M-C	5.56 <i>0.219</i>	34.9 <i>1.374</i>	0.36 <i>0.014</i>	-	-	0.070	6.680 <i>0.263</i>	Spring Steel	Closed
CS-0556-0349-06-M-C	5.56 <i>0.219</i>	34.9 <i>1.374</i>	0.56 <i>0.022</i>	-	-	0.490	10.670 <i>0.420</i>	Spring Steel	Closed
CS-0556-0349-07-M-C	5.56 <i>0.219</i>	34.9 <i>1.374</i>	0.71 <i>0.028</i>	-	-	1.160	16.000 <i>0.630</i>	Spring Steel	Closed
CS-0556-0445-05-M-C	5.56 <i>0.219</i>	44.5 <i>1.752</i>	0.45 <i>0.018</i>	-	-	0.140	11.180 <i>0.440</i>	Spring Steel	Closed
# CS-0610-0191-05-M-C	6.10 <i>0.240</i>	19.1 <i>0.752</i>	0.51 <i>0.020</i>	-	-	0.736	4.170 <i>0.164</i>	Spring Steel	Closed

Indicates item not stocked at time of printing - Please enquire for lead time

Page 14 of 66

E&OE Pricing and all details subject to change without notice - Copyright Miniature Bearings Australia Pty Ltd
MBA Size Listings are a guide to sizes only and must not be solely relied on for critical design information.

Springs - Compression - Standard - Steel

Part Number	Spring OD (D0) mm <i>inches</i>	Free Length (L0) mm <i>inches</i>	Wire Diameter (d) mm <i>inches</i>	Loaded Height (L1) mm <i>inches</i>	Load at L1 N	Rate (P/f) N/mm	Solid Height (Sh) mm <i>inches</i>	Material	End Type
# CS-0610-0191-06-M-C	6.10 <i>0.240</i>	19.1 <i>0.752</i>	0.64 <i>0.025</i>			1.331	5.610 <i>0.221</i>	Spring Steel	Closed
# CS-0610-0191-07-M-C	6.10 <i>0.240</i>	19.1 <i>0.752</i>	0.71 <i>0.028</i>			2.610	7.570 <i>0.298</i>	Spring Steel	Closed
# CS-0610-0191-08-M-C	6.10 <i>0.240</i>	19.1 <i>0.752</i>	0.79 <i>0.031</i>			3.840	8.510 <i>0.335</i>	Spring Steel	Closed
CS-0610-0191-09-M-C	6.10 <i>0.240</i>	19.1 <i>0.752</i>	0.89 <i>0.035</i>			5.380	9.930 <i>0.391</i>	Spring Steel	Closed
# CS-0610-0191-10-M-C	6.10 <i>0.240</i>	19.1 <i>0.752</i>	0.99 <i>0.039</i>			9.370	11.790 <i>0.464</i>	Spring Steel	Closed
# CS-0610-0508-05-M-C	6.10 <i>0.240</i>	50.8 <i>2.000</i>	0.51 <i>0.020</i>			0.263	8.790 <i>0.346</i>	Spring Steel	Closed
# CS-0610-0508-06-M-C	6.10 <i>0.240</i>	50.8 <i>2.000</i>	0.64 <i>0.025</i>			0.473	12.320 <i>0.485</i>	Spring Steel	Closed
CS-0610-0508-07-M-C	6.10 <i>0.240</i>	50.8 <i>2.000</i>	0.71 <i>0.028</i>			0.928	17.220 <i>0.678</i>	Spring Steel	Closed
CS-0610-0508-08-M-C	6.10 <i>0.240</i>	50.8 <i>2.000</i>	0.79 <i>0.031</i>			1.331	20.240 <i>0.797</i>	Spring Steel	Closed
# CS-0610-0508-09-M-C	6.10 <i>0.240</i>	50.8 <i>2.000</i>	0.89 <i>0.035</i>			1.891	23.270 <i>0.916</i>	Spring Steel	Closed

Indicates item not stocked at time of printing - Please enquire for lead time

Page 15 of 66

E&OE Pricing and all details subject to change without notice - Copyright Miniature Bearings Australia Pty Ltd
MBA Size Listings are a guide to sizes only and must not be solely relied on for critical design information.

Springs - Compression - Standard - Steel

Part Number	Spring OD (D0) mm <i>inches</i>	Free Length (L0) mm <i>inches</i>	Wire Diameter (d) mm <i>inches</i>	Loaded Height (L1) mm <i>inches</i>	Load at L1 N	Rate (P/f) N/mm	Solid Height (Sh) mm <i>inches</i>	Material	End Type
# CS-0610-0508-10-M-C	6.10 <i>0.240</i>	50.8 <i>2.000</i>	0.99 <i>0.039</i>			3.270	28.090 <i>1.106</i>	Spring Steel	Closed
# CS-0610-0635-09-M-C	6.10 <i>0.240</i>	63.5 <i>2.500</i>	0.89 <i>0.035</i>			1.506	28.600 <i>1.126</i>	Spring Steel	Closed
CS-0610-0635-10-M-C	6.10 <i>0.240</i>	63.5 <i>2.500</i>	0.99 <i>0.039</i>			2.590	34.620 <i>1.363</i>	Spring Steel	Closed
# CS-0610-0127-04-M-C	6.10 <i>0.240</i>	12.7 <i>0.500</i>	0.46 <i>0.018</i>	-	-	-	-	Spring Steel	Closed
# CS-0610-0127-05-M-C	6.10 <i>0.240</i>	12.7 <i>0.500</i>	0.51 <i>0.020</i>	-	-	-	-	Spring Steel	Closed
# CS-0610-0127-05H-M-C	6.10 <i>0.240</i>	12.7 <i>0.500</i>	0.58 <i>0.023</i>	-	-	-	-	Spring Steel	Closed
# CS-0610-0127-06-M-C	6.10 <i>0.240</i>	12.7 <i>0.500</i>	0.64 <i>0.025</i>	-	-	-	-	Spring Steel	Closed
# CS-0610-0127-07-M-C	6.10 <i>0.240</i>	12.7 <i>0.500</i>	0.71 <i>0.028</i>	-	-	-	-	Spring Steel	Closed
# CS-0610-0127-07H-M-C	6.10 <i>0.240</i>	12.7 <i>0.500</i>	0.79 <i>0.031</i>	-	-	-	-	Spring Steel	Closed
# CS-0610-0127-08-M-C	6.10 <i>0.240</i>	12.7 <i>0.500</i>	0.89 <i>0.035</i>	-	-	-	-	Spring Steel	Closed

Indicates item not stocked at time of printing - Please enquire for lead time

Page 16 of 66

E&OE Pricing and all details subject to change without notice - Copyright Miniature Bearings Australia Pty Ltd
MBA Size Listings are a guide to sizes only and must not be solely relied on for critical design information.

Springs - Compression - Standard - Steel

Part Number	Spring OD (D0) mm <i>inches</i>	Free Length (L0) mm <i>inches</i>	Wire Diameter (d) mm <i>inches</i>	Loaded Height (L1) mm <i>inches</i>	Load at L1 N	Rate (P/f) N/mm	Solid Height (Sh) mm <i>inches</i>	Material	End Type
# CS-0610-0127-09-M-C	6.10 <i>0.240</i>	12.7 <i>0.500</i>	0.99 <i>0.039</i>	-	-	-	-	Spring Steel	Closed
# CS-0610-0127-10-M-C	6.10 <i>0.240</i>	12.7 <i>0.500</i>	1.04 <i>0.041</i>	-	-	-	-	Spring Steel	Closed
# CS-0610-0254-04-M-C	6.10 <i>0.240</i>	25.4 <i>1.000</i>	0.46 <i>0.018</i>	-	-	-	-	Spring Steel	Closed
# CS-0610-0254-05-M-C	6.10 <i>0.240</i>	25.4 <i>1.000</i>	0.51 <i>0.020</i>	-	-	-	-	Spring Steel	Closed
# CS-0610-0254-05H-M-C	6.10 <i>0.240</i>	25.4 <i>1.000</i>	0.58 <i>0.023</i>	-	-	-	-	Spring Steel	Closed
# CS-0610-0254-06-M-C	6.10 <i>0.240</i>	25.4 <i>1.000</i>	0.64 <i>0.025</i>	-	-	-	-	Spring Steel	Closed
CS-0610-0254-07-M-C	6.10 <i>0.240</i>	25.4 <i>1.000</i>	0.71 <i>0.028</i>	-	-	-	-	Spring Steel	Closed
CS-0610-0254-08-M-C	6.10 <i>0.240</i>	25.4 <i>1.000</i>	0.79 <i>0.031</i>	-	-	-	-	Spring Steel	Closed
CS-0610-0254-09-M-C	6.10 <i>0.240</i>	25.4 <i>1.000</i>	0.89 <i>0.035</i>	-	-	-	-	Spring Steel	Closed
CS-0610-0254-099-M-C	6.10 <i>0.240</i>	25.4 <i>1.000</i>	0.99 <i>0.039</i>	-	-	-	-	Spring Steel	Closed

Indicates item not stocked at time of printing - Please enquire for lead time

Page 17 of 66

E&OE Pricing and all details subject to change without notice - Copyright Miniature Bearings Australia Pty Ltd

MBA Size Listings are a guide to sizes only and must not be solely relied on for critical design information.

Springs - Compression - Standard - Steel

Part Number	Spring OD (D0) mm <i>inches</i>	Free Length (L0) mm <i>inches</i>	Wire Diameter (d) mm <i>inches</i>	Loaded Height (L1) mm <i>inches</i>	Load at L1 N	Rate (P/f) N/mm	Solid Height (Sh) mm <i>inches</i>	Material	End Type
CS-0610-0254-10-M-C	6.10 <i>0.240</i>	25.4 <i>1.000</i>	1.04 <i>0.041</i>	-	-	-	-	Spring Steel	Closed
# CS-0610-0381-04-M-C	6.10 <i>0.240</i>	38.1 <i>1.500</i>	0.46 <i>0.018</i>	-	-	-	-	Spring Steel	Closed
# CS-0610-0381-05-M-C	6.10 <i>0.240</i>	38.1 <i>1.500</i>	0.51 <i>0.020</i>	-	-	-	-	Spring Steel	Closed
# CS-0610-0381-05H-M-C	6.10 <i>0.240</i>	38.1 <i>1.500</i>	0.58 <i>0.023</i>	-	-	-	-	Spring Steel	Closed
# CS-0610-0381-06-M-C	6.10 <i>0.240</i>	38.1 <i>1.500</i>	0.64 <i>0.025</i>	-	-	-	-	Spring Steel	Closed
CS-0610-0381-07-M-C	6.10 <i>0.240</i>	38.1 <i>1.500</i>	0.71 <i>0.028</i>	-	-	-	-	Spring Steel	Closed
CS-0610-0381-07H-M-C	6.10 <i>0.240</i>	38.1 <i>1.500</i>	0.79 <i>0.031</i>	-	-	-	-	Spring Steel	Closed
# CS-0610-0381-08-M-C	6.10 <i>0.240</i>	38.1 <i>1.500</i>	0.89 <i>0.035</i>	-	-	-	-	Spring Steel	Closed
# CS-0610-0381-09-M-C	6.10 <i>0.240</i>	38.1 <i>1.500</i>	0.99 <i>0.039</i>	-	-	-	-	Spring Steel	Closed
# CS-0610-0381-10-M-C	6.10 <i>0.240</i>	38.1 <i>1.500</i>	1.04 <i>0.041</i>	-	-	-	-	Spring Steel	Closed

Indicates item not stocked at time of printing - Please enquire for lead time

Page 18 of 66

E&OE Pricing and all details subject to change without notice - Copyright Miniature Bearings Australia Pty Ltd
MBA Size Listings are a guide to sizes only and must not be solely relied on for critical design information.

Springs - Compression - Standard - Steel

Part Number	Spring OD (D0) mm <i>inches</i>	Free Length (L0) mm <i>inches</i>	Wire Diameter (d) mm <i>inches</i>	Loaded Height (L1) mm <i>inches</i>	Load at L1 N	Rate (P/f) N/mm	Solid Height (Sh) mm <i>inches</i>	Material	End Type
CS-0635-0254-06-M-C	6.35 <i>0.250</i>	25.4 <i>1.000</i>	0.56 <i>0.022</i>			0.500	7.370 <i>0.290</i>	Spring Steel	Closed
# CS-0635-0254-08-M-C	6.35 <i>0.250</i>	25.4 <i>1.000</i>	0.80 <i>0.031</i>			2.100	10.670 <i>0.420</i>	Spring Steel	Closed
# CS-0635-0254-09-M-C	6.35 <i>0.250</i>	25.4 <i>1.000</i>	0.90 <i>0.035</i>			2.940	14.220 <i>0.560</i>	Spring Steel	Closed
# CS-0635-0254-13-M-C	6.35 <i>0.250</i>	25.4 <i>1.000</i>	1.25 <i>0.049</i>			16.170	17.530 <i>0.690</i>	Spring Steel	Closed
# CS-0635-0318-08-M-C	6.35 <i>0.250</i>	31.8 <i>1.252</i>	0.80 <i>0.031</i>			2.000	10.120 <i>0.398</i>	Spring Steel	Closed
CS-0635-0318-06-Z	6.35 <i>0.250</i>	31.8 <i>1.252</i>	0.58 <i>0.023</i>	-	12.10	-	8.458 <i>0.333</i>	Zinc Plated Spring Steel	
# CS-0635-0349-05-M-C	6.35 <i>0.250</i>	34.9 <i>1.374</i>	0.45 <i>0.018</i>			0.120	8.640 <i>0.340</i>	Spring Steel	Closed
CS-0635-0445-07-M-C	6.35 <i>0.250</i>	44.5 <i>1.752</i>	0.71 <i>0.028</i>			0.720	16.000 <i>0.630</i>	Spring Steel	Closed
# CS-0635-2540-05-M	6.35 <i>0.250</i>	254.0 <i>10.000</i>	0.46 <i>0.018</i>	-	-	-	-	Spring Steel	Open
# CS-0635-2540-07-M	6.35 <i>0.250</i>	254.0 <i>10.000</i>	0.66 <i>0.026</i>	-	-	-	-	Spring Steel	Open

Indicates item not stocked at time of printing - Please enquire for lead time

Page 19 of 66

E&OE Pricing and all details subject to change without notice - Copyright Miniature Bearings Australia Pty Ltd
MBA Size Listings are a guide to sizes only and must not be solely relied on for critical design information.

Springs - Compression - Standard - Steel

Part Number	Spring OD (D0) mm <i>inches</i>	Free Length (L0) mm <i>inches</i>	Wire Diameter (d) mm <i>inches</i>	Loaded Height (L1) mm <i>inches</i>	Load at L1 N	Rate (P/f) N/mm	Solid Height (Sh) mm <i>inches</i>	Material	End Type
# CS-0635-2540-08-M	6.35 <i>0.250</i>	254.0 <i>10.000</i>	0.79 <i>0.031</i>	-	-	-	-	Spring Steel	Open
# CS-0635-2540-09-M	6.35 <i>0.250</i>	254.0 <i>10.000</i>	0.89 <i>0.035</i>	-	-	-	-	Spring Steel	Open
# CS-0635-2540-11-M	6.35 <i>0.250</i>	254.0 <i>10.000</i>	1.07 <i>0.042</i>	-	-	-	-	Spring Steel	Open
# CS-0635-2540-12-M	6.35 <i>0.250</i>	254.0 <i>10.000</i>	1.19 <i>0.047</i>	-	-	-	-	Spring Steel	Open
CS-0762-0127-05-M-C	7.62 <i>0.300</i>	12.7 <i>0.500</i>	0.51 <i>0.020</i>	-	-	0.49	-	Spring Steel	Closed
# CS-0762-0127-05H-M-C	7.62 <i>0.300</i>	12.7 <i>0.500</i>	0.58 <i>0.023</i>	-	-	1.16	-	Spring Steel	Closed
# CS-0762-0127-06-M-C	7.62 <i>0.300</i>	12.7 <i>0.500</i>	0.64 <i>0.025</i>	-	-	2.03	-	Spring Steel	Closed
# CS-0762-0127-07-M-C	7.62 <i>0.300</i>	12.7 <i>0.500</i>	0.71 <i>0.028</i>	-	-	1.14	-	Spring Steel	Closed
# CS-0762-0127-07H-M-C	7.62 <i>0.300</i>	12.7 <i>0.500</i>	0.79 <i>0.031</i>	-	-	2.99	-	Spring Steel	Closed
# CS-0762-0127-08-M-C	7.62 <i>0.300</i>	12.7 <i>0.500</i>	0.89 <i>0.035</i>	-	-	5.48	-	Spring Steel	Closed

Indicates item not stocked at time of printing - Please enquire for lead time

Page 20 of 66

E&OE Pricing and all details subject to change without notice - Copyright Miniature Bearings Australia Pty Ltd
MBA Size Listings are a guide to sizes only and must not be solely relied on for critical design information.

Springs - Compression - Standard - Steel

Part Number	Spring OD (D0) mm <i>inches</i>	Free Length (L0) mm <i>inches</i>	Wire Diameter (d) mm <i>inches</i>	Loaded Height (L1) mm <i>inches</i>	Load at L1 N	Rate (P/f) N/mm	Solid Height (Sh) mm <i>inches</i>	Material	End Type
# CS-0762-0127-09-M-C	7.62 <i>0.300</i>	12.7 <i>0.500</i>	0.99 <i>0.039</i>	-	-	8.04	-	Spring Steel	Closed
# CS-0762-0127-10-M-C	7.62 <i>0.300</i>	12.7 <i>0.500</i>	1.04 <i>0.041</i>	-	-	10.16	-	Spring Steel	Closed
# CS-0762-0127-11-M-C	7.62 <i>0.300</i>	12.7 <i>0.500</i>	1.14 <i>0.045</i>	-	-	15.94	-	Spring Steel	Closed
# CS-0762-0127-12-M-C	7.62 <i>0.300</i>	12.7 <i>0.500</i>	1.25 <i>0.049</i>	-	-	23.930	7.420 <i>0.292</i>	Spring Steel	Closed
# CS-0762-0191-06-M-C	7.62 <i>0.300</i>	19.1 <i>0.752</i>	0.56 <i>0.022</i>	-	-	0.718	3.610 <i>0.142</i>	Spring Steel	Closed
# CS-0762-0191-08-M-C	7.62 <i>0.300</i>	19.1 <i>0.752</i>	0.79 <i>0.031</i>	-	-	2.610	6.480 <i>0.255</i>	Spring Steel	Closed
# CS-0762-0191-10-M-C	7.62 <i>0.300</i>	19.1 <i>0.752</i>	0.99 <i>0.039</i>	-	-	5.920	9.350 <i>0.368</i>	Spring Steel	Closed
# CS-0762-0191-12-M-C	7.62 <i>0.300</i>	19.1 <i>0.752</i>	1.25 <i>0.049</i>	-	-	14.660	10.540 <i>0.415</i>	Spring Steel	Closed
CS-0762-0254-05-M-C	7.62 <i>0.300</i>	25.4 <i>1.000</i>	0.51 <i>0.020</i>	-	-	0.25	-	Spring Steel	Closed
# CS-0762-0254-05H-M-C	7.62 <i>0.300</i>	25.4 <i>1.000</i>	0.58 <i>0.023</i>	-	-	0.47	-	Spring Steel	Closed

Indicates item not stocked at time of printing - Please enquire for lead time

Page 21 of 66

E&OE Pricing and all details subject to change without notice - Copyright Miniature Bearings Australia Pty Ltd
MBA Size Listings are a guide to sizes only and must not be solely relied on for critical design information.

Springs - Compression - Standard - Steel

Part Number	Spring OD (D0) mm <i>inches</i>	Free Length (L0) mm <i>inches</i>	Wire Diameter (d) mm <i>inches</i>	Loaded Height (L1) mm <i>inches</i>	Load at L1 N	Rate (P/f) N/mm	Solid Height (Sh) mm <i>inches</i>	Material	End Type
CS-0762-0254-06-M-C	7.62 <i>0.300</i>	25.4 <i>1.000</i>	0.64 <i>0.025</i>	-	-	0.89	-	Spring Steel	Closed
# CS-0762-0254-07-M-C	7.62 <i>0.300</i>	25.4 <i>1.000</i>	0.71 <i>0.028</i>	-	-	1.54	-	Spring Steel	Closed
# CS-0762-0254-07H-M-C	7.62 <i>0.300</i>	25.4 <i>1.000</i>	0.79 <i>0.031</i>	-	-	1.42	-	Spring Steel	Closed
# CS-0762-0254-08-M-C	7.62 <i>0.300</i>	25.4 <i>1.000</i>	0.89 <i>0.035</i>	-	-	2.38	-	Spring Steel	Closed
# CS-0762-0254-09-M-C	7.62 <i>0.300</i>	25.4 <i>1.000</i>	0.99 <i>0.039</i>	-	-	3.70	-	Spring Steel	Closed
# CS-0762-0254-10-M-C	7.62 <i>0.300</i>	25.4 <i>1.000</i>	1.04 <i>0.041</i>	-	-	4.73	-	Spring Steel	Closed
# CS-0762-0254-11-M-C	7.62 <i>0.300</i>	25.4 <i>1.000</i>	1.14 <i>0.045</i>	-	-	7.18	-	Spring Steel	Closed
# CS-0762-0254-12-M-C	7.62 <i>0.300</i>	25.4 <i>1.000</i>	1.25 <i>0.049</i>	-	-	10.380	13.390 <i>0.527</i>	Spring Steel	Closed
CS-0762-0381-05-M-C	7.62 <i>0.300</i>	38.1 <i>1.500</i>	0.51 <i>0.020</i>	-	-	0.16	-	Spring Steel	Closed
# CS-0762-0381-05H-M-C	7.62 <i>0.300</i>	38.1 <i>1.500</i>	0.58 <i>0.023</i>	-	-	0.37	-	Spring Steel	Closed

Indicates item not stocked at time of printing - Please enquire for lead time

Page 22 of 66

E&OE Pricing and all details subject to change without notice - Copyright Miniature Bearings Australia Pty Ltd
MBA Size Listings are a guide to sizes only and must not be solely relied on for critical design information.

Springs - Compression - Standard - Steel

Part Number	Spring OD (D0) mm <i>inches</i>	Free Length (L0) mm <i>inches</i>	Wire Diameter (d) mm <i>inches</i>	Loaded Height (L1) mm <i>inches</i>	Load at L1 N	Rate (P/f) N/mm	Solid Height (Sh) mm <i>inches</i>	Material	End Type
# CS-0762-0381-06-M-C	7.62 <i>0.300</i>	38.1 <i>1.500</i>	0.64 <i>0.025</i>	-	-	0.63	-	Spring Steel	Closed
# CS-0762-0381-07-M-C	7.62 <i>0.300</i>	38.1 <i>1.500</i>	0.71 <i>0.028</i>	-	-	0.77	-	Spring Steel	Closed
# CS-0762-0381-07H-M-C	7.62 <i>0.300</i>	38.1 <i>1.500</i>	0.79 <i>0.031</i>	-	-	0.93	-	Spring Steel	Closed
# CS-0762-0381-08-M-C	7.62 <i>0.300</i>	38.1 <i>1.500</i>	0.89 <i>0.035</i>	-	-	1.56	-	Spring Steel	Closed
# CS-0762-0381-09-M-C	7.62 <i>0.300</i>	38.1 <i>1.500</i>	0.99 <i>0.039</i>	-	-	2.35	-	Spring Steel	Closed
# CS-0762-0381-10-M-C	7.62 <i>0.300</i>	38.1 <i>1.500</i>	1.04 <i>0.041</i>	-	-	2.82	-	Spring Steel	Closed
# CS-0762-0381-11-M-C	7.62 <i>0.300</i>	38.1 <i>1.500</i>	1.14 <i>0.045</i>	-	-	4.64	-	Spring Steel	Closed
CS-0762-0381-12-M-C	7.62 <i>0.300</i>	38.1 <i>1.500</i>	1.25 <i>0.049</i>	-	-	6.840	18.850 <i>0.742</i>	Spring Steel	Closed
# CS-0762-0508-06-M-C	7.62 <i>0.300</i>	50.8 <i>2.000</i>	0.56 <i>0.022</i>	-	-	0.263	7.340 <i>0.289</i>	Spring Steel	Closed
# CS-0762-0508-08-M-C	7.62 <i>0.300</i>	50.8 <i>2.000</i>	0.79 <i>0.031</i>	-	-	0.928	14.550 <i>0.573</i>	Spring Steel	Closed

Indicates item not stocked at time of printing - Please enquire for lead time

Page 23 of 66

E&OE Pricing and all details subject to change without notice - Copyright Miniature Bearings Australia Pty Ltd
MBA Size Listings are a guide to sizes only and must not be solely relied on for critical design information.

Springs - Compression - Standard - Steel

Part Number	Spring OD (D0) mm <i>inches</i>	Free Length (L0) mm <i>inches</i>	Wire Diameter (d) mm <i>inches</i>	Loaded Height (L1) mm <i>inches</i>	Load at L1 N	Rate (P/f) N/mm	Solid Height (Sh) mm <i>inches</i>	Material	End Type
CS-0762-0508-10-M-C	7.62 <i>0.300</i>	50.8 <i>2.000</i>	0.99 <i>0.039</i>			2.070	21.080 <i>0.830</i>	Spring Steel	Closed
# CS-0762-0508-12-M-C	7.62 <i>0.300</i>	50.8 <i>2.000</i>	1.25 <i>0.049</i>			4.810	25.150 <i>0.990</i>	Spring Steel	Closed
# CS-0762-0635-06-M-C	7.62 <i>0.300</i>	63.5 <i>2.500</i>	0.56 <i>0.022</i>			0.228	8.480 <i>0.334</i>	Spring Steel	Closed
# CS-0762-0635-08-M-C	7.62 <i>0.300</i>	63.5 <i>2.500</i>	0.79 <i>0.031</i>			0.771	16.660 <i>0.656</i>	Spring Steel	Closed
# CS-0762-0635-10-M-C	7.62 <i>0.300</i>	63.5 <i>2.500</i>	0.99 <i>0.039</i>			1.646	25.780 <i>1.015</i>	Spring Steel	Closed
# CS-0762-0635-12-M-C	7.62 <i>0.300</i>	63.5 <i>2.500</i>	1.25 <i>0.049</i>			4.610	29.720 <i>1.170</i>	Spring Steel	Closed
# CS-0794-0318-09-M-C	7.94 <i>0.313</i>	31.8 <i>1.252</i>	0.90 <i>0.035</i>			1.550	12.950 <i>0.510</i>	Spring Steel	Closed
# CS-0794-0318-13-M-C	7.94 <i>0.313</i>	31.8 <i>1.252</i>	1.25 <i>0.049</i>			6.970	18.030 <i>0.710</i>	Spring Steel	Closed
# CS-0794-0381-08-M-C	7.94 <i>0.313</i>	38.1 <i>1.500</i>	0.80 <i>0.031</i>			0.830	12.190 <i>0.480</i>	Spring Steel	Closed
# CS-0794-0445-04-M-C	7.94 <i>0.313</i>	44.5 <i>1.752</i>	0.36 <i>0.014</i>			0.026	6.100 <i>0.240</i>	Spring Steel	Closed

Indicates item not stocked at time of printing - Please enquire for lead time

Page 24 of 66

E&OE Pricing and all details subject to change without notice - Copyright Miniature Bearings Australia Pty Ltd
MBA Size Listings are a guide to sizes only and must not be solely relied on for critical design information.

Springs - Compression - Standard - Steel

Part Number	Spring OD (D0) mm <i>inches</i>	Free Length (L0) mm <i>inches</i>	Wire Diameter (d) mm <i>inches</i>	Loaded Height (L1) mm <i>inches</i>	Load at L1 N	Rate (P/f) N/mm	Solid Height (Sh) mm <i>inches</i>	Material	End Type
# CS-0794-0445-06-M-C	7.94 <i>0.313</i>	44.5 <i>1.752</i>	0.56 <i>0.022</i>			0.180	9.140 <i>0.360</i>	Spring Steel	Closed
# CS-0794-0445-07-M-C	7.94 <i>0.313</i>	44.5 <i>1.752</i>	0.71 <i>0.028</i>			0.460	12.950 <i>0.510</i>	Spring Steel	Closed
CS-0794-0762-13-M-C	7.94 <i>0.313</i>	76.2 <i>3.000</i>	1.25 <i>0.049</i>			2.850	38.610 <i>1.520</i>	Spring Steel	Closed
# CS-0794-1016-09-M-C	7.94 <i>0.313</i>	101.6 <i>4.000</i>	0.90 <i>0.035</i>			0.640	27.690 <i>1.090</i>	Spring Steel	Closed
# CS-0794-2540-06-M	7.94 <i>0.313</i>	254.0 <i>10.000</i>	0.56 <i>0.022</i>	-	-	-	-	Spring Steel	Open
# CS-0794-2540-08-M	7.94 <i>0.313</i>	254.0 <i>10.000</i>	0.79 <i>0.031</i>	-	-	-	-	Spring Steel	Open
# CS-0794-2540-10-M	7.94 <i>0.313</i>	254.0 <i>10.000</i>	0.97 <i>0.038</i>	-	-	-	-	Spring Steel	Open
# CS-0794-2540-11-M	7.94 <i>0.313</i>	254.0 <i>10.000</i>	1.07 <i>0.042</i>	-	-	-	-	Spring Steel	Open
CS-0794-2540-12-M	7.94 <i>0.313</i>	254.0 <i>10.000</i>	1.19 <i>0.047</i>	-	-	-	-	Spring Steel	Open
# CS-0794-2540-14-M	7.94 <i>0.313</i>	254.0 <i>10.000</i>	1.40 <i>0.055</i>	-	-	-	-	Spring Steel	Open

Indicates item not stocked at time of printing - Please enquire for lead time

Page 25 of 66

E&OE Pricing and all details subject to change without notice - Copyright Miniature Bearings Australia Pty Ltd
MBA Size Listings are a guide to sizes only and must not be solely relied on for critical design information.

Springs - Compression - Standard - Steel

Part Number	Spring OD (D0) mm <i>inches</i>	Free Length (L0) mm <i>inches</i>	Wire Diameter (d) mm <i>inches</i>	Loaded Height (L1) mm <i>inches</i>	Load at L1 N	Rate (P/f) N/mm	Solid Height (Sh) mm <i>inches</i>	Material	End Type
CS-0795-0254-04-Z	7.95 <i>0.313</i>	25.4 <i>1.000</i>	0.40 <i>0.016</i>	-	-	-	-	Spring Steel Zinc Plated	Open
CS-0795-0349-04-Z	7.95 <i>0.313</i>	34.9 <i>1.374</i>	0.40 <i>0.016</i>	-	-	-	-	Spring Steel Zinc Plated	Open
CS-0833-2540-08-M	8.33 <i>0.328</i>	254.0 <i>10.000</i>	0.79 <i>0.031</i>	-	-	-	-	Spring Steel	Open
CS-0864-2540-09-M	8.64 <i>0.340</i>	254.0 <i>10.000</i>	0.94 <i>0.037</i>	-	-	-	-	Spring Steel	Open
CS-0876-2540-08-M	8.76 <i>0.345</i>	254.0 <i>10.000</i>	0.81 <i>0.032</i>	-	-	-	-	Spring Steel	Open
# CS-0889-2540-11-M	8.89 <i>0.350</i>	254.0 <i>10.000</i>	1.07 <i>0.042</i>	-	-	-	-	Spring Steel	Open
# CS-0914-0127-05-M-C	9.14 <i>0.360</i>	12.7 <i>0.500</i>	0.58 <i>0.023</i>	-	-	0.93	-	Spring Steel	Closed
# CS-0914-0127-06-M-C	9.14 <i>0.360</i>	12.7 <i>0.500</i>	0.64 <i>0.025</i>	-	-	1.59	-	Spring Steel	Closed
# CS-0914-0127-07-M-C	9.14 <i>0.360</i>	12.7 <i>0.500</i>	0.71 <i>0.028</i>	-	-	2.15	-	Spring Steel	Closed
# CS-0914-0127-07H-M-C	9.14 <i>0.360</i>	12.7 <i>0.500</i>	0.79 <i>0.031</i>	-	-	3.13	-	Spring Steel	Closed

Indicates item not stocked at time of printing - Please enquire for lead time

Page 26 of 66

E&OE Pricing and all details subject to change without notice - Copyright Miniature Bearings Australia Pty Ltd
MBA Size Listings are a guide to sizes only and must not be solely relied on for critical design information.

Springs - Compression - Standard - Steel

Part Number	Spring OD (D0) mm <i>inches</i>	Free Length (L0) mm <i>inches</i>	Wire Diameter (d) mm <i>inches</i>	Loaded Height (L1) mm <i>inches</i>	Load at L1 N	Rate (P/f) N/mm	Solid Height (Sh) mm <i>inches</i>	Material	End Type
# CS-0914-0127-08-M-C	9.14 <i>0.360</i>	12.7 <i>0.500</i>	0.89 <i>0.035</i>	-	-	4.13	-	Spring Steel	Closed
# CS-0914-0127-09-M-C	9.14 <i>0.360</i>	12.7 <i>0.500</i>	0.99 <i>0.039</i>	-	-	5.62	-	Spring Steel	Closed
CS-0914-0127-10-M-C	9.14 <i>0.360</i>	12.7 <i>0.500</i>	1.04 <i>0.041</i>	-	-	6.71	-	Spring Steel	Closed
# CS-0914-0127-11-M-C	9.14 <i>0.360</i>	12.7 <i>0.500</i>	1.14 <i>0.045</i>	-	-	11.21	-	Spring Steel	Closed
# CS-0914-0127-12-M-C	9.14 <i>0.360</i>	12.7 <i>0.500</i>	1.19 <i>0.047</i>	-	-	13.36	-	Spring Steel	Closed
# CS-0914-0254-05-M-C	9.14 <i>0.360</i>	25.4 <i>1.000</i>	0.58 <i>0.023</i>	-	-	0.46	-	Spring Steel	Closed
# CS-0914-0254-06-M-C	9.14 <i>0.360</i>	25.4 <i>1.000</i>	0.64 <i>0.025</i>	-	-	0.72	-	Spring Steel	Closed
# CS-0914-0254-07-M-C	9.14 <i>0.360</i>	25.4 <i>1.000</i>	0.71 <i>0.028</i>	-	-	1.02	-	Spring Steel	Closed
# CS-0914-0254-07H-M-C	9.14 <i>0.360</i>	25.4 <i>1.000</i>	0.79 <i>0.031</i>	-	-	1.47	-	Spring Steel	Closed
# CS-0914-0254-08-M-C	9.14 <i>0.360</i>	25.4 <i>1.000</i>	0.89 <i>0.035</i>	-	-	1.91	-	Spring Steel	Closed

Indicates item not stocked at time of printing - Please enquire for lead time

Page 27 of 66

E&OE Pricing and all details subject to change without notice - Copyright Miniature Bearings Australia Pty Ltd
MBA Size Listings are a guide to sizes only and must not be solely relied on for critical design information.

Springs - Compression - Standard - Steel

Part Number	Spring OD (D0) mm <i>inches</i>	Free Length (L0) mm <i>inches</i>	Wire Diameter (d) mm <i>inches</i>	Loaded Height (L1) mm <i>inches</i>	Load at L1 N	Rate (P/f) N/mm	Solid Height (Sh) mm <i>inches</i>	Material	End Type
# CS-0914-0254-09-M-C	9.14 <i>0.360</i>	25.4 <i>1.000</i>	0.99 <i>0.039</i>	-	-	2.64	-	Spring Steel	Closed
# CS-0914-0254-10-M-C	9.14 <i>0.360</i>	25.4 <i>1.000</i>	1.04 <i>0.041</i>	-	-	3.06	-	Spring Steel	Closed
# CS-0914-0254-11-M-C	9.14 <i>0.360</i>	25.4 <i>1.000</i>	1.14 <i>0.045</i>	-	-	4.73	-	Spring Steel	Closed
# CS-0914-0254-12-M-C	9.14 <i>0.360</i>	25.4 <i>1.000</i>	1.19 <i>0.047</i>	-	-	5.73	-	Spring Steel	Closed
# CS-0914-0381-05-M-C	9.14 <i>0.360</i>	38.1 <i>1.500</i>	0.58 <i>0.023</i>	-	-	0.32	-	Spring Steel	Closed
# CS-0914-0381-06-M-C	9.14 <i>0.360</i>	38.1 <i>1.500</i>	0.64 <i>0.025</i>	-	-	0.49	-	Spring Steel	Closed
# CS-0914-0381-07-M-C	9.14 <i>0.360</i>	38.1 <i>1.500</i>	0.71 <i>0.028</i>	-	-	0.65	-	Spring Steel	Closed
# CS-0914-0381-07H-M-C	9.14 <i>0.360</i>	38.1 <i>1.500</i>	0.79 <i>0.031</i>	-	-	0.95	-	Spring Steel	Closed
# CS-0914-0381-08-M-C	9.14 <i>0.360</i>	38.1 <i>1.500</i>	0.89 <i>0.035</i>	-	-	1.21	-	Spring Steel	Closed
# CS-0914-0381-09-M-C	9.14 <i>0.360</i>	38.1 <i>1.500</i>	0.99 <i>0.039</i>	-	-	1.59	-	Spring Steel	Closed

Indicates item not stocked at time of printing - Please enquire for lead time

Page 28 of 66

E&OE Pricing and all details subject to change without notice - Copyright Miniature Bearings Australia Pty Ltd
MBA Size Listings are a guide to sizes only and must not be solely relied on for critical design information.

Springs - Compression - Standard - Steel

Part Number	Spring OD (D0) mm <i>inches</i>	Free Length (L0) mm <i>inches</i>	Wire Diameter (d) mm <i>inches</i>	Loaded Height (L1) mm <i>inches</i>	Load at L1 N	Rate (P/f) N/mm	Solid Height (Sh) mm <i>inches</i>	Material	End Type
# CS-0914-0381-10-M-C	9.14 <i>0.360</i>	38.1 <i>1.500</i>	1.04 <i>0.041</i>	-	-	2.03	-	Spring Steel	Closed
# CS-0914-0381-11-M-C	9.14 <i>0.360</i>	38.1 <i>1.500</i>	1.14 <i>0.045</i>	-	-	3.13	-	Spring Steel	Closed
# CS-0914-0381-12-M-C	9.14 <i>0.360</i>	38.1 <i>1.500</i>	1.19 <i>0.047</i>	-	-	3.82	-	Spring Steel	Closed
CS-0914-0635-09-M-G	9.14 <i>0.360</i>	63.5 <i>2.500</i>	0.90 <i>0.035</i>	29.82 <i>1.174</i>	25.49	0.753	15.60 <i>0.614</i>	Spring Steel	Ground Flush
# CS-0914-2540-12-M	9.14 <i>0.360</i>	254.0 <i>10.000</i>	1.19 <i>0.047</i>	-	-	-	-	Spring Steel	Open
# CS-0914-0191-06-M-C	9.14 <i>0.360</i>	19.1 <i>0.752</i>	0.64 <i>0.025</i>			1.068	3.630 <i>0.143</i>	Spring Steel	Closed
# CS-0914-0191-08-M-C	9.14 <i>0.360</i>	19.1 <i>0.752</i>	0.79 <i>0.031</i>			2.080	5.050 <i>0.199</i>	Spring Steel	Closed
# CS-0914-0191-09-M-C	9.14 <i>0.360</i>	19.1 <i>0.752</i>	0.89 <i>0.035</i>			2.700	6.270 <i>0.247</i>	Spring Steel	Closed
# CS-0914-0191-10-M-C	9.14 <i>0.360</i>	19.1 <i>0.752</i>	0.99 <i>0.039</i>			4.330	7.670 <i>0.302</i>	Spring Steel	Closed
# CS-0914-0191-12-M-C	9.14 <i>0.360</i>	19.1 <i>0.752</i>	1.25 <i>0.049</i>			10.050	8.560 <i>0.337</i>	Spring Steel	Closed

Indicates item not stocked at time of printing - Please enquire for lead time

Page 29 of 66

E&OE Pricing and all details subject to change without notice - Copyright Miniature Bearings Australia Pty Ltd
MBA Size Listings are a guide to sizes only and must not be solely relied on for critical design information.

Springs - Compression - Standard - Steel

Part Number	Spring OD (D0) mm <i>inches</i>	Free Length (L0) mm <i>inches</i>	Wire Diameter (d) mm <i>inches</i>	Loaded Height (L1) mm <i>inches</i>	Load at L1 N	Rate (P/f) N/mm	Solid Height (Sh) mm <i>inches</i>	Material	End Type
# CS-0914-0318-12-M-C	9.14 <i>0.360</i>	31.8 <i>1.252</i>	1.25 <i>0.049</i>			5.550	13.110 <i>0.516</i>	Spring Steel	Closed
# CS-0914-0508-06-M-C	9.14 <i>0.360</i>	50.8 <i>2.000</i>	0.64 <i>0.025</i>			0.367	7.570 <i>0.298</i>	Spring Steel	Closed
# CS-0914-0508-08-M-C	9.14 <i>0.360</i>	50.8 <i>2.000</i>	0.79 <i>0.031</i>			0.701	11.020 <i>0.434</i>	Spring Steel	Closed
# CS-0914-0508-09-M-C	9.14 <i>0.360</i>	50.8 <i>2.000</i>	0.89 <i>0.035</i>			0.946	12.930 <i>0.509</i>	Spring Steel	Closed
# CS-0914-0508-10-M-C	9.14 <i>0.360</i>	50.8 <i>2.000</i>	0.99 <i>0.039</i>			1.506	16.280 <i>0.641</i>	Spring Steel	Closed
CS-0914-0508-12-M-C	9.14 <i>0.360</i>	50.8 <i>2.000</i>	1.25 <i>0.049</i>			3.520	19.760 <i>0.778</i>	Spring Steel	Closed
# CS-0914-0635-08-M-C	9.14 <i>0.360</i>	63.5 <i>2.500</i>	0.79 <i>0.031</i>			0.595	12.650 <i>0.498</i>	Spring Steel	Closed
# CS-0914-0635-09-M-C	9.14 <i>0.360</i>	63.5 <i>2.500</i>	0.89 <i>0.035</i>			0.753	15.600 <i>0.614</i>	Spring Steel	Closed
# CS-0914-0635-10-M-C	9.14 <i>0.360</i>	63.5 <i>2.500</i>	0.99 <i>0.039</i>			1.191	19.740 <i>0.777</i>	Spring Steel	Closed
CS-0914-0635-12-M-C	9.14 <i>0.360</i>	63.5 <i>2.500</i>	1.25 <i>0.049</i>			2.830	24.030 <i>0.946</i>	Spring Steel	Closed

Indicates item not stocked at time of printing - Please enquire for lead time

Page 30 of 66

E&OE Pricing and all details subject to change without notice - Copyright Miniature Bearings Australia Pty Ltd
MBA Size Listings are a guide to sizes only and must not be solely relied on for critical design information.

Springs - Compression - Standard - Steel

Part Number	Spring OD (D0) mm <i>inches</i>	Free Length (L0) mm <i>inches</i>	Wire Diameter (d) mm <i>inches</i>	Loaded Height (L1) mm <i>inches</i>	Load at L1 N	Rate (P/f) N/mm	Solid Height (Sh) mm <i>inches</i>	Material	End Type
# CS-0935-2540-13-M	9.35 <i>0.368</i>	254.0 <i>10.000</i>	1.30 <i>0.051</i>	-	-	-	-	Spring Steel	Open
CS-0953-0127-12-Z	9.53 <i>0.375</i>	12.7 <i>0.500</i>	1.20 <i>0.047</i>	-	-	-	-	Spring Steel Zinc Plated	Open
CS-0953-0191-08-Z	9.53 <i>0.375</i>	19.1 <i>0.752</i>	0.80 <i>0.031</i>	-	-	-	-	Spring Steel Zinc Plated	Open
# CS-0953-0381-09-M-C	9.53 <i>0.375</i>	38.1 <i>1.500</i>	0.90 <i>0.035</i>	-	-	0.720	16.000 <i>0.630</i>	Spring Steel	Closed
# CS-0953-0381-14-M-C	9.53 <i>0.375</i>	38.1 <i>1.500</i>	1.40 <i>0.055</i>	-	-	6.130	20.300 <i>0.799</i>	Spring Steel	Closed
# CS-0953-0381-16-M-G	9.53 <i>0.375</i>	38.1 <i>1.500</i>	1.60 <i>0.063</i>	-	-	10.440	24.900 <i>0.980</i>	Spring Steel	Ground Flush
# CS-0953-0508-13-M-C	9.53 <i>0.375</i>	50.8 <i>2.000</i>	1.25 <i>0.049</i>	-	-	2.910	21.840 <i>0.860</i>	Spring Steel	Closed
# CS-0953-0508-14-M-C	9.53 <i>0.375</i>	50.8 <i>2.000</i>	1.40 <i>0.055</i>	-	-	4.290	27.400 <i>1.079</i>	Spring Steel	Closed
# CS-0953-0889-13-M-C	9.53 <i>0.375</i>	88.9 <i>3.500</i>	1.25 <i>0.049</i>	-	-	1.790	33.020 <i>1.300</i>	Spring Steel	Closed
# CS-0953-1016-07-M-C	9.53 <i>0.375</i>	101.6 <i>4.000</i>	0.71 <i>0.028</i>	-	-	0.160	18.800 <i>0.740</i>	Spring Steel	Closed

Indicates item not stocked at time of printing - Please enquire for lead time

Page 31 of 66

E&OE Pricing and all details subject to change without notice - Copyright Miniature Bearings Australia Pty Ltd
MBA Size Listings are a guide to sizes only and must not be solely relied on for critical design information.

Springs - Compression - Standard - Steel

Part Number	Spring OD (D0) mm <i>inches</i>	Free Length (L0) mm <i>inches</i>	Wire Diameter (d) mm <i>inches</i>	Loaded Height (L1) mm <i>inches</i>	Load at L1 N	Rate (P/f) N/mm	Solid Height (Sh) mm <i>inches</i>	Material	End Type
# CS-0953-2540-11-M	9.53 <i>0.375</i>	254.0 <i>10.000</i>	1.09 <i>0.043</i>	-	-	-	-	Spring Steel	Open
# CS-0953-2540-14-M	9.53 <i>0.375</i>	254.0 <i>10.000</i>	1.40 <i>0.055</i>	-	-	-	-	Spring Steel	Open
CS-0953-2540-16-M	9.53 <i>0.375</i>	254.0 <i>10.000</i>	1.60 <i>0.063</i>	-	-	-	-	Spring Steel	Open
# CS-0953-2540-19-M	9.53 <i>0.375</i>	254.0 <i>10.000</i>	1.85 <i>0.073</i>	-	-	-	-	Spring Steel	Open
# CS-1029-2540-16-M	10.29 <i>0.405</i>	254.0 <i>10.000</i>	1.57 <i>0.062</i>	-	-	-	-	Spring Steel	Open
# CS-1046-2540-11-M	10.46 <i>0.412</i>	254.0 <i>10.000</i>	1.07 <i>0.042</i>	-	-	-	-	Spring Steel	Open
# CS-1067-0191-09-M-C	10.67 <i>0.420</i>	19.1 <i>0.752</i>	0.89 <i>0.035</i>	-	-	2.190	5.360 <i>0.211</i>	Spring Steel	Closed
# CS-1067-0191-10-M-C	10.67 <i>0.420</i>	19.1 <i>0.752</i>	0.99 <i>0.039</i>	-	-	3.110	6.300 <i>0.248</i>	Spring Steel	Closed
# CS-1067-0254-16-M-G	10.67 <i>0.420</i>	25.4 <i>1.000</i>	1.60 <i>0.063</i>	-	-	13.640	15.010 <i>0.591</i>	Spring Steel	Ground Flush
# CS-1067-0381-16-M-G	10.67 <i>0.420</i>	38.1 <i>1.500</i>	1.60 <i>0.063</i>	-	-	8.690	20.850 <i>0.821</i>	Spring Steel	Ground Flush

Indicates item not stocked at time of printing - Please enquire for lead time

Page 32 of 66

E&OE Pricing and all details subject to change without notice - Copyright Miniature Bearings Australia Pty Ltd
MBA Size Listings are a guide to sizes only and must not be solely relied on for critical design information.

Springs - Compression - Standard - Steel

Part Number	Spring OD (D0) mm <i>inches</i>	Free Length (L0) mm <i>inches</i>	Wire Diameter (d) mm <i>inches</i>	Loaded Height (L1) mm <i>inches</i>	Load at L1 N	Rate (P/f) N/mm	Solid Height (Sh) mm <i>inches</i>	Material	End Type
# CS-1067-0508-09-M-C	10.67 <i>0.420</i>	50.8 <i>2.000</i>	0.89 <i>0.035</i>			-	-	Spring Steel	Closed
# CS-1067-0508-10-M-C	10.67 <i>0.420</i>	50.8 <i>2.000</i>	0.99 <i>0.039</i>			1.140	14.710 <i>0.579</i>	Spring Steel	Closed
# CS-1067-0508-12-M-C	10.67 <i>0.420</i>	50.8 <i>2.000</i>	1.25 <i>0.049</i>			2.260	17.730 <i>0.698</i>	Spring Steel	Closed
# CS-1067-0508-14-M-C	10.67 <i>0.420</i>	50.8 <i>2.000</i>	1.40 <i>0.055</i>			3.730	21.970 <i>0.865</i>	Spring Steel	Closed
# CS-1067-0508-16-M-G	10.67 <i>0.420</i>	50.8 <i>2.000</i>	1.60 <i>0.063</i>			6.360	26.720 <i>1.052</i>	Spring Steel	Ground Flush
# CS-1067-0635-10-M-C	10.67 <i>0.420</i>	63.5 <i>2.500</i>	0.99 <i>0.039</i>			0.910	16.000 <i>0.630</i>	Spring Steel	Closed
# CS-1067-0635-14-M-C	10.67 <i>0.420</i>	63.5 <i>2.500</i>	1.40 <i>0.055</i>			2.940	26.670 <i>1.050</i>	Spring Steel	Closed
# CS-1067-0635-16-M-G	10.67 <i>0.420</i>	63.5 <i>2.500</i>	1.60 <i>0.063</i>			5.030	32.560 <i>1.282</i>	Spring Steel	Ground Flush
# CS-1067-0127-07-M-C	10.67 <i>0.420</i>	12.7 <i>0.500</i>	0.79 <i>0.031</i>	-	-	1.49	-	Spring Steel	Closed
# CS-1067-0127-08-M-C	10.67 <i>0.420</i>	12.7 <i>0.500</i>	0.89 <i>0.035</i>	-	-	3.08	-	Spring Steel	Closed

Indicates item not stocked at time of printing - Please enquire for lead time

Page 33 of 66

E&OE Pricing and all details subject to change without notice - Copyright Miniature Bearings Australia Pty Ltd
MBA Size Listings are a guide to sizes only and must not be solely relied on for critical design information.

Springs - Compression - Standard - Steel

Part Number	Spring OD (D0) mm <i>inches</i>	Free Length (L0) mm <i>inches</i>	Wire Diameter (d) mm <i>inches</i>	Loaded Height (L1) mm <i>inches</i>	Load at L1 N	Rate (P/f) N/mm	Solid Height (Sh) mm <i>inches</i>	Material	End Type
# CS-1067-0127-09-M-C	10.67 <i>0.420</i>	12.7 <i>0.500</i>	0.99 <i>0.039</i>	-	-	4.05	-	Spring Steel	Closed
# CS-1067-0127-10-M-C	10.67 <i>0.420</i>	12.7 <i>0.500</i>	1.04 <i>0.041</i>	-	-	5.97	-	Spring Steel	Closed
# CS-1067-0127-11-M-C	10.67 <i>0.420</i>	12.7 <i>0.500</i>	1.14 <i>0.045</i>	-	-	3.49	-	Spring Steel	Closed
# CS-1067-0127-12-M-C	10.67 <i>0.420</i>	12.7 <i>0.500</i>	1.19 <i>0.047</i>	-	-	4.40	-	Spring Steel	Closed
# CS-1067-0127-13-M-C	10.67 <i>0.420</i>	12.7 <i>0.500</i>	1.30 <i>0.051</i>	-	-	5.62	-	Spring Steel	Closed
# CS-1067-0127-16-M-C	10.67 <i>0.420</i>	12.7 <i>0.500</i>	1.57 <i>0.062</i>	-	-	31.87	-	Spring Steel	Closed
# CS-1067-0254-07-M-C	10.67 <i>0.420</i>	25.4 <i>1.000</i>	0.79 <i>0.031</i>	-	-	0.79	-	Spring Steel	Closed
# CS-1067-0254-08-M-C	10.67 <i>0.420</i>	25.4 <i>1.000</i>	0.89 <i>0.035</i>	-	-	1.42	-	Spring Steel	Closed
# CS-1067-0254-09-M-C	10.67 <i>0.420</i>	25.4 <i>1.000</i>	0.99 <i>0.039</i>	-	-	1.94	-	Spring Steel	Closed
# CS-1067-0254-10-M-C	10.67 <i>0.420</i>	25.4 <i>1.000</i>	1.04 <i>0.041</i>	-	-	2.78	-	Spring Steel	Closed

Indicates item not stocked at time of printing - Please enquire for lead time

Page 34 of 66

E&OE Pricing and all details subject to change without notice - Copyright Miniature Bearings Australia Pty Ltd
MBA Size Listings are a guide to sizes only and must not be solely relied on for critical design information.

Springs - Compression - Standard - Steel

Part Number	Spring OD (D0) mm <i>inches</i>	Free Length (L0) mm <i>inches</i>	Wire Diameter (d) mm <i>inches</i>	Loaded Height (L1) mm <i>inches</i>	Load at L1 N	Rate (P/f) N/mm	Solid Height (Sh) mm <i>inches</i>	Material	End Type
# CS-1067-0254-11-M-C	10.67 <i>0.420</i>	25.4 <i>1.000</i>	1.14 <i>0.045</i>	-	-	2.24	-	Spring Steel	Closed
# CS-1067-0254-12-M-C	10.67 <i>0.420</i>	25.4 <i>1.000</i>	1.19 <i>0.047</i>	-	-	2.73	-	Spring Steel	Closed
# CS-1067-0254-14-M-C	10.67 <i>0.420</i>	25.4 <i>1.000</i>	1.40 <i>0.055</i>	-	-	16.65	-	Spring Steel	Closed
# CS-1067-0254-16-M-C	10.67 <i>0.420</i>	25.4 <i>1.000</i>	1.57 <i>0.062</i>	-	-	13.68	-	Spring Steel	Closed
# CS-1067-0381-07-M-C	10.67 <i>0.420</i>	38.1 <i>1.500</i>	0.79 <i>0.031</i>	-	-	0.49	-	Spring Steel	Closed
# CS-1067-0381-08-M-C	10.67 <i>0.420</i>	38.1 <i>1.500</i>	0.89 <i>0.035</i>	-	-	0.91	-	Spring Steel	Closed
# CS-1067-0381-09-M-C	10.67 <i>0.420</i>	38.1 <i>1.500</i>	0.99 <i>0.039</i>	-	-	1.24	-	Spring Steel	Closed
# CS-1067-0381-10-M-C	10.67 <i>0.420</i>	38.1 <i>1.500</i>	1.04 <i>0.041</i>	-	-	1.82	-	Spring Steel	Closed
# CS-1067-0381-12-M-C	10.67 <i>0.420</i>	38.1 <i>1.500</i>	1.19 <i>0.047</i>	-	-	9.47	-	Spring Steel	Closed
# CS-1067-0381-13-M-C	10.67 <i>0.420</i>	38.1 <i>1.500</i>	1.30 <i>0.051</i>	-	-	12.61	-	Spring Steel	Closed

Indicates item not stocked at time of printing - Please enquire for lead time

Page 35 of 66

E&OE Pricing and all details subject to change without notice - Copyright Miniature Bearings Australia Pty Ltd
MBA Size Listings are a guide to sizes only and must not be solely relied on for critical design information.

Springs - Compression - Standard - Steel

Part Number	Spring OD (D0) mm <i>inches</i>	Free Length (L0) mm <i>inches</i>	Wire Diameter (d) mm <i>inches</i>	Loaded Height (L1) mm <i>inches</i>	Load at L1 N	Rate (P/f) N/mm	Solid Height (Sh) mm <i>inches</i>	Material	End Type
# CS-1067-0381-14-M-C	10.67 <i>0.420</i>	38.1 <i>1.500</i>	1.40 <i>0.055</i>	-	-	7.67	-	Spring Steel	Closed
# CS-1067-0381-16-M-C	10.67 <i>0.420</i>	38.1 <i>1.500</i>	1.57 <i>0.062</i>	-	-	8.67	-	Spring Steel	Closed
# CS-1072-2540-12-M	10.72 <i>0.422</i>	254.0 <i>10.000</i>	1.19 <i>0.047</i>	-	-	-	-	Spring Steel	Open
# CS-1111-0381-10-M-C	11.11 <i>0.437</i>	38.1 <i>1.500</i>	1.00 <i>0.039</i>	-	-	0.910	12.950 <i>0.510</i>	Spring Steel	Closed
# CS-1111-0508-14-M-C	11.11 <i>0.437</i>	50.8 <i>2.000</i>	1.40 <i>0.055</i>	-	-	3.590	20.300 <i>0.799</i>	Spring Steel	Closed
# CS-1111-0508-16-M-G	11.11 <i>0.437</i>	50.8 <i>2.000</i>	1.60 <i>0.063</i>	-	-	5.780	24.100 <i>0.949</i>	Spring Steel	Ground Flush
# CS-1111-2540-16-M	11.11 <i>0.437</i>	254.0 <i>10.000</i>	1.60 <i>0.063</i>	-	-	-	-	Spring Steel	Open
# CS-1111-2540-19-M	11.11 <i>0.437</i>	254.0 <i>10.000</i>	1.93 <i>0.076</i>	-	-	-	-	Spring Steel	Open
CS-1113-2540-14-M	11.13 <i>0.438</i>	254.0 <i>10.000</i>	1.40 <i>0.055</i>	-	-	-	-	Spring Steel	Open
# CS-1148-2540-16-M	11.48 <i>0.452</i>	254.0 <i>10.000</i>	1.57 <i>0.062</i>	-	-	-	-	Spring Steel	Open

Indicates item not stocked at time of printing - Please enquire for lead time

Page 36 of 66

E&OE Pricing and all details subject to change without notice - Copyright Miniature Bearings Australia Pty Ltd
MBA Size Listings are a guide to sizes only and must not be solely relied on for critical design information.

Springs - Compression - Standard - Steel

Part Number	Spring OD (D0) mm <i>inches</i>	Free Length (L0) mm <i>inches</i>	Wire Diameter (d) mm <i>inches</i>	Loaded Height (L1) mm <i>inches</i>	Load at L1 N	Rate (P/f) N/mm	Solid Height (Sh) mm <i>inches</i>	Material	End Type
# CS-1151-2540-16-M	11.51 <i>0.453</i>	254.0 <i>10.000</i>	1.57 <i>0.062</i>	-	-	-	-	Spring Steel	Open
# CS-1156-2540-20-M	11.56 <i>0.455</i>	254.0 <i>10.000</i>	2.03 <i>0.080</i>	-	-	-	-	Spring Steel	Open
# CS-1173-2540-17-M	11.73 <i>0.462</i>	254.0 <i>10.000</i>	1.70 <i>0.067</i>	-	-	-	-	Spring Steel	Open
# CS-122-013-16-M-C	12.19 <i>0.480</i>	12.7 <i>0.500</i>	0.99 <i>0.039</i>	-	-	3.52	-	Spring Steel	Closed
# CS-1219-0127-09-M-C	12.19 <i>0.480</i>	12.7 <i>0.500</i>	0.99 <i>0.039</i>	-	-	4.92	-	Spring Steel	Closed
# CS-1219-0127-10-M-C	12.19 <i>0.480</i>	12.7 <i>0.500</i>	1.04 <i>0.041</i>	-	-	6.15	-	Spring Steel	Closed
# CS-1219-0127-11-M-C	12.19 <i>0.480</i>	12.7 <i>0.500</i>	1.14 <i>0.045</i>	-	-	7.01	-	Spring Steel	Closed
# CS-1219-0127-12-M-C	12.19 <i>0.480</i>	12.7 <i>0.500</i>	1.19 <i>0.047</i>	-	-	10.00	-	Spring Steel	Closed
# CS-1219-0127-14-M-C	12.19 <i>0.480</i>	12.7 <i>0.500</i>	1.40 <i>0.055</i>	-	-	12.63	-	Spring Steel	Closed
# CS-1219-0127-15-M-C	12.19 <i>0.480</i>	12.7 <i>0.500</i>	1.50 <i>0.059</i>	-	-	17.18	-	Spring Steel	Closed

Indicates item not stocked at time of printing - Please enquire for lead time

Page 37 of 66

E&OE Pricing and all details subject to change without notice - Copyright Miniature Bearings Australia Pty Ltd
MBA Size Listings are a guide to sizes only and must not be solely relied on for critical design information.

Springs - Compression - Standard - Steel

Part Number	Spring OD (D0) mm <i>inches</i>	Free Length (L0) mm <i>inches</i>	Wire Diameter (d) mm <i>inches</i>	Loaded Height (L1) mm <i>inches</i>	Load at L1 N	Rate (P/f) N/mm	Solid Height (Sh) mm <i>inches</i>	Material	End Type
# CS-1219-0127-16-M-C	12.19 <i>0.480</i>	12.7 <i>0.500</i>	1.57 <i>0.062</i>	-	-	13.50	-	Spring Steel	Closed
# CS-1219-0127-18-M-C	12.19 <i>0.480</i>	12.7 <i>0.500</i>	1.83 <i>0.072</i>	-	-	28.02	-	Spring Steel	Closed
# CS-1219-0254-09-M-C	12.19 <i>0.480</i>	25.4 <i>1.000</i>	0.99 <i>0.039</i>	-	-	1.59	-	Spring Steel	Closed
# CS-1219-0254-10-M-C	12.19 <i>0.480</i>	25.4 <i>1.000</i>	1.04 <i>0.041</i>	-	-	2.29	-	Spring Steel	Closed
# CS-1219-0254-11-M-C	12.19 <i>0.480</i>	25.4 <i>1.000</i>	1.14 <i>0.045</i>	-	-	2.99	-	Spring Steel	Closed
# CS-1219-0254-12-M-C	12.19 <i>0.480</i>	25.4 <i>1.000</i>	1.19 <i>0.047</i>	-	-	3.22	-	Spring Steel	Closed
# CS-1219-0254-13-M-C	12.19 <i>0.480</i>	25.4 <i>1.000</i>	1.30 <i>0.051</i>	-	-	4.40	-	Spring Steel	Closed
# CS-1219-0254-14-M-C	12.19 <i>0.480</i>	25.4 <i>1.000</i>	1.40 <i>0.055</i>	-	-	6.15	-	Spring Steel	Closed
# CS-1219-0254-15-M-C	12.19 <i>0.480</i>	25.4 <i>1.000</i>	1.50 <i>0.059</i>	-	-	7.55	-	Spring Steel	Closed
# CS-1219-0254-16-M-C	12.19 <i>0.480</i>	25.4 <i>1.000</i>	1.57 <i>0.062</i>	-	-	10.02	-	Spring Steel	Closed

Indicates item not stocked at time of printing - Please enquire for lead time

Page 38 of 66

E&OE Pricing and all details subject to change without notice - Copyright Miniature Bearings Australia Pty Ltd
MBA Size Listings are a guide to sizes only and must not be solely relied on for critical design information.

Springs - Compression - Standard - Steel

Part Number	Spring OD (D0) mm <i>inches</i>	Free Length (L0) mm <i>inches</i>	Wire Diameter (d) mm <i>inches</i>	Loaded Height (L1) mm <i>inches</i>	Load at L1 N	Rate (P/f) N/mm	Solid Height (Sh) mm <i>inches</i>	Material	End Type
# CS-1219-0254-18-M-C	12.19 <i>0.480</i>	25.4 <i>1.000</i>	1.83 <i>0.072</i>	-	-	24.87	-	Spring Steel	Closed
# CS-1219-0381-09-M-C	12.19 <i>0.480</i>	38.1 <i>1.500</i>	0.99 <i>0.039</i>	-	-	1.03	-	Spring Steel	Closed
# CS-1219-0381-10-M-C	12.19 <i>0.480</i>	38.1 <i>1.500</i>	1.04 <i>0.041</i>	-	-	1.51	-	Spring Steel	Closed
# CS-1219-0381-11-M-C	12.19 <i>0.480</i>	38.1 <i>1.500</i>	1.14 <i>0.045</i>	-	-	1.94	-	Spring Steel	Closed
# CS-1219-0381-12-M-C	12.19 <i>0.480</i>	38.1 <i>1.500</i>	1.19 <i>0.047</i>	-	-	2.52	-	Spring Steel	Closed
# CS-1219-0381-13-M-C	12.19 <i>0.480</i>	38.1 <i>1.500</i>	1.30 <i>0.051</i>	-	-	2.82	-	Spring Steel	Closed
CS-1219-0381-14-M-C	12.19 <i>0.480</i>	38.1 <i>1.500</i>	1.40 <i>0.055</i>	-	-	3.87	-	Spring Steel	Closed
CS-1219-0381-15-M-C	12.19 <i>0.480</i>	38.1 <i>1.500</i>	1.50 <i>0.059</i>	-	-	4.92	-	Spring Steel	Closed
# CS-1219-0381-16-M-C	12.19 <i>0.480</i>	38.1 <i>1.500</i>	1.57 <i>0.062</i>	-	-	6.50	-	Spring Steel	Closed
# CS-1219-0381-18-M-C	12.19 <i>0.480</i>	38.1 <i>1.500</i>	1.83 <i>0.072</i>	-	-	14.19	-	Spring Steel	Closed

Indicates item not stocked at time of printing - Please enquire for lead time

Page 39 of 66

E&OE Pricing and all details subject to change without notice - Copyright Miniature Bearings Australia Pty Ltd
MBA Size Listings are a guide to sizes only and must not be solely relied on for critical design information.

Springs - Compression - Standard - Steel

Part Number	Spring OD (D0) mm <i>inches</i>	Free Length (L0) mm <i>inches</i>	Wire Diameter (d) mm <i>inches</i>	Loaded Height (L1) mm <i>inches</i>	Load at L1 N	Rate (P/f) N/mm	Solid Height (Sh) mm <i>inches</i>	Material	End Type
# CS-1219-0127-16-M-G	12.19 <i>0.480</i>	12.7 <i>0.500</i>	1.60 <i>0.063</i>			21.020	7.520 <i>0.296</i>	Spring Steel	Ground Flush
# CS-1219-0191-16-M-G	12.19 <i>0.480</i>	19.1 <i>0.752</i>	1.60 <i>0.063</i>			13.660	9.860 <i>0.388</i>	Spring Steel	Ground Flush
# CS-1219-0254-16-M-G	12.19 <i>0.480</i>	25.4 <i>1.000</i>	1.60 <i>0.063</i>			9.980	12.320 <i>0.485</i>	Spring Steel	Ground Flush
# CS-1219-0381-16-M-G	12.19 <i>0.480</i>	38.1 <i>1.500</i>	1.60 <i>0.063</i>			6.650	16.890 <i>0.665</i>	Spring Steel	Ground Flush
CS-1219-0508-09-M-C	12.19 <i>0.480</i>	50.8 <i>2.000</i>	0.89 <i>0.035</i>			0.580	9.860 <i>0.388</i>	Spring Steel	Closed
# CS-1219-0508-10-M-C	12.19 <i>0.480</i>	50.8 <i>2.000</i>	0.99 <i>0.039</i>			0.940	11.730 <i>0.462</i>	Spring Steel	Closed
# CS-1219-0508-12-M-C	12.19 <i>0.480</i>	50.8 <i>2.000</i>	1.25 <i>0.049</i>			1.890	16.280 <i>0.641</i>	Spring Steel	Closed
# CS-1219-0508-14-M-C	12.19 <i>0.480</i>	50.8 <i>2.000</i>	1.40 <i>0.055</i>			2.940	18.420 <i>0.725</i>	Spring Steel	Closed
CS-1219-0508-16-M-G	12.19 <i>0.480</i>	50.8 <i>2.000</i>	1.60 <i>0.063</i>			4.890	22.730 <i>0.895</i>	Spring Steel	Ground Flush
# CS-1219-0572-16-M-G	12.19 <i>0.480</i>	57.2 <i>2.252</i>	1.60 <i>0.063</i>			4.310	25.120 <i>0.989</i>	Spring Steel	Ground Flush

Indicates item not stocked at time of printing - Please enquire for lead time

Page 40 of 66

E&OE Pricing and all details subject to change without notice - Copyright Miniature Bearings Australia Pty Ltd
MBA Size Listings are a guide to sizes only and must not be solely relied on for critical design information.

Springs - Compression - Standard - Steel

Part Number	Spring OD (D0) mm <i>inches</i>	Free Length (L0) mm <i>inches</i>	Wire Diameter (d) mm <i>inches</i>	Loaded Height (L1) mm <i>inches</i>	Load at L1 N	Rate (P/f) N/mm	Solid Height (Sh) mm <i>inches</i>	Material	End Type
# CS-1219-0635-09-M-C	12.19 <i>0.480</i>	63.5 <i>2.500</i>	0.89 <i>0.035</i>			0.500	10.900 <i>0.429</i>	Spring Steel	Closed
CS-1219-0635-10-M-C	12.19 <i>0.480</i>	63.5 <i>2.500</i>	0.99 <i>0.039</i>			0.800	13.210 <i>0.520</i>	Spring Steel	Closed
# CS-1219-0635-12-M-C	12.19 <i>0.480</i>	63.5 <i>2.500</i>	1.25 <i>0.049</i>			1.500	19.560 <i>0.770</i>	Spring Steel	Closed
# CS-1219-0635-14-M-C	12.19 <i>0.480</i>	63.5 <i>2.500</i>	1.40 <i>0.055</i>			2.330	22.200 <i>0.874</i>	Spring Steel	Closed
# CS-1219-0635-16-M-G	12.19 <i>0.480</i>	63.5 <i>2.500</i>	1.60 <i>0.063</i>			3.850	27.510 <i>1.083</i>	Spring Steel	Ground Flush
# CS-1219-0699-16-M-G	12.19 <i>0.480</i>	69.9 <i>2.752</i>	1.60 <i>0.063</i>			3.490	29.900 <i>1.177</i>	Spring Steel	Ground Flush
# CS-1219-0762-09-M-C	12.19 <i>0.480</i>	76.2 <i>3.000</i>	0.89 <i>0.035</i>			0.420	12.550 <i>0.494</i>	Spring Steel	Closed
# CS-1219-0762-10-M-C	12.19 <i>0.480</i>	76.2 <i>3.000</i>	0.99 <i>0.039</i>			0.660	15.290 <i>0.602</i>	Spring Steel	Closed
# CS-1219-0762-12-M-C	12.19 <i>0.480</i>	76.2 <i>3.000</i>	1.25 <i>0.049</i>			1.230	22.830 <i>0.899</i>	Spring Steel	Closed
# CS-1219-0762-14-M-C	12.19 <i>0.480</i>	76.2 <i>3.000</i>	1.40 <i>0.055</i>			2.010	24.920 <i>0.981</i>	Spring Steel	Closed

Indicates item not stocked at time of printing - Please enquire for lead time

Page 41 of 66

E&OE Pricing and all details subject to change without notice - Copyright Miniature Bearings Australia Pty Ltd
MBA Size Listings are a guide to sizes only and must not be solely relied on for critical design information.

Springs - Compression - Standard - Steel

Part Number	Spring OD (D0) mm <i>inches</i>	Free Length (L0) mm <i>inches</i>	Wire Diameter (d) mm <i>inches</i>	Loaded Height (L1) mm <i>inches</i>	Load at L1 N	Rate (P/f) N/mm	Solid Height (Sh) mm <i>inches</i>	Material	End Type
# CS-1219-0762-16-M-G	12.19 <i>0.480</i>	76.2 <i>3.000</i>	1.60 <i>0.063</i>			3.190	32.280 <i>1.271</i>	Spring Steel	Ground Flush
CS-1232-2540-12-M	12.32 <i>0.485</i>	254.0 <i>10.000</i>	1.19 <i>0.047</i>	-	-	-	-	Spring Steel	Open
# CS-1270-0508-18-M-G	12.70 <i>0.500</i>	50.8 <i>2.000</i>	1.80 <i>0.071</i>			6.750	25.100 <i>0.988</i>	Spring Steel	Ground Flush
# CS-1270-0635-13-M-C	12.70 <i>0.500</i>	63.5 <i>2.500</i>	1.25 <i>0.049</i>			1.160	20.570 <i>0.810</i>	Spring Steel	Closed
# CS-1270-0635-14-M-C	12.70 <i>0.500</i>	63.5 <i>2.500</i>	1.40 <i>0.055</i>			1.880	22.400 <i>0.882</i>	Spring Steel	Closed
# CS-1270-0889-10-M-C	12.70 <i>0.500</i>	88.9 <i>3.500</i>	1.00 <i>0.039</i>			0.330	20.830 <i>0.820</i>	Spring Steel	Closed
# CS-1270-1016-16-M-G	12.70 <i>0.500</i>	101.6 <i>4.000</i>	1.60 <i>0.063</i>			1.940	42.400 <i>1.669</i>	Spring Steel	Ground Flush
# CS-1270-2540-16-M	12.70 <i>0.500</i>	254.0 <i>10.000</i>	1.60 <i>0.063</i>	-	-	-	-	Spring Steel	Open
# CS-1270-2540-19-M	12.70 <i>0.500</i>	254.0 <i>10.000</i>	1.91 <i>0.075</i>	-	-	-	-	Spring Steel	Open
# CS-1270-2540-22-M	12.70 <i>0.500</i>	254.0 <i>10.000</i>	2.18 <i>0.086</i>	-	-	-	-	Spring Steel	Open

Indicates item not stocked at time of printing - Please enquire for lead time

Page 42 of 66

E&OE Pricing and all details subject to change without notice - Copyright Miniature Bearings Australia Pty Ltd
MBA Size Listings are a guide to sizes only and must not be solely relied on for critical design information.

Springs - Compression - Standard - Steel

Part Number	Spring OD (D0) mm <i>inches</i>	Free Length (L0) mm <i>inches</i>	Wire Diameter (d) mm <i>inches</i>	Loaded Height (L1) mm <i>inches</i>	Load at L1 N	Rate (P/f) N/mm	Solid Height (Sh) mm <i>inches</i>	Material	End Type
# CS-1270-2540-24-M	12.70 <i>0.500</i>	254.0 <i>10.000</i>	2.36 <i>0.093</i>	-	-	-	-	Spring Steel	Open
# CS-1270-2540-29-M	12.70 <i>0.500</i>	254.0 <i>10.000</i>	2.90 <i>0.114</i>	-	-	-	-	Spring Steel	Open
# CS-1273-2540-14-M	12.73 <i>0.501</i>	254.0 <i>10.000</i>	1.40 <i>0.055</i>	-	-	-	-	Spring Steel	Open
# CS-1308-2540-16-M	13.08 <i>0.515</i>	254.0 <i>10.000</i>	1.57 <i>0.062</i>	-	-	-	-	Spring Steel	Open
# CS-1359-2540-18-M	13.59 <i>0.535</i>	254.0 <i>10.000</i>	1.83 <i>0.072</i>	-	-	-	-	Spring Steel	Open
# CS-1379-2540-19-M	13.79 <i>0.543</i>	254.0 <i>10.000</i>	1.93 <i>0.076</i>	-	-	-	-	Spring Steel	Open
# CS-1426-0635-16-M-G	14.26 <i>0.561</i>	63.5 <i>2.500</i>	1.60 <i>0.063</i>	-	-	2.370	24.900 <i>0.980</i>	Spring Steel	Ground Flush
# CS-1427-2540-16-M	14.27 <i>0.562</i>	254.0 <i>10.000</i>	1.57 <i>0.062</i>	-	-	-	-	Spring Steel	Open
# CS-1427-2540-24-M	14.27 <i>0.562</i>	254.0 <i>10.000</i>	2.36 <i>0.093</i>	-	-	-	-	Spring Steel	Open
# CS-1473-2540-20-M	14.73 <i>0.580</i>	254.0 <i>10.000</i>	2.03 <i>0.080</i>	-	-	-	-	Spring Steel	Open

Indicates item not stocked at time of printing - Please enquire for lead time

Page 43 of 66

E&OE Pricing and all details subject to change without notice - Copyright Miniature Bearings Australia Pty Ltd

MBA Size Listings are a guide to sizes only and must not be solely relied on for critical design information.

Springs - Compression - Standard - Steel

Part Number	Spring OD (D0) mm <i>inches</i>	Free Length (L0) mm <i>inches</i>	Wire Diameter (d) mm <i>inches</i>	Loaded Height (L1) mm <i>inches</i>	Load at L1 N	Rate (P/f) N/mm	Solid Height (Sh) mm <i>inches</i>	Material	End Type
# CS-1524-0254-12-M-C	15.24 <i>0.600</i>	25.4 <i>1.000</i>	1.25 <i>0.049</i>			2.840	7.540 <i>0.297</i>	Spring Steel	Closed
# CS-1524-0254-14-M-C	15.24 <i>0.600</i>	25.4 <i>1.000</i>	1.40 <i>0.055</i>			4.200	7.720 <i>0.304</i>	Spring Steel	Closed
# CS-1524-0254-16-M-G	15.24 <i>0.600</i>	25.4 <i>1.000</i>	1.60 <i>0.063</i>			6.650	9.600 <i>0.378</i>	Spring Steel	Ground Flush
# CS-1524-0254-18-M-G	15.24 <i>0.600</i>	25.4 <i>1.000</i>	1.80 <i>0.071</i>			9.630	12.750 <i>0.502</i>	Spring Steel	Ground Flush
# CS-1524-0318-25-M	15.24 <i>0.600</i>	31.8 <i>1.252</i>	2.49 <i>0.098</i>	-	996	-	20.27 <i>0.798</i>	Spring Steel	
# CS-1524-0381-12-M-C	15.24 <i>0.600</i>	38.1 <i>1.500</i>	1.25 <i>0.049</i>			1.821	9.650 <i>0.380</i>	Spring Steel	Closed
# CS-1524-0381-14-M-C	15.24 <i>0.600</i>	38.1 <i>1.500</i>	1.40 <i>0.055</i>			2.630	10.670 <i>0.420</i>	Spring Steel	Closed
# CS-1524-0381-16-M-G	15.24 <i>0.600</i>	38.1 <i>1.500</i>	1.60 <i>0.063</i>			4.200	13.360 <i>0.526</i>	Spring Steel	Ground Flush
# CS-1524-0381-18-M-G	15.24 <i>0.600</i>	38.1 <i>1.500</i>	1.80 <i>0.071</i>			6.300	17.550 <i>0.691</i>	Spring Steel	Ground Flush
# CS-1524-0508-12-M-C	15.24 <i>0.600</i>	50.8 <i>2.000</i>	1.25 <i>0.049</i>			1.348	11.760 <i>0.463</i>	Spring Steel	Closed

Indicates item not stocked at time of printing - Please enquire for lead time

Page 44 of 66

E&OE Pricing and all details subject to change without notice - Copyright Miniature Bearings Australia Pty Ltd
MBA Size Listings are a guide to sizes only and must not be solely relied on for critical design information.

Springs - Compression - Standard - Steel

Part Number	Spring OD (D0) mm <i>inches</i>	Free Length (L0) mm <i>inches</i>	Wire Diameter (d) mm <i>inches</i>	Loaded Height (L1) mm <i>inches</i>	Load at L1 N	Rate (P/f) N/mm	Solid Height (Sh) mm <i>inches</i>	Material	End Type
# CS-1524-0508-14-M-C	15.24 <i>0.600</i>	50.8 <i>2.000</i>	1.40 <i>0.055</i>			1.979	14.270 <i>0.562</i>	Spring Steel	Closed
# CS-1524-0508-16-M-G	15.24 <i>0.600</i>	50.8 <i>2.000</i>	1.60 <i>0.063</i>			3.150	17.780 <i>0.700</i>	Spring Steel	Ground Flush
# CS-1524-0508-18-M-G	15.24 <i>0.600</i>	50.8 <i>2.000</i>	1.80 <i>0.071</i>			4.900	21.540 <i>0.848</i>	Spring Steel	Ground Flush
# CS-1524-0635-12-M-C	15.24 <i>0.600</i>	63.5 <i>2.500</i>	1.25 <i>0.049</i>			1.068	13.870 <i>0.546</i>	Spring Steel	Closed
# CS-1524-0635-14-M-C	15.24 <i>0.600</i>	63.5 <i>2.500</i>	1.40 <i>0.055</i>			1.559	16.940 <i>0.667</i>	Spring Steel	Closed
# CS-1524-0635-16-M-G	15.24 <i>0.600</i>	63.5 <i>2.500</i>	1.60 <i>0.063</i>			2.490	21.230 <i>0.836</i>	Spring Steel	Ground Flush
# CS-1524-0635-18-M-G	15.24 <i>0.600</i>	63.5 <i>2.500</i>	1.80 <i>0.071</i>			4.050	26.240 <i>1.033</i>	Spring Steel	Ground Flush
# CS-1524-0762-12-M-C	15.24 <i>0.600</i>	76.2 <i>3.000</i>	1.25 <i>0.049</i>			0.876	15.980 <i>0.629</i>	Spring Steel	Closed
# CS-1524-0762-14-M-C	15.24 <i>0.600</i>	76.2 <i>3.000</i>	1.40 <i>0.055</i>			1.331	19.100 <i>0.752</i>	Spring Steel	Closed
# CS-1524-0762-16-M-G	15.24 <i>0.600</i>	76.2 <i>3.000</i>	1.60 <i>0.063</i>			2.190	23.550 <i>0.927</i>	Spring Steel	Ground Flush

Indicates item not stocked at time of printing - Please enquire for lead time

Page 45 of 66

E&OE Pricing and all details subject to change without notice - Copyright Miniature Bearings Australia Pty Ltd
MBA Size Listings are a guide to sizes only and must not be solely relied on for critical design information.

Springs - Compression - Standard - Steel

Part Number	Spring OD (D0) mm <i>inches</i>	Free Length (L0) mm <i>inches</i>	Wire Diameter (d) mm <i>inches</i>	Loaded Height (L1) mm <i>inches</i>	Load at L1 N	Rate (P/f) N/mm	Solid Height (Sh) mm <i>inches</i>	Material	End Type
# CS-1524-0762-18-M-G	15.24 <i>0.600</i>	76.2 <i>3.000</i>	1.80 <i>0.071</i>			3.340	30.630 <i>1.206</i>	Spring Steel	Ground Flush
CS-1524-0889-16-M-G	15.24 <i>0.600</i>	88.9 <i>3.500</i>	1.60 <i>0.063</i>			1.856	26.800 <i>1.055</i>	Spring Steel	Ground Flush
CS-1588-2540-16-M	15.88 <i>0.625</i>	254.0 <i>10.000</i>	1.57 <i>0.062</i>	-	-	-	-	Spring Steel	Open
# CS-1590-0076-22-M-G	15.90 <i>0.626</i>	7.6 <i>0.299</i>	2.24 <i>0.088</i>			7.810	32.400 <i>1.276</i>	Spring Steel	Ground Flush
# CS-1590-0635-14-M-C	15.90 <i>0.626</i>	63.5 <i>2.500</i>	1.40 <i>0.055</i>			0.960	22.400 <i>0.882</i>	Spring Steel	Closed
# CS-1590-0635-18-M-G	15.90 <i>0.626</i>	63.5 <i>2.500</i>	1.80 <i>0.071</i>			3.280	24.400 <i>0.961</i>	Spring Steel	Ground Flush
# CS-1590-0635-20-M-G	15.90 <i>0.626</i>	63.5 <i>2.500</i>	2.00 <i>0.079</i>			4.630	30.200 <i>1.189</i>	Spring Steel	Ground Flush
# CS-1590-1016-16-M-G	15.90 <i>0.626</i>	101.6 <i>4.000</i>	1.60 <i>0.063</i>			1.070	36.800 <i>1.449</i>	Spring Steel	Ground Flush
# CS-1626-2540-16-M	16.26 <i>0.640</i>	254.0 <i>10.000</i>	1.57 <i>0.062</i>	-	-	-	-	Spring Steel	Open
# CS-1676-2540-18-M	16.76 <i>0.660</i>	254.0 <i>10.000</i>	1.83 <i>0.072</i>	-	-	-	-	Spring Steel	Open

Indicates item not stocked at time of printing - Please enquire for lead time

Page 46 of 66

E&OE Pricing and all details subject to change without notice - Copyright Miniature Bearings Australia Pty Ltd
MBA Size Listings are a guide to sizes only and must not be solely relied on for critical design information.

Springs - Compression - Standard - Steel

Part Number	Spring OD (D0) mm <i>inches</i>	Free Length (L0) mm <i>inches</i>	Wire Diameter (d) mm <i>inches</i>	Loaded Height (L1) mm <i>inches</i>	Load at L1 N	Rate (P/f) N/mm	Solid Height (Sh) mm <i>inches</i>	Material	End Type
CS-1717-2540-20-M	17.17 <i>0.676</i>	254.0 <i>10.000</i>	2.03 <i>0.080</i>	-	-	-	-	Spring Steel	Open
# CS-1745-2540-24-M	17.45 <i>0.687</i>	254.0 <i>10.000</i>	2.36 <i>0.093</i>	-	-	-	-	Spring Steel	Open
CS-1748-0461-23-Z	17.48 <i>0.688</i>	46.1 <i>1.815</i>	2.30 <i>0.091</i>	-	-	-	-	Spring Steel Zinc Plated	Open
# CS-1748-2540-22-M	17.48 <i>0.688</i>	254.0 <i>10.000</i>	2.18 <i>0.086</i>	-	-	-	-	Spring Steel	Open
# CS-1783-2540-24-M	17.83 <i>0.702</i>	254.0 <i>10.000</i>	2.36 <i>0.093</i>	-	-	-	-	Spring Steel	Open
# CS-1791-2540-20-M	17.91 <i>0.705</i>	254.0 <i>10.000</i>	2.03 <i>0.080</i>	-	-	-	-	Spring Steel	Open
# CS-1824-2540-16-M	18.24 <i>0.718</i>	254.0 <i>10.000</i>	1.57 <i>0.062</i>	-	-	-	-	Spring Steel	Open
CS-1826-0381-19-Z	18.20 <i>0.717</i>	38.1 <i>1.500</i>	1.90 <i>0.075</i>	-	-	-	-	Spring Steel Zinc Plated	Open
CS-1829-0254-14-M-C	18.29 <i>0.720</i>	25.4 <i>1.000</i>	1.40 <i>0.055</i>	-	-	3.240	6.300 <i>0.248</i>	Spring Steel	Closed
# CS-1829-0254-16-M-G	18.29 <i>0.720</i>	25.4 <i>1.000</i>	1.60 <i>0.063</i>	-	-	4.200	8.740 <i>0.344</i>	Spring Steel	Ground Flush

Indicates item not stocked at time of printing - Please enquire for lead time

Page 47 of 66

E&OE Pricing and all details subject to change without notice - Copyright Miniature Bearings Australia Pty Ltd
MBA Size Listings are a guide to sizes only and must not be solely relied on for critical design information.

Springs - Compression - Standard - Steel

Part Number	Spring OD (D0) mm <i>inches</i>	Free Length (L0) mm <i>inches</i>	Wire Diameter (d) mm <i>inches</i>	Loaded Height (L1) mm <i>inches</i>	Load at L1 N	Rate (P/f) N/mm	Solid Height (Sh) mm <i>inches</i>	Material	End Type
# CS-1829-0254-18-M-G	18.29 <i>0.720</i>	25.4 <i>1.000</i>	1.80 <i>0.071</i>			7.630	10.080 <i>0.397</i>	Spring Steel	Ground Flush
# CS-1829-0254-20-M-G	18.29 <i>0.720</i>	25.4 <i>1.000</i>	2.01 <i>0.079</i>			11.380	12.900 <i>0.508</i>	Spring Steel	Ground Flush
# CS-1829-0381-14-M-C	18.29 <i>0.720</i>	38.1 <i>1.500</i>	1.40 <i>0.055</i>			2.010	8.460 <i>0.333</i>	Spring Steel	Closed
# CS-1829-0381-16-M-G	18.29 <i>0.720</i>	38.1 <i>1.500</i>	1.60 <i>0.063</i>			2.630	12.070 <i>0.475</i>	Spring Steel	Ground Flush
# CS-1829-0381-18-M-G	18.29 <i>0.720</i>	38.1 <i>1.500</i>	1.80 <i>0.071</i>			4.550	14.070 <i>0.554</i>	Spring Steel	Ground Flush
# CS-1829-0381-20-M-G	18.29 <i>0.720</i>	38.1 <i>1.500</i>	2.01 <i>0.079</i>			5.990	16.890 <i>0.665</i>	Spring Steel	Ground Flush
# CS-1829-0508-14-M-C	18.29 <i>0.720</i>	50.8 <i>2.000</i>	1.40 <i>0.055</i>			1.489	10.440 <i>0.411</i>	Spring Steel	Closed
# CS-1829-0508-16-M-G	18.29 <i>0.720</i>	50.8 <i>2.000</i>	1.60 <i>0.063</i>			1.926	15.260 <i>0.601</i>	Spring Steel	Ground Flush
# CS-1829-0508-18-M-G	18.29 <i>0.720</i>	50.8 <i>2.000</i>	1.80 <i>0.071</i>			3.500	17.200 <i>0.677</i>	Spring Steel	Ground Flush
# CS-1829-0508-20-M-G	18.29 <i>0.720</i>	50.8 <i>2.000</i>	2.01 <i>0.079</i>			5.180	20.900 <i>0.823</i>	Spring Steel	Ground Flush

Indicates item not stocked at time of printing - Please enquire for lead time

Page 48 of 66

E&OE Pricing and all details subject to change without notice - Copyright Miniature Bearings Australia Pty Ltd
MBA Size Listings are a guide to sizes only and must not be solely relied on for critical design information.

Springs - Compression - Standard - Steel

Part Number	Spring OD (D0) mm <i>inches</i>	Free Length (L0) mm <i>inches</i>	Wire Diameter (d) mm <i>inches</i>	Loaded Height (L1) mm <i>inches</i>	Load at L1 N	Rate (P/f) N/mm	Solid Height (Sh) mm <i>inches</i>	Material	End Type
# CS-1829-0635-14-M-C	18.29 <i>0.720</i>	63.5 <i>2.500</i>	1.40 <i>0.055</i>			1.208	13.180 <i>0.519</i>	Spring Steel	Closed
# CS-1829-0635-16-M-G	18.29 <i>0.720</i>	63.5 <i>2.500</i>	1.60 <i>0.063</i>			1.891	16.610 <i>0.654</i>	Spring Steel	Ground Flush
# CS-1829-0635-18-M-G	18.29 <i>0.720</i>	63.5 <i>2.500</i>	1.80 <i>0.071</i>			2.990	20.700 <i>0.815</i>	Spring Steel	Ground Flush
# CS-1829-0635-20-M-G	18.29 <i>0.720</i>	63.5 <i>2.500</i>	2.01 <i>0.079</i>			4.080	24.920 <i>0.981</i>	Spring Steel	Ground Flush
# CS-1829-0762-14-M-C	18.29 <i>0.720</i>	76.2 <i>3.000</i>	1.40 <i>0.055</i>			0.998	15.060 <i>0.593</i>	Spring Steel	Closed
# CS-1829-0762-16-M-G	18.29 <i>0.720</i>	76.2 <i>3.000</i>	1.60 <i>0.063</i>			1.559	19.080 <i>0.751</i>	Spring Steel	Ground Flush
# CS-1829-0762-18-M-G	18.29 <i>0.720</i>	76.2 <i>3.000</i>	1.80 <i>0.071</i>			2.470	23.930 <i>0.942</i>	Spring Steel	Ground Flush
# CS-1829-0762-20-M-G	18.29 <i>0.720</i>	76.2 <i>3.000</i>	2.01 <i>0.079</i>			3.340	28.930 <i>1.139</i>	Spring Steel	Ground Flush
# CS-1829-0889-18-M-G	18.29 <i>0.720</i>	88.9 <i>3.500</i>	1.80 <i>0.071</i>			2.100	27.150 <i>1.069</i>	Spring Steel	Ground Flush
# CS-1829-0889-20-M-G	18.29 <i>0.720</i>	88.9 <i>3.500</i>	2.01 <i>0.079</i>			2.960	32.940 <i>1.297</i>	Spring Steel	Ground Flush

Indicates item not stocked at time of printing - Please enquire for lead time

Page 49 of 66

E&OE Pricing and all details subject to change without notice - Copyright Miniature Bearings Australia Pty Ltd
MBA Size Listings are a guide to sizes only and must not be solely relied on for critical design information.

Springs - Compression - Standard - Steel

Part Number	Spring OD (D0) mm <i>inches</i>	Free Length (L0) mm <i>inches</i>	Wire Diameter (d) mm <i>inches</i>	Loaded Height (L1) mm <i>inches</i>	Load at L1 N	Rate (P/f) N/mm	Solid Height (Sh) mm <i>inches</i>	Material	End Type
# CS-1829-1016-18-M-G	18.29 <i>0.720</i>	101.6 <i>4.000</i>	1.80 <i>0.071</i>			1.856	30.020 <i>1.182</i>	Spring Steel	Ground Flush
# CS-1829-1016-20-M-G	18.29 <i>0.720</i>	101.6 <i>4.000</i>	2.01 <i>0.079</i>			2.480	36.960 <i>1.455</i>	Spring Steel	Ground Flush
# CS-1854-2540-27-M	18.54 <i>0.730</i>	254.0 <i>10.000</i>	2.67 <i>0.105</i>	-	-	-	-	Spring Steel	Open
# CS-1905-0762-16-M-G	19.05 <i>0.750</i>	76.2 <i>3.000</i>	1.60 <i>0.063</i>			0.980	23.400 <i>0.921</i>	Spring Steel	Ground Flush
# CS-1905-0762-18-M-G	19.05 <i>0.750</i>	76.2 <i>3.000</i>	1.80 <i>0.071</i>			1.710	25.100 <i>0.988</i>	Spring Steel	Ground Flush
# CS-1905-0762-20-M-G	19.05 <i>0.750</i>	76.2 <i>3.000</i>	2.00 <i>0.079</i>			2.820	27.200 <i>1.071</i>	Spring Steel	Ground Flush
# CS-1905-0762-28-M-G	19.05 <i>0.750</i>	76.2 <i>3.000</i>	2.80 <i>0.110</i>			11.660	39.100 <i>1.539</i>	Spring Steel	Ground Flush
# CS-1905-0889-22-M-G	19.05 <i>0.750</i>	88.9 <i>3.500</i>	2.24 <i>0.088</i>			3.710	35.800 <i>1.409</i>	Spring Steel	Ground Flush
# CS-1905-0889-32-M-G	19.05 <i>0.750</i>	88.9 <i>3.500</i>	3.15 <i>0.124</i>			15.140	56.900 <i>2.240</i>	Spring Steel	Ground Flush
# CS-1984-2540-16-M	19.84 <i>0.781</i>	254.0 <i>10.000</i>	1.57 <i>0.062</i>	-	-	-	-	Spring Steel	Open

Indicates item not stocked at time of printing - Please enquire for lead time

Page 50 of 66

E&OE Pricing and all details subject to change without notice - Copyright Miniature Bearings Australia Pty Ltd
MBA Size Listings are a guide to sizes only and must not be solely relied on for critical design information.

Springs - Compression - Standard - Steel

Part Number	Spring OD (D0) mm <i>inches</i>	Free Length (L0) mm <i>inches</i>	Wire Diameter (d) mm <i>inches</i>	Loaded Height (L1) mm <i>inches</i>	Load at L1 N	Rate (P/f) N/mm	Solid Height (Sh) mm <i>inches</i>	Material	End Type
# CS-1994-2540-18-M	19.94 <i>0.785</i>	254.0 <i>10.000</i>	1.83 <i>0.072</i>	-	-	-	-	Spring Steel	Open
CS-2065-2540-22-M	20.65 <i>0.813</i>	254.0 <i>10.000</i>	2.18 <i>0.086</i>	-	-	-	-	Spring Steel	Open
# CS-2101-2540-24-M	21.01 <i>0.827</i>	254.0 <i>10.000</i>	2.36 <i>0.093</i>	-	-	-	-	Spring Steel	Open
CS-2108-2540-20-M	21.08 <i>0.830</i>	254.0 <i>10.000</i>	2.03 <i>0.080</i>	-	-	-	-	Spring Steel	Open
# CS-2159-0254-18-M-G	21.59 <i>0.850</i>	25.4 <i>1.000</i>	1.80 <i>0.071</i>	-	-	4.900	9.750 <i>0.384</i>	Spring Steel	Ground Flush
# CS-2159-0381-20-M-G	21.59 <i>0.850</i>	38.1 <i>1.500</i>	2.01 <i>0.079</i>	-	-	4.660	14.550 <i>0.573</i>	Spring Steel	Ground Flush
# CS-2159-0381-22-M-G	21.59 <i>0.850</i>	38.1 <i>1.500</i>	2.24 <i>0.088</i>	-	-	6.830	17.420 <i>0.686</i>	Spring Steel	Ground Flush
# CS-2159-0381-25-M-G	21.59 <i>0.850</i>	38.1 <i>1.500</i>	2.49 <i>0.098</i>	-	-	10.650	18.970 <i>0.747</i>	Spring Steel	Ground Flush
# CS-2159-0508-18-M-G	21.59 <i>0.850</i>	50.8 <i>2.000</i>	1.80 <i>0.071</i>	-	-	2.260	15.700 <i>0.618</i>	Spring Steel	Ground Flush
# CS-2159-0508-20-M-G	21.59 <i>0.850</i>	50.8 <i>2.000</i>	2.01 <i>0.079</i>	-	-	3.390	18.080 <i>0.712</i>	Spring Steel	Ground Flush

Indicates item not stocked at time of printing - Please enquire for lead time

Page 51 of 66

E&OE Pricing and all details subject to change without notice - Copyright Miniature Bearings Australia Pty Ltd
MBA Size Listings are a guide to sizes only and must not be solely relied on for critical design information.

Springs - Compression - Standard - Steel

Part Number	Spring OD (D0) mm <i>inches</i>	Free Length (L0) mm <i>inches</i>	Wire Diameter (d) mm <i>inches</i>	Loaded Height (L1) mm <i>inches</i>	Load at L1 N	Rate (P/f) N/mm	Solid Height (Sh) mm <i>inches</i>	Material	End Type
# CS-2159-0508-22-M-G	21.59 <i>0.850</i>	50.8 <i>2.000</i>	2.24 <i>0.088</i>			4.950	21.840 <i>0.860</i>	Spring Steel	Ground Flush
# CS-2159-0508-25-M-G	21.59 <i>0.850</i>	50.8 <i>2.000</i>	2.49 <i>0.098</i>			7.710	23.880 <i>0.940</i>	Spring Steel	Ground Flush
CS-2159-0635-20-M-G	21.59 <i>0.850</i>	63.5 <i>2.500</i>	2.01 <i>0.079</i>			2.670	21.590 <i>0.850</i>	Spring Steel	Ground Flush
# CS-2159-0635-22-M-G	21.59 <i>0.850</i>	63.5 <i>2.500</i>	2.24 <i>0.088</i>			3.880	26.240 <i>1.033</i>	Spring Steel	Ground Flush
# CS-2159-0635-25-M-G	21.59 <i>0.850</i>	63.5 <i>2.500</i>	2.49 <i>0.098</i>			6.020	28.750 <i>1.132</i>	Spring Steel	Ground Flush
# CS-2159-0762-18-M-G	21.59 <i>0.850</i>	76.2 <i>3.000</i>	1.80 <i>0.071</i>			1.470	21.640 <i>0.852</i>	Spring Steel	Ground Flush
# CS-2159-0762-20-M-G	21.59 <i>0.850</i>	76.2 <i>3.000</i>	2.01 <i>0.079</i>			2.190	25.120 <i>0.989</i>	Spring Steel	Ground Flush
# CS-2159-0762-22-M-G	21.59 <i>0.850</i>	76.2 <i>3.000</i>	2.24 <i>0.088</i>			3.190	30.660 <i>1.207</i>	Spring Steel	Ground Flush
# CS-2159-0762-25-M-G	21.59 <i>0.850</i>	76.2 <i>3.000</i>	2.49 <i>0.098</i>			4.960	33.660 <i>1.325</i>	Spring Steel	Ground Flush
# CS-2159-0889-20-M-G	21.59 <i>0.850</i>	88.9 <i>3.500</i>	2.01 <i>0.079</i>			1.870	28.630 <i>1.127</i>	Spring Steel	Ground Flush

Indicates item not stocked at time of printing - Please enquire for lead time

Page 52 of 66

E&OE Pricing and all details subject to change without notice - Copyright Miniature Bearings Australia Pty Ltd
MBA Size Listings are a guide to sizes only and must not be solely relied on for critical design information.

Springs - Compression - Standard - Steel

Part Number	Spring OD (D0) mm <i>inches</i>	Free Length (L0) mm <i>inches</i>	Wire Diameter (d) mm <i>inches</i>	Loaded Height (L1) mm <i>inches</i>	Load at L1 N	Rate (P/f) N/mm	Solid Height (Sh) mm <i>inches</i>	Material	End Type
# CS-2159-0889-25-M-G	21.59 <i>0.850</i>	88.9 <i>3.500</i>	2.49 <i>0.098</i>			4.200	38.530 <i>1.517</i>	Spring Steel	Ground Flush
# CS-2162-2540-27-M	21.62 <i>0.851</i>	254.0 <i>10.000</i>	2.67 <i>0.105</i>	-	-	-	-	Spring Steel	Open
# CS-2212-2540-29-M	22.12 <i>0.871</i>	254.0 <i>10.000</i>	2.92 <i>0.115</i>	-	-	-	-	Spring Steel	Open
CS-2223-0508-31-Z	22.23 <i>0.875</i>	50.8 <i>2.000</i>	3.05 <i>0.120</i>	-	334.51	-	29.845 <i>1.175</i>	Zinc Plated Spring Steel	
# CS-2223-0762-20-M-G	22.23 <i>0.875</i>	76.2 <i>3.000</i>	2.00 <i>0.079</i>			2.050	23.100 <i>0.909</i>	Spring Steel	Ground Flush
# CS-2223-0762-25-M-G	22.23 <i>0.875</i>	76.2 <i>3.000</i>	2.50 <i>0.098</i>			4.130	34.800 <i>1.370</i>	Spring Steel	Ground Flush
# CS-2223-0762-32-M-G	22.23 <i>0.875</i>	76.2 <i>3.000</i>	3.15 <i>0.124</i>			14.890	36.100 <i>1.421</i>	Spring Steel	Ground Flush
# CS-2223-1016-18-M-G	22.23 <i>0.875</i>	101.6 <i>4.000</i>	1.80 <i>0.071</i>			0.960	27.200 <i>1.071</i>	Spring Steel	Ground Flush
# CS-2329-2540-27-M	23.29 <i>0.917</i>	254.0 <i>10.000</i>	2.67 <i>0.105</i>	-	-	-	-	Spring Steel	Open
# CS-2352-2540-20-M	23.52 <i>0.926</i>	254.0 <i>10.000</i>	2.03 <i>0.080</i>	-	-	-	-	Spring Steel	Open

Indicates item not stocked at time of printing - Please enquire for lead time

Page 53 of 66

E&OE Pricing and all details subject to change without notice - Copyright Miniature Bearings Australia Pty Ltd
MBA Size Listings are a guide to sizes only and must not be solely relied on for critical design information.

Springs - Compression - Standard - Steel

Part Number	Spring OD (D0) mm <i>inches</i>	Free Length (L0) mm <i>inches</i>	Wire Diameter (d) mm <i>inches</i>	Loaded Height (L1) mm <i>inches</i>	Load at L1 N	Rate (P/f) N/mm	Solid Height (Sh) mm <i>inches</i>	Material	End Type
# CS-2380-2540-24-M	23.80 <i>0.937</i>	254.0 <i>10.000</i>	2.36 <i>0.093</i>	-	-	-	-	Spring Steel	Open
# CS-2418-2540-24-M	24.18 <i>0.952</i>	254.0 <i>10.000</i>	2.36 <i>0.093</i>	-	-	-	-	Spring Steel	Open
# CS-2426-2540-20-M	24.26 <i>0.955</i>	254.0 <i>10.000</i>	2.03 <i>0.080</i>	-	-	-	-	Spring Steel	Open
# CS-2477-0254-22-M-G	24.77 <i>0.975</i>	25.4 <i>1.000</i>	2.24 <i>0.088</i>	-	-	8.790	11.580 <i>0.456</i>	Spring Steel	Ground Flush
CS-2477-0254-25-M-G	24.77 <i>0.975</i>	25.4 <i>1.000</i>	2.49 <i>0.098</i>	-	-	13.400	12.220 <i>0.481</i>	Spring Steel	Ground Flush
CS-2477-0318-22-M-G	24.77 <i>0.975</i>	31.8 <i>1.252</i>	2.24 <i>0.088</i>	-	-	6.730	13.340 <i>0.525</i>	Spring Steel	Ground Flush
# CS-2477-0318-31-M-G	24.77 <i>0.975</i>	31.8 <i>1.252</i>	3.15 <i>0.124</i>	-	-	27.210	19.610 <i>0.772</i>	Spring Steel	Ground Flush
# CS-2477-0381-22-M-G	24.77 <i>0.975</i>	38.1 <i>1.500</i>	2.24 <i>0.088</i>	-	-	5.470	15.090 <i>0.594</i>	Spring Steel	Ground Flush
# CS-2477-0381-25-M-G	24.77 <i>0.975</i>	38.1 <i>1.500</i>	2.49 <i>0.098</i>	-	-	8.510	16.030 <i>0.631</i>	Spring Steel	Ground Flush
# CS-2477-0381-28-M-G	24.77 <i>0.975</i>	38.1 <i>1.500</i>	2.79 <i>0.110</i>	-	-	12.890	19.710 <i>0.776</i>	Spring Steel	Ground Flush

Indicates item not stocked at time of printing - Please enquire for lead time

Page 54 of 66

E&OE Pricing and all details subject to change without notice - Copyright Miniature Bearings Australia Pty Ltd
MBA Size Listings are a guide to sizes only and must not be solely relied on for critical design information.

Springs - Compression - Standard - Steel

Part Number	Spring OD (D0) mm <i>inches</i>	Free Length (L0) mm <i>inches</i>	Wire Diameter (d) mm <i>inches</i>	Loaded Height (L1) mm <i>inches</i>	Load at L1 N	Rate (P/f) N/mm	Solid Height (Sh) mm <i>inches</i>	Material	End Type
# CS-2477-0381-31-M-G	24.77 <i>0.975</i>	38.1 <i>1.500</i>	3.15 <i>0.124</i>			21.770	22.530 <i>0.887</i>	Spring Steel	Ground Flush
# CS-2477-0508-22-M-G	24.77 <i>0.975</i>	50.8 <i>2.000</i>	2.24 <i>0.088</i>			3.950	18.590 <i>0.732</i>	Spring Steel	Ground Flush
# CS-2477-0508-25-M-G	24.77 <i>0.975</i>	50.8 <i>2.000</i>	2.49 <i>0.098</i>			6.090	19.810 <i>0.780</i>	Spring Steel	Ground Flush
# CS-2477-0508-28-M-G	24.77 <i>0.975</i>	50.8 <i>2.000</i>	2.79 <i>0.110</i>			7.970	24.640 <i>0.970</i>	Spring Steel	Ground Flush
# CS-2477-0508-31-M-G	24.77 <i>0.975</i>	50.8 <i>2.000</i>	3.15 <i>0.124</i>			15.550	28.370 <i>1.117</i>	Spring Steel	Ground Flush
CS-2477-0635-22-M-G	24.77 <i>0.975</i>	63.5 <i>2.500</i>	2.24 <i>0.088</i>			3.100	22.120 <i>0.871</i>	Spring Steel	Ground Flush
# CS-2477-0635-25-M-G	24.77 <i>0.975</i>	63.5 <i>2.500</i>	2.49 <i>0.098</i>			4.780	23.620 <i>0.930</i>	Spring Steel	Ground Flush
# CS-2477-0635-28-M-G	24.77 <i>0.975</i>	63.5 <i>2.500</i>	2.79 <i>0.110</i>			7.230	29.570 <i>1.164</i>	Spring Steel	Ground Flush
# CS-2477-0635-31-M-G	24.77 <i>0.975</i>	63.5 <i>2.500</i>	3.15 <i>0.124</i>			12.100	34.210 <i>1.347</i>	Spring Steel	Ground Flush
# CS-2477-0762-22-M-G	24.77 <i>0.975</i>	76.2 <i>3.000</i>	2.24 <i>0.088</i>			2.550	25.630 <i>1.009</i>	Spring Steel	Ground Flush

Indicates item not stocked at time of printing - Please enquire for lead time

Page 55 of 66

E&OE Pricing and all details subject to change without notice - Copyright Miniature Bearings Australia Pty Ltd
MBA Size Listings are a guide to sizes only and must not be solely relied on for critical design information.

Springs - Compression - Standard - Steel

Part Number	Spring OD (D0) mm <i>inches</i>	Free Length (L0) mm <i>inches</i>	Wire Diameter (d) mm <i>inches</i>	Loaded Height (L1) mm <i>inches</i>	Load at L1 N	Rate (P/f) N/mm	Solid Height (Sh) mm <i>inches</i>	Material	End Type
# CS-2477-0762-25-M-G	24.77 <i>0.975</i>	76.2 <i>3.000</i>	2.49 <i>0.098</i>			3.940	27.410 <i>1.079</i>	Spring Steel	Ground Flush
# CS-2477-0762-28-M-G	24.77 <i>0.975</i>	76.2 <i>3.000</i>	2.79 <i>0.110</i>			5.970	34.490 <i>1.358</i>	Spring Steel	Ground Flush
# CS-2477-0762-31-M-G	24.77 <i>0.975</i>	76.2 <i>3.000</i>	3.15 <i>0.124</i>			9.890	40.060 <i>1.577</i>	Spring Steel	Ground Flush
# CS-2477-0889-22-M-G	24.77 <i>0.975</i>	88.9 <i>3.500</i>	2.24 <i>0.088</i>			2.160	29.130 <i>1.147</i>	Spring Steel	Ground Flush
# CS-2477-0889-25-M-G	24.77 <i>0.975</i>	88.9 <i>3.500</i>	2.49 <i>0.098</i>			3.340	31.190 <i>1.228</i>	Spring Steel	Ground Flush
# CS-2477-0889-28-M-G	24.77 <i>0.975</i>	88.9 <i>3.500</i>	2.79 <i>0.110</i>			5.010	39.450 <i>1.553</i>	Spring Steel	Ground Flush
# CS-2477-0889-31-M-G	24.77 <i>0.975</i>	88.9 <i>3.500</i>	3.15 <i>0.124</i>			8.370	45.900 <i>1.807</i>	Spring Steel	Ground Flush
# CS-2477-1016-22-M-G	24.77 <i>0.975</i>	101.6 <i>4.000</i>	2.24 <i>0.088</i>			1.880	32.660 <i>1.286</i>	Spring Steel	Ground Flush
# CS-2477-1016-31-M-G	24.77 <i>0.975</i>	101.6 <i>4.000</i>	3.15 <i>0.124</i>			7.250	51.740 <i>2.037</i>	Spring Steel	Ground Flush
# CS-2479-2540-27-M	24.79 <i>0.976</i>	254.0 <i>10.000</i>	2.67 <i>0.105</i>	-	-	-	-	Spring Steel	Open

Indicates item not stocked at time of printing - Please enquire for lead time

Page 56 of 66

E&OE Pricing and all details subject to change without notice - Copyright Miniature Bearings Australia Pty Ltd
MBA Size Listings are a guide to sizes only and must not be solely relied on for critical design information.

Springs - Compression - Standard - Steel

Part Number	Spring OD (D0) mm <i>inches</i>	Free Length (L0) mm <i>inches</i>	Wire Diameter (d) mm <i>inches</i>	Loaded Height (L1) mm <i>inches</i>	Load at L1 N	Rate (P/f) N/mm	Solid Height (Sh) mm <i>inches</i>	Material	End Type
# CS-2530-2540-29-M	25.30 <i>0.996</i>	254.0 <i>10.000</i>	2.92 <i>0.115</i>	-	-	-	-	Spring Steel	Open
# CS-2540-0635-32-M-G	25.40 <i>1.000</i>	63.5 <i>2.500</i>	3.15 <i>0.124</i>			10.420	33.000 <i>1.299</i>	Spring Steel	Ground Flush
# CS-2540-0762-25-M-G	25.40 <i>1.000</i>	76.2 <i>3.000</i>	2.50 <i>0.098</i>			3.500	27.400 <i>1.079</i>	Spring Steel	Ground Flush
# CS-2540-1270-32-M-G	25.40 <i>1.000</i>	127.0 <i>5.000</i>	3.15 <i>0.124</i>			2.450	37.900 <i>1.492</i>	Spring Steel	Ground Flush
# CS-2540-1524-22-M-G	25.40 <i>1.000</i>	152.4 <i>6.000</i>	2.24 <i>0.088</i>			1.330	38.100 <i>1.500</i>	Spring Steel	Ground Flush
CS-2540-2032-36-M-G	25.40 <i>1.000</i>	203.2 <i>8.000</i>	3.55 <i>0.140</i>			7.010	85.300 <i>3.358</i>	Spring Steel	Ground Flush
# CS-2581-2540-32-M	25.81 <i>1.016</i>	254.0 <i>10.000</i>	3.18 <i>0.125</i>	-	-	-	-	Spring Steel	Open
# CS-2616-2540-24-M	26.16 <i>1.030</i>	254.0 <i>10.000</i>	2.36 <i>0.093</i>	-	-	-	-	Spring Steel	Open
# CS-2647-2540-27-M	26.47 <i>1.042</i>	254.0 <i>10.000</i>	2.67 <i>0.105</i>	-	-	-	-	Spring Steel	Open
# CS-2672-2540-29-M	26.72 <i>1.052</i>	254.0 <i>10.000</i>	2.92 <i>0.115</i>	-	-	-	-	Spring Steel	Open

Indicates item not stocked at time of printing - Please enquire for lead time

E&OE Pricing and all details subject to change without notice - Copyright Miniature Bearings Australia Pty Ltd

MBA Size Listings are a guide to sizes only and must not be solely relied on for critical design information.

Springs - Compression - Standard - Steel

Part Number	Spring OD (D0) mm <i>inches</i>	Free Length (L0) mm <i>inches</i>	Wire Diameter (d) mm <i>inches</i>	Loaded Height (L1) mm <i>inches</i>	Load at L1 N	Rate (P/f) N/mm	Solid Height (Sh) mm <i>inches</i>	Material	End Type
# CS-2934-2540-24-M	29.34 <i>1.155</i>	254.0 <i>10.000</i>	2.36 <i>0.093</i>	-	-	-	-	Spring Steel	Open
# CS-2990-2540-29-M	29.90 <i>1.177</i>	254.0 <i>10.000</i>	2.92 <i>0.115</i>	-	-	-	-	Spring Steel	Open
# CS-3061-2540-20-M	30.61 <i>1.205</i>	254.0 <i>10.000</i>	2.03 <i>0.080</i>	-	-	-	-	Spring Steel	Open
# CS-3112-0254-28-M-G	31.12 <i>1.225</i>	25.4 <i>1.000</i>	2.79 <i>0.110</i>	-	-	14.620	12.400 <i>0.488</i>	Spring Steel	Ground Flush
# CS-3112-0381-25-M-G	31.12 <i>1.225</i>	38.1 <i>1.500</i>	2.49 <i>0.098</i>	-	-	5.960	12.750 <i>0.502</i>	Spring Steel	Ground Flush
# CS-3112-0381-28-M-G	31.12 <i>1.225</i>	38.1 <i>1.500</i>	2.79 <i>0.110</i>	-	-	8.890	15.820 <i>0.623</i>	Spring Steel	Ground Flush
# CS-3112-0381-31-M-G	31.12 <i>1.225</i>	38.1 <i>1.500</i>	3.15 <i>0.124</i>	-	-	14.120	18.310 <i>0.721</i>	Spring Steel	Ground Flush
# CS-3112-0381-36-M-G	31.12 <i>1.225</i>	38.1 <i>1.500</i>	3.56 <i>0.140</i>	-	-	21.610	22.560 <i>0.888</i>	Spring Steel	Ground Flush
# CS-3112-0508-25-M-G	31.12 <i>1.225</i>	50.8 <i>2.000</i>	2.49 <i>0.098</i>	-	-	4.290	15.290 <i>0.602</i>	Spring Steel	Ground Flush
# CS-3112-0508-28-M-G	31.12 <i>1.225</i>	50.8 <i>2.000</i>	2.79 <i>0.110</i>	-	-	6.390	19.230 <i>0.757</i>	Spring Steel	Ground Flush

Indicates item not stocked at time of printing - Please enquire for lead time

Page 58 of 66

E&OE Pricing and all details subject to change without notice - Copyright Miniature Bearings Australia Pty Ltd
MBA Size Listings are a guide to sizes only and must not be solely relied on for critical design information.

Springs - Compression - Standard - Steel

Part Number	Spring OD (D0) mm <i>inches</i>	Free Length (L0) mm <i>inches</i>	Wire Diameter (d) mm <i>inches</i>	Loaded Height (L1) mm <i>inches</i>	Load at L1 N	Rate (P/f) N/mm	Solid Height (Sh) mm <i>inches</i>	Material	End Type
# CS-3112-0508-31-M-G	31.12 <i>1.225</i>	50.8 <i>2.000</i>	3.15 <i>0.124</i>			10.090	22.480 <i>0.885</i>	Spring Steel	Ground Flush
# CS-3112-0508-36-M-G	31.12 <i>1.225</i>	50.8 <i>2.000</i>	3.56 <i>0.140</i>			15.250	28.040 <i>1.104</i>	Spring Steel	Ground Flush
# CS-3112-0635-25-M-G	31.12 <i>1.225</i>	63.5 <i>2.500</i>	2.49 <i>0.098</i>			3.360	17.380 <i>0.684</i>	Spring Steel	Ground Flush
# CS-3112-0635-28-M-G	31.12 <i>1.225</i>	63.5 <i>2.500</i>	2.79 <i>0.110</i>			4.980	22.630 <i>0.891</i>	Spring Steel	Ground Flush
# CS-3112-0635-31-M-G	31.12 <i>1.225</i>	63.5 <i>2.500</i>	3.15 <i>0.124</i>			7.850	26.620 <i>1.048</i>	Spring Steel	Ground Flush
# CS-3112-0635-36-M-G	31.12 <i>1.225</i>	63.5 <i>2.500</i>	3.56 <i>0.140</i>			11.800	33.500 <i>1.319</i>	Spring Steel	Ground Flush
# CS-3112-0762-25-M-G	31.12 <i>1.225</i>	76.2 <i>3.000</i>	2.49 <i>0.098</i>			2.770	20.370 <i>0.802</i>	Spring Steel	Ground Flush
# CS-3112-0762-28-M-G	31.12 <i>1.225</i>	76.2 <i>3.000</i>	2.79 <i>0.110</i>			4.080	26.060 <i>1.026</i>	Spring Steel	Ground Flush
# CS-3112-0762-31-M-G	31.12 <i>1.225</i>	76.2 <i>3.000</i>	3.15 <i>0.124</i>			6.430	30.780 <i>1.212</i>	Spring Steel	Ground Flush
# CS-3112-0762-36-M-G	31.12 <i>1.225</i>	76.2 <i>3.000</i>	3.56 <i>0.140</i>			9.610	38.910 <i>1.532</i>	Spring Steel	Ground Flush

Indicates item not stocked at time of printing - Please enquire for lead time

Page 59 of 66

E&OE Pricing and all details subject to change without notice - Copyright Miniature Bearings Australia Pty Ltd
MBA Size Listings are a guide to sizes only and must not be solely relied on for critical design information.

Springs - Compression - Standard - Steel

Part Number	Spring OD (D0) mm <i>inches</i>	Free Length (L0) mm <i>inches</i>	Wire Diameter (d) mm <i>inches</i>	Loaded Height (L1) mm <i>inches</i>	Load at L1 N	Rate (P/f) N/mm	Solid Height (Sh) mm <i>inches</i>	Material	End Type
# CS-3112-0889-25-M-G	31.12 <i>1.225</i>	88.9 <i>3.500</i>	2.49 <i>0.098</i>			2.260	22.910 <i>0.902</i>	Spring Steel	Ground Flush
# CS-3112-0889-28-M-G	31.12 <i>1.225</i>	88.9 <i>3.500</i>	2.79 <i>0.110</i>			3.410	29.460 <i>1.160</i>	Spring Steel	Ground Flush
# CS-3112-0889-36-M-G	31.12 <i>1.225</i>	88.9 <i>3.500</i>	3.56 <i>0.140</i>			8.110	44.420 <i>1.749</i>	Spring Steel	Ground Flush
# CS-3112-1016-25-M-G	31.12 <i>1.225</i>	101.6 <i>4.000</i>	2.49 <i>0.098</i>			2.030	25.450 <i>1.002</i>	Spring Steel	Ground Flush
CS-3112-1016-28-M-G	31.12 <i>1.225</i>	101.6 <i>4.000</i>	2.79 <i>0.110</i>			3.000	32.870 <i>1.294</i>	Spring Steel	Ground Flush
# CS-3112-1016-31-M-G	31.12 <i>1.225</i>	101.6 <i>4.000</i>	3.15 <i>0.124</i>			4.710	39.090 <i>1.539</i>	Spring Steel	Ground Flush
# CS-3112-1016-36-M-G	31.12 <i>1.225</i>	101.6 <i>4.000</i>	3.56 <i>0.140</i>			7.020	49.910 <i>1.965</i>	Spring Steel	Ground Flush
# CS-3112-1143-25-M-G	31.12 <i>1.225</i>	114.3 <i>4.500</i>	2.49 <i>0.098</i>			1.820	27.990 <i>1.102</i>	Spring Steel	Ground Flush
# CS-3112-1143-36-M-G	31.12 <i>1.225</i>	114.3 <i>4.500</i>	3.56 <i>0.140</i>			6.180	55.370 <i>2.180</i>	Spring Steel	Ground Flush
# CS-3112-1270-25-M-G	31.12 <i>1.225</i>	127.0 <i>5.000</i>	2.49 <i>0.098</i>			1.610	30.530 <i>1.202</i>	Spring Steel	Ground Flush

Indicates item not stocked at time of printing - Please enquire for lead time

Page 60 of 66

E&OE Pricing and all details subject to change without notice - Copyright Miniature Bearings Australia Pty Ltd
MBA Size Listings are a guide to sizes only and must not be solely relied on for critical design information.

Springs - Compression - Standard - Steel

Part Number	Spring OD (D0) mm <i>inches</i>	Free Length (L0) mm <i>inches</i>	Wire Diameter (d) mm <i>inches</i>	Loaded Height (L1) mm <i>inches</i>	Load at L1 N	Rate (P/f) N/mm	Solid Height (Sh) mm <i>inches</i>	Material	End Type
# CS-3112-1270-31-M-G	31.12 <i>1.225</i>	127.0 <i>5.000</i>	3.15 <i>0.124</i>			3.710	47.370 <i>1.865</i>	Spring Steel	Ground Flush
# CS-3112-1270-36-M-G	31.12 <i>1.225</i>	127.0 <i>5.000</i>	3.56 <i>0.140</i>			5.520	60.830 <i>2.395</i>	Spring Steel	Ground Flush
# CS-3175-0254-36-M-G	31.75 <i>1.250</i>	25.4 <i>1.000</i>	3.55 <i>0.140</i>			2.940	92.500 <i>3.642</i>	Spring Steel	Ground Flush
# CS-3175-0826-32-M-G	31.75 <i>1.250</i>	82.6 <i>3.252</i>	3.15 <i>0.124</i>			4.630	34.500 <i>1.358</i>	Spring Steel	Ground Flush
# CS-3175-2032-40-M-G	31.75 <i>1.250</i>	203.2 <i>8.000</i>	4.00 <i>0.157</i>			5.660	92.200 <i>3.630</i>	Spring Steel	Ground Flush
# CS-3175-3048-50-M-G	31.75 <i>1.250</i>	304.8 <i>12.000</i>	5.00 <i>0.197</i>			9.180	144.800 <i>5.701</i>	Spring Steel	Ground Flush
CS-3251-2540-24-M	32.51 <i>1.280</i>	254.0 <i>10.000</i>	2.36 <i>0.093</i>	-	-	-	-	Spring Steel	Open
# CS-3706-2540-29-M	37.06 <i>1.459</i>	254.0 <i>10.000</i>	2.92 <i>0.115</i>	-	-	-	-	Spring Steel	Open
# CS-3708-0508-28-M-G	37.08 <i>1.460</i>	50.8 <i>2.000</i>	2.79 <i>0.110</i>			4.780	15.980 <i>0.629</i>	Spring Steel	Ground Flush
# CS-3708-0508-31-M-G	37.08 <i>1.460</i>	50.8 <i>2.000</i>	3.15 <i>0.124</i>			7.600	18.750 <i>0.738</i>	Spring Steel	Ground Flush

Indicates item not stocked at time of printing - Please enquire for lead time

Page 61 of 66

E&OE Pricing and all details subject to change without notice - Copyright Miniature Bearings Australia Pty Ltd

MBA Size Listings are a guide to sizes only and must not be solely relied on for critical design information.

Springs - Compression - Standard - Steel

Part Number	Spring OD (D0) mm <i>inches</i>	Free Length (L0) mm <i>inches</i>	Wire Diameter (d) mm <i>inches</i>	Loaded Height (L1) mm <i>inches</i>	Load at L1 N	Rate (P/f) N/mm	Solid Height (Sh) mm <i>inches</i>	Material	End Type
CS-3708-0508-36-M-G	37.08 <i>1.460</i>	50.8 <i>2.000</i>	3.56 <i>0.140</i>			12.240	23.700 <i>0.933</i>	Spring Steel	Ground Flush
CS-3708-0508-40-M-G	37.08 <i>1.460</i>	50.8 <i>2.000</i>	4.01 <i>0.158</i>			19.900	26.640 <i>1.049</i>	Spring Steel	Ground Flush
# CS-3708-0762-28-M-G	37.08 <i>1.460</i>	76.2 <i>3.000</i>	2.79 <i>0.110</i>			3.060	20.960 <i>0.825</i>	Spring Steel	Ground Flush
# CS-3708-0762-31-M-G	37.08 <i>1.460</i>	76.2 <i>3.000</i>	3.15 <i>0.124</i>			4.830	24.920 <i>0.981</i>	Spring Steel	Ground Flush
# CS-3708-0762-36-M-G	37.08 <i>1.460</i>	76.2 <i>3.000</i>	3.56 <i>0.140</i>			6.950	32.080 <i>1.263</i>	Spring Steel	Ground Flush
# CS-3708-0762-40-M-G	37.08 <i>1.460</i>	76.2 <i>3.000</i>	4.01 <i>0.158</i>			11.210	36.400 <i>1.433</i>	Spring Steel	Ground Flush
# CS-3708-1016-28-M-G	37.08 <i>1.460</i>	101.6 <i>4.000</i>	2.79 <i>0.110</i>			2.240	25.960 <i>1.022</i>	Spring Steel	Ground Flush
# CS-3708-1016-31-M-G	37.08 <i>1.460</i>	101.6 <i>4.000</i>	3.15 <i>0.124</i>			3.540	31.090 <i>1.224</i>	Spring Steel	Ground Flush
# CS-3708-1016-36-M-G	37.08 <i>1.460</i>	101.6 <i>4.000</i>	3.56 <i>0.140</i>			5.090	40.460 <i>1.593</i>	Spring Steel	Ground Flush
CS-3708-1016-40-M-G	37.08 <i>1.460</i>	101.6 <i>4.000</i>	4.01 <i>0.158</i>			8.160	46.150 <i>1.817</i>	Spring Steel	Ground Flush

Indicates item not stocked at time of printing - Please enquire for lead time

Page 62 of 66

E&OE Pricing and all details subject to change without notice - Copyright Miniature Bearings Australia Pty Ltd
MBA Size Listings are a guide to sizes only and must not be solely relied on for critical design information.

Springs - Compression - Standard - Steel

Part Number	Spring OD (D0) mm <i>inches</i>	Free Length (L0) mm <i>inches</i>	Wire Diameter (d) mm <i>inches</i>	Loaded Height (L1) mm <i>inches</i>	Load at L1 N	Rate (P/f) N/mm	Solid Height (Sh) mm <i>inches</i>	Material	End Type
# CS-3708-1270-40-M-G	37.08 <i>1.460</i>	127.0 <i>5.000</i>	4.01 <i>0.158</i>			6.140	55.910 <i>2.201</i>	Spring Steel	Ground Flush
# CS-3810-3048-40-M-G	38.10 <i>1.500</i>	304.8 <i>12.000</i>	4.00 <i>0.157</i>			2.540	110.500 <i>4.350</i>	Spring Steel	Ground Flush
# CS-3810-3048-50-M-G	38.10 <i>1.500</i>	304.8 <i>12.000</i>	5.00 <i>0.197</i>			6.590	139.700 <i>5.500</i>	Spring Steel	Ground Flush
CS-4285-0508-36-M-G	42.85 <i>1.687</i>	50.8 <i>2.000</i>	3.56 <i>0.140</i>			8.980	18.140 <i>0.714</i>	Spring Steel	Ground Flush
CS-4285-0508-40-M-G	42.85 <i>1.687</i>	50.8 <i>2.000</i>	4.01 <i>0.158</i>			13.890	23.320 <i>0.918</i>	Spring Steel	Ground Flush
# CS-4285-0508-45-M-G	42.85 <i>1.687</i>	50.8 <i>2.000</i>	4.50 <i>0.177</i>			21.660	26.140 <i>1.029</i>	Spring Steel	Ground Flush
# CS-4285-0508-50-M-G	42.85 <i>1.687</i>	50.8 <i>2.000</i>	5.00 <i>0.197</i>			33.530	28.880 <i>1.137</i>	Spring Steel	Ground Flush
# CS-4285-0635-45-M-G	42.85 <i>1.687</i>	63.5 <i>2.500</i>	4.50 <i>0.177</i>			16.620	30.660 <i>1.207</i>	Spring Steel	Ground Flush
# CS-4285-0762-36-M-G	42.85 <i>1.687</i>	76.2 <i>3.000</i>	3.56 <i>0.140</i>			5.940	23.670 <i>0.932</i>	Spring Steel	Ground Flush
# CS-4285-0762-40-M-G	42.85 <i>1.687</i>	76.2 <i>3.000</i>	4.01 <i>0.158</i>			8.700	31.060 <i>1.223</i>	Spring Steel	Ground Flush

Indicates item not stocked at time of printing - Please enquire for lead time

Page 63 of 66

E&OE Pricing and all details subject to change without notice - Copyright Miniature Bearings Australia Pty Ltd
MBA Size Listings are a guide to sizes only and must not be solely relied on for critical design information.

Springs - Compression - Standard - Steel

Part Number	Spring OD (D0) mm <i>inches</i>	Free Length (L0) mm <i>inches</i>	Wire Diameter (d) mm <i>inches</i>	Loaded Height (L1) mm <i>inches</i>	Load at L1 N	Rate (P/f) N/mm	Solid Height (Sh) mm <i>inches</i>	Material	End Type
# CS-4285-0762-45-M-G	42.85 <i>1.687</i>	76.2 <i>3.000</i>	4.50 <i>0.177</i>			13.470	35.180 <i>1.385</i>	Spring Steel	Ground Flush
# CS-4285-0762-50-M-G	42.85 <i>1.687</i>	76.2 <i>3.000</i>	5.00 <i>0.197</i>			20.720	39.190 <i>1.543</i>	Spring Steel	Ground Flush
# CS-4285-0889-45-M-G	42.85 <i>1.687</i>	88.9 <i>3.500</i>	4.50 <i>0.177</i>			11.330	39.700 <i>1.563</i>	Spring Steel	Ground Flush
# CS-4285-1016-36-M-G	42.85 <i>1.687</i>	101.6 <i>4.000</i>	3.56 <i>0.140</i>			4.320	29.210 <i>1.150</i>	Spring Steel	Ground Flush
# CS-4285-1016-40-M-G	42.85 <i>1.687</i>	101.6 <i>4.000</i>	4.01 <i>0.158</i>			6.320	38.840 <i>1.529</i>	Spring Steel	Ground Flush
# CS-4285-1016-45-M-G	42.85 <i>1.687</i>	101.6 <i>4.000</i>	4.50 <i>0.177</i>			9.770	44.220 <i>1.741</i>	Spring Steel	Ground Flush
# CS-4285-1016-50-M-G	42.85 <i>1.687</i>	101.6 <i>4.000</i>	5.00 <i>0.197</i>			14.840	49.530 <i>1.950</i>	Spring Steel	Ground Flush
# CS-4285-1143-45-M-G	42.85 <i>1.687</i>	114.3 <i>4.500</i>	4.50 <i>0.177</i>			8.600	48.770 <i>1.920</i>	Spring Steel	Ground Flush
# CS-4285-1270-36-M-G	42.85 <i>1.687</i>	127.0 <i>5.000</i>	3.56 <i>0.140</i>			3.410	34.740 <i>1.368</i>	Spring Steel	Ground Flush
# CS-4285-1270-40-M-G	42.85 <i>1.687</i>	127.0 <i>5.000</i>	4.01 <i>0.158</i>			4.950	46.610 <i>1.835</i>	Spring Steel	Ground Flush

Indicates item not stocked at time of printing - Please enquire for lead time

Page 64 of 66

E&OE Pricing and all details subject to change without notice - Copyright Miniature Bearings Australia Pty Ltd
MBA Size Listings are a guide to sizes only and must not be solely relied on for critical design information.

Springs - Compression - Standard - Steel

Part Number	Spring OD (D0) mm <i>inches</i>	Free Length (L0) mm <i>inches</i>	Wire Diameter (d) mm <i>inches</i>	Loaded Height (L1) mm <i>inches</i>	Load at L1 N	Rate (P/f) N/mm	Solid Height (Sh) mm <i>inches</i>	Material	End Type
# CS-4285-1270-45-M-G	42.85 <i>1.687</i>	127.0 <i>5.000</i>	4.50 <i>0.177</i>			7.670	53.290 <i>2.098</i>	Spring Steel	Ground Flush
# CS-4285-1270-50-M-G	42.85 <i>1.687</i>	127.0 <i>5.000</i>	5.00 <i>0.197</i>			11.610	59.840 <i>2.356</i>	Spring Steel	Ground Flush
CS-4920-0508-40-M-G	49.20 <i>1.937</i>	50.8 <i>2.000</i>	4.01 <i>0.158</i>			11.140	20.570 <i>0.810</i>	Spring Steel	Ground Flush
# CS-4920-0635-45-M-G	49.20 <i>1.937</i>	63.5 <i>2.500</i>	4.50 <i>0.177</i>			13.120	26.770 <i>1.054</i>	Spring Steel	Ground Flush
CS-4920-0762-36-M-G	49.20 <i>1.937</i>	76.2 <i>3.000</i>	3.56 <i>0.140</i>			4.480	23.340 <i>0.919</i>	Spring Steel	Ground Flush
CS-4920-0762-40-M-G	49.20 <i>1.937</i>	76.2 <i>3.000</i>	4.01 <i>0.158</i>			6.970	26.720 <i>1.052</i>	Spring Steel	Ground Flush
# CS-4920-0762-45-M-G	49.20 <i>1.937</i>	76.2 <i>3.000</i>	4.50 <i>0.177</i>			10.650	30.380 <i>1.196</i>	Spring Steel	Ground Flush
# CS-4920-0762-50-M-G	49.20 <i>1.937</i>	76.2 <i>3.000</i>	5.00 <i>0.197</i>			15.260	34.060 <i>1.341</i>	Spring Steel	Ground Flush
# CS-4920-0889-45-M-G	49.20 <i>1.937</i>	88.9 <i>3.500</i>	4.50 <i>0.177</i>			8.950	34.010 <i>1.339</i>	Spring Steel	Ground Flush
# CS-4920-1016-36-M-G	49.20 <i>1.937</i>	101.6 <i>4.000</i>	3.56 <i>0.140</i>			3.270	28.500 <i>1.122</i>	Spring Steel	Ground Flush

Indicates item not stocked at time of printing - Please enquire for lead time

Page 65 of 66

E&OE Pricing and all details subject to change without notice - Copyright Miniature Bearings Australia Pty Ltd
MBA Size Listings are a guide to sizes only and must not be solely relied on for critical design information.

Springs - Compression - Standard - Steel

Part Number	Spring OD (D0) mm <i>inches</i>	Free Length (L0) mm <i>inches</i>	Wire Diameter (d) mm <i>inches</i>	Loaded Height (L1) mm <i>inches</i>	Load at L1 N	Rate (P/f) N/mm	Solid Height (Sh) mm <i>inches</i>	Material	End Type
# CS-4920-1016-40-M-G	49.20 <i>1.937</i>	101.6 <i>4.000</i>	4.01 <i>0.158</i>			5.080	32.840 <i>1.293</i>	Spring Steel	Ground Flush
# CS-4920-1016-45-M-G	49.20 <i>1.937</i>	101.6 <i>4.000</i>	4.50 <i>0.177</i>			7.720	37.620 <i>1.481</i>	Spring Steel	Ground Flush
# CS-4920-1016-50-M-G	49.20 <i>1.937</i>	101.6 <i>4.000</i>	5.00 <i>0.197</i>			11.020	42.420 <i>1.670</i>	Spring Steel	Ground Flush
# CS-4920-1143-45-M-G	49.20 <i>1.937</i>	114.3 <i>4.500</i>	4.50 <i>0.177</i>			6.790	41.250 <i>1.624</i>	Spring Steel	Ground Flush
CS-4920-1270-36-M-G	49.20 <i>1.937</i>	127.0 <i>5.000</i>	3.56 <i>0.140</i>			2.570	33.630 <i>1.324</i>	Spring Steel	Ground Flush
# CS-4920-1270-40-M-G	49.20 <i>1.937</i>	127.0 <i>5.000</i>	4.01 <i>0.158</i>			3.990	38.990 <i>1.535</i>	Spring Steel	Ground Flush
# CS-4920-1270-45-M-G	49.20 <i>1.937</i>	127.0 <i>5.000</i>	4.50 <i>0.177</i>			6.060	44.860 <i>1.766</i>	Spring Steel	Ground Flush
# CS-4920-1270-50-M-G	49.20 <i>1.937</i>	127.0 <i>5.000</i>	5.00 <i>0.197</i>			8.630	50.770 <i>1.999</i>	Spring Steel	Ground Flush
# CS-4920-1524-45-M-G	49.20 <i>1.937</i>	152.4 <i>6.000</i>	4.50 <i>0.177</i>			4.990	52.100 <i>2.051</i>	Spring Steel	Ground Flush
# CS-4920-1524-50-M-G	49.20 <i>1.937</i>	152.4 <i>6.000</i>	5.00 <i>0.197</i>			7.100	59.130 <i>2.328</i>	Spring Steel	Ground Flush

Indicates item not stocked at time of printing - Please enquire for lead time

Page 66 of 66

E&OE Pricing and all details subject to change without notice - Copyright Miniature Bearings Australia Pty Ltd
MBA Size Listings are a guide to sizes only and must not be solely relied on for critical design information.

DISTRIBUTED BY

Distributed By:

