

Sprockets - 3.12 x 1.47mm - Simplex - Plastic

10/4/2018

Indicates item not stocked at time of printing - Please enquire for lead time

E&OE Pricing and all details subject to change without notice - Copyright Miniature Bearings Australia Pty Ltd

MBA Size Listings are a guide to sizes only and must not be solely relied on for critical design information.

Page 1 of 10

INFORMATION

Nylon - Acetal - With and without bore inserts.

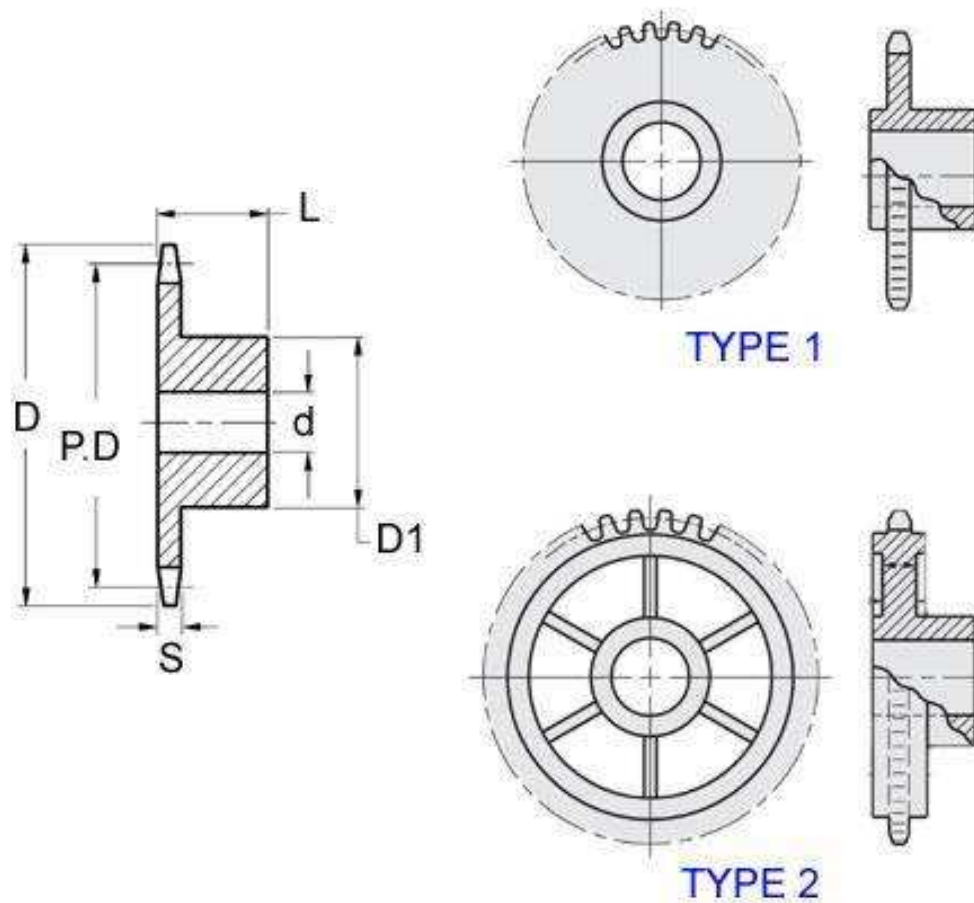
Match with series 3.12mm miniature plastic chain

This catalogue to be read in conjunction with information at <http://www.minibearings.com.au//item/ch1031015r15240ac/chainrollerplasticsimplex/>

Indicates item not stocked at time of printing - Please enquire for lead time

E&OE Pricing and all details subject to change without notice - Copyright Miniature Bearings Australia Pty Ltd

MBA Size Listings are a guide to sizes only and must not be solely relied on for critical design information.



Indicates item not stocked at time of printing - Please enquire for lead time

E&OE Pricing and all details subject to change without notice - Copyright Miniature Bearings Australia Pty Ltd

MBA Size Listings are a guide to sizes only and must not be solely relied on for critical design information.

Sprockets - 3.12 x 1.47mm - Simplex - Plastic

Part Number	Teeth No.	PCD mm <i>inches</i>	Hub Diameter (D1) mm <i>inches</i>	Overall Width (L) mm <i>inches</i>	Material	Type / Rows	Bore (d) mm <i>inches</i>	Locking Method
SP1-031-015B-008-032-AB	8	7.93 <i>0.312</i>	5.99 <i>0.236</i>	7.95 <i>0.313</i>	Acetal - Black	Type 1	3.175 <i>0.125</i>	No Locking
SP1-031-015B-008-030-AB	8	7.93 <i>0.312</i>	6.30 <i>0.248</i>	7.92 <i>0.312</i>	Acetal - Black	Type 2	3.000 <i>0.118</i>	No Locking
# SP1-031-015B-009-030-AB	9	8.93 <i>0.352</i>	6.30 <i>0.248</i>	7.92 <i>0.312</i>	Acetal - Black	Type 2	3.000 <i>0.118</i>	No Locking
SP1-031-015B-009-032-AB	9	8.93 <i>0.352</i>	6.35 <i>0.250</i>	7.95 <i>0.313</i>	Acetal - Black	Type 1	3.175 <i>0.125</i>	No Locking
SP1-031-015B-010-030-AB	10	9.92 <i>0.391</i>	6.30 <i>0.248</i>	7.92 <i>0.312</i>	Acetal - Black	Type 1	3.000 <i>0.118</i>	No Locking
# SP1-031-015B-010-032-AB	10	9.92 <i>0.391</i>	6.35 <i>0.250</i>	7.95 <i>0.313</i>	Acetal - Black	Type 1	3.175 <i>0.125</i>	No Locking
SP1-031-015B-010-040-AB	10	9.92 <i>0.391</i>	7.90 <i>0.311</i>	7.92 <i>0.312</i>	Acetal - Black	Type 1	4.000 <i>0.157</i>	No Locking
# SP1-031-015B-010-048-AB	10	9.92 <i>0.391</i>	7.95 <i>0.313</i>	7.95 <i>0.313</i>	Acetal - Black	Type 1	4.762 <i>0.187</i>	No Locking
# SP1-031-015B-012-030-AB	12	11.90 <i>0.469</i>	6.30 <i>0.248</i>	7.92 <i>0.312</i>	Acetal - Black	Type 1	3.000 <i>0.118</i>	No Locking
# SP1-031-015B-012-032-AB	12	11.90 <i>0.469</i>	6.35 <i>0.250</i>	7.95 <i>0.313</i>	Acetal - Black	Type 1	3.175 <i>0.125</i>	No Locking

Indicates item not stocked at time of printing - Please enquire for lead time

Page 4 of 10

E&OE Pricing and all details subject to change without notice - Copyright Miniature Bearings Australia Pty Ltd
MBA Size Listings are a guide to sizes only and must not be solely relied on for critical design information.

Sprockets - 3.12 x 1.47mm - Simplex - Plastic

Part Number	Teeth No.	PCD mm <i>inches</i>	Hub Diameter (D1) mm <i>inches</i>	Overall Width (L) mm <i>inches</i>	Material	Type / Rows	Bore (d) mm <i>inches</i>	Locking Method
SP1-031-015B-012-040-AB	12	11.90 <i>0.469</i>	7.90 <i>0.311</i>	7.92 <i>0.312</i>	Acetal - Black	Type 1	4.000 <i>0.157</i>	No Locking
# SP1-031-015B-012-048-AB	12	11.90 <i>0.469</i>	7.95 <i>0.313</i>	7.95 <i>0.313</i>	Acetal - Black	Type 1	4.762 <i>0.187</i>	No Locking
# SP1-031-015B-012-064-AB	12	11.90 <i>0.469</i>	9.53 <i>0.375</i>	7.95 <i>0.313</i>	Acetal - Black	Type 1	6.350 <i>0.250</i>	No Locking
# SP1-031-015B-015-030-AB	15	14.88 <i>0.586</i>	6.30 <i>0.248</i>	7.92 <i>0.312</i>	Acetal - Black	Type 1	3.000 <i>0.118</i>	No Locking
# SP1-031-015B-015-032-AB	15	14.88 <i>0.586</i>	6.35 <i>0.250</i>	7.95 <i>0.313</i>	Acetal - Black	Type 1	3.175 <i>0.125</i>	No Locking
# SP1-031-015B-015-040-AB	15	14.88 <i>0.586</i>	7.90 <i>0.311</i>	7.92 <i>0.312</i>	Acetal - Black	Type 1	4.000 <i>0.157</i>	No Locking
# SP1-031-015B-015-048-AB	15	14.88 <i>0.586</i>	7.95 <i>0.313</i>	7.95 <i>0.313</i>	Acetal - Black	Type 1	4.762 <i>0.187</i>	No Locking
# SP1-031-015B-015-060-AB	15	14.88 <i>0.586</i>	9.50 <i>0.374</i>	7.92 <i>0.312</i>	Acetal - Black	Type 1	6.000 <i>0.236</i>	No Locking
# SP1-031-015B-015-064-AB	15	14.88 <i>0.586</i>	9.53 <i>0.375</i>	7.95 <i>0.313</i>	Acetal - Black	Type 1	6.350 <i>0.250</i>	No Locking
# SP1-031-015B-016-030-AB	16	15.87 <i>0.625</i>	6.30 <i>0.248</i>	7.92 <i>0.312</i>	Acetal - Black	Type 1	3.000 <i>0.118</i>	No Locking

Indicates item not stocked at time of printing - Please enquire for lead time

Page 5 of 10

E&OE Pricing and all details subject to change without notice - Copyright Miniature Bearings Australia Pty Ltd

MBA Size Listings are a guide to sizes only and must not be solely relied on for critical design information.

Sprockets - 3.12 x 1.47mm - Simplex - Plastic

Part Number	Teeth No.	PCD mm <i>inches</i>	Hub Diameter (D1) mm <i>inches</i>	Overall Width (L) mm <i>inches</i>	Material	Type / Rows	Bore (d) mm <i>inches</i>	Locking Method
# SP1-031-015B-016-032-AB	16	15.87 <i>0.625</i>	6.35 <i>0.250</i>	7.95 <i>0.313</i>	Acetal - Black	Type 1	3.175 <i>0.125</i>	No Locking
# SP1-031-015B-016-040-AB	16	15.87 <i>0.625</i>	7.90 <i>0.311</i>	7.92 <i>0.312</i>	Acetal - Black	Type 1	4.000 <i>0.157</i>	No Locking
# SP1-031-015B-016-048-AB	16	15.87 <i>0.625</i>	7.95 <i>0.313</i>	7.95 <i>0.313</i>	Acetal - Black	Type 1	4.762 <i>0.187</i>	No Locking
# SP1-031-015B-016-060-AB	16	15.87 <i>0.625</i>	9.50 <i>0.374</i>	7.92 <i>0.312</i>	Acetal - Black	Type 1	6.000 <i>0.236</i>	No Locking
# SP1-031-015B-016-064-AB	16	15.87 <i>0.625</i>	9.53 <i>0.375</i>	7.95 <i>0.313</i>	Acetal - Black	Type 1	6.350 <i>0.250</i>	No Locking
SP1-031-015B-018-030-AB	18	17.85 <i>0.703</i>	6.30 <i>0.248</i>	7.92 <i>0.312</i>	Acetal - Black	Type 1	3.000 <i>0.118</i>	No Locking
# SP1-031-015B-018-032-AB	18	17.85 <i>0.703</i>	6.35 <i>0.250</i>	7.95 <i>0.313</i>	Acetal - Black	Type 1	3.175 <i>0.125</i>	No Locking
SP1-031-015B-018-040-AB	18	17.85 <i>0.703</i>	7.90 <i>0.311</i>	7.92 <i>0.312</i>	Acetal - Black	Type 1	4.000 <i>0.157</i>	No Locking
# SP1-031-015B-018-048-AB	18	17.85 <i>0.703</i>	7.95 <i>0.313</i>	7.95 <i>0.313</i>	Acetal - Black	Type 1	4.762 <i>0.187</i>	No Locking
# SP1-031-015B-018-060-AB	18	17.85 <i>0.703</i>	9.50 <i>0.374</i>	7.92 <i>0.312</i>	Acetal - Black	Type 1	6.000 <i>0.236</i>	No Locking

Indicates item not stocked at time of printing - Please enquire for lead time

Page 6 of 10

E&OE Pricing and all details subject to change without notice - Copyright Miniature Bearings Australia Pty Ltd
MBA Size Listings are a guide to sizes only and must not be solely relied on for critical design information.

Sprockets - 3.12 x 1.47mm - Simplex - Plastic

Part Number	Teeth No.	PCD mm <i>inches</i>	Hub Diameter (D1) mm <i>inches</i>	Overall Width (L) mm <i>inches</i>	Material	Type / Rows	Bore (d) mm <i>inches</i>	Locking Method
# SP1-031-015B-018-064-AB	18	17.85 <i>0.703</i>	9.53 <i>0.375</i>	7.95 <i>0.313</i>	Acetal - Black	Type 1	6.350 <i>0.250</i>	No Locking
# SP1-031-015B-020-030-AB	20	19.84 <i>0.781</i>	6.30 <i>0.248</i>	7.92 <i>0.312</i>	Acetal - Black	Type 1	3.000 <i>0.118</i>	No Locking
# SP1-031-015B-020-032-AB	20	19.84 <i>0.781</i>	6.35 <i>0.250</i>	7.95 <i>0.313</i>	Acetal - Black	Type 1	3.175 <i>0.125</i>	No Locking
SP1-031-015B-020-040-AB	20	19.84 <i>0.781</i>	7.90 <i>0.311</i>	7.92 <i>0.312</i>	Acetal - Black	Type 1	4.000 <i>0.157</i>	No Locking
# SP1-031-015B-020-048-AB	20	19.84 <i>0.781</i>	7.95 <i>0.313</i>	7.95 <i>0.313</i>	Acetal - Black	Type 1	4.762 <i>0.187</i>	No Locking
SP1-031-015B-020-060-AB	20	19.84 <i>0.781</i>	9.50 <i>0.374</i>	7.92 <i>0.312</i>	Acetal - Black	Type 1	6.000 <i>0.236</i>	No Locking
SP1-031-015B-020-064-AB	20	19.84 <i>0.781</i>	9.53 <i>0.375</i>	7.95 <i>0.313</i>	Acetal - Black	Type 1	6.350 <i>0.250</i>	No Locking
# SP1-031-015B-020-080-AB	20	19.84 <i>0.781</i>	12.70 <i>0.500</i>	9.53 <i>0.375</i>	Acetal - Black	Type 1	8.000 <i>0.315</i>	No Locking
# SP1-031-015B-020-095-AB	20	19.84 <i>0.781</i>	12.70 <i>0.500</i>	9.53 <i>0.375</i>	Acetal - Black	Type 1	9.525 <i>0.375</i>	No Locking
# SP1-031-015B-024-040-AB	24	23.80 <i>0.937</i>	7.90 <i>0.311</i>	7.92 <i>0.312</i>	Acetal - Black	Type 2	4.000 <i>0.157</i>	No Locking

Indicates item not stocked at time of printing - Please enquire for lead time

Page 7 of 10

E&OE Pricing and all details subject to change without notice - Copyright Miniature Bearings Australia Pty Ltd
MBA Size Listings are a guide to sizes only and must not be solely relied on for critical design information.

Sprockets - 3.12 x 1.47mm - Simplex - Plastic

Part Number	Teeth No.	PCD mm <i>inches</i>	Hub Diameter (D1) mm <i>inches</i>	Overall Width (L) mm <i>inches</i>	Material	Type / Rows	Bore (d) mm <i>inches</i>	Locking Method
# SP1-031-015B-024-048-AB	24	23.80 <i>0.937</i>	7.95 <i>0.313</i>	7.95 <i>0.313</i>	Acetal - Black	Type 2	4.762 <i>0.187</i>	No Locking
# SP1-031-015B-024-060-AB	24	23.80 <i>0.937</i>	9.50 <i>0.374</i>	7.92 <i>0.312</i>	Acetal - Black	Type 2	6.000 <i>0.236</i>	No Locking
SP1-031-015B-024-064-AB	24	23.80 <i>0.937</i>	9.53 <i>0.375</i>	7.95 <i>0.313</i>	Acetal - Black	Type 2	6.350 <i>0.250</i>	No Locking
# SP1-031-015B-024-095-AB	24	23.80 <i>0.937</i>	12.70 <i>0.500</i>	9.53 <i>0.375</i>	Acetal - Black	Type 2	9.525 <i>0.375</i>	No Locking
# SP1-031-015B-024-080-AB	24	23.80 <i>0.937</i>	12.70 <i>0.500</i>	9.53 <i>0.375</i>	Acetal - Black	Type 2	8.000 <i>0.315</i>	No Locking
# SP1-031-015B-030-040-AB	30	29.75 <i>1.171</i>	7.90 <i>0.311</i>	7.92 <i>0.312</i>	Acetal - Black	Type 2	4.000 <i>0.157</i>	No Locking
# SP1-031-015B-030-048-AB	30	29.75 <i>1.171</i>	7.95 <i>0.313</i>	7.95 <i>0.313</i>	Acetal - Black	Type 2	4.762 <i>0.187</i>	No Locking
SP1-031-015B-030-060-AB	30	29.75 <i>1.171</i>	9.50 <i>0.374</i>	7.92 <i>0.312</i>	Acetal - Black	Type 2	6.000 <i>0.236</i>	No Locking
# SP1-031-015B-030-064-AB	30	29.75 <i>1.171</i>	9.53 <i>0.375</i>	7.95 <i>0.313</i>	Acetal - Black	Type 2	6.350 <i>0.250</i>	No Locking
# SP1-031-015B-030-095-AB	30	29.75 <i>1.171</i>	12.70 <i>0.500</i>	9.53 <i>0.375</i>	Acetal - Black	Type 2	9.525 <i>0.375</i>	No Locking

Indicates item not stocked at time of printing - Please enquire for lead time

Page 8 of 10

E&OE Pricing and all details subject to change without notice - Copyright Miniature Bearings Australia Pty Ltd

MBA Size Listings are a guide to sizes only and must not be solely relied on for critical design information.

Sprockets - 3.12 x 1.47mm - Simplex - Plastic

Part Number	Teeth No.	PCD mm <i>inches</i>	Hub Diameter (D1) mm <i>inches</i>	Overall Width (L) mm <i>inches</i>	Material	Type / Rows	Bore (d) mm <i>inches</i>	Locking Method
# SP1-031-015B-030-080-AB	30	29.75 <i>1.171</i>	12.70 <i>0.500</i>	9.53 <i>0.375</i>	Acetal - Black	Type 2	8.000 <i>0.315</i>	No Locking
# SP1-031-015B-032-040-AB	32	31.74 <i>1.250</i>	7.90 <i>0.311</i>	7.92 <i>0.312</i>	Acetal - Black	Type 2	4.000 <i>0.157</i>	No Locking
# SP1-031-015B-032-048-AB	32	31.74 <i>1.250</i>	7.95 <i>0.313</i>	7.95 <i>0.313</i>	Acetal - Black	Type 2	4.762 <i>0.187</i>	No Locking
# SP1-031-015B-032-060-AB	32	31.74 <i>1.250</i>	9.50 <i>0.374</i>	7.92 <i>0.312</i>	Acetal - Black	Type 2	6.000 <i>0.236</i>	No Locking
# SP1-031-015B-032-064-AB	32	31.74 <i>1.250</i>	9.53 <i>0.375</i>	7.95 <i>0.313</i>	Acetal - Black	Type 2	6.350 <i>0.250</i>	No Locking
# SP1-031-015B-032-080-AB	32	31.74 <i>1.250</i>	12.70 <i>0.500</i>	9.53 <i>0.375</i>	Acetal - Black	Type 2	8.000 <i>0.315</i>	No Locking
# SP1-031-015B-032-095-AB	32	31.74 <i>1.250</i>	12.70 <i>0.500</i>	9.53 <i>0.375</i>	Acetal - Black	Type 2	9.525 <i>0.375</i>	No Locking
# SP1-031-015B-036-060-AB	36	35.70 <i>1.406</i>	9.50 <i>0.374</i>	7.92 <i>0.312</i>	Acetal - Black	Type 2	6.000 <i>0.236</i>	No Locking
SP1-031-015B-036-064-AB	36	35.70 <i>1.406</i>	9.53 <i>0.375</i>	7.95 <i>0.313</i>	Acetal - Black	Type 2	6.350 <i>0.250</i>	No Locking
# SP1-031-015B-036-080-AB	36	35.70 <i>1.406</i>	12.70 <i>0.500</i>	9.53 <i>0.375</i>	Acetal - Black	Type 2	8.000 <i>0.315</i>	No Locking

Indicates item not stocked at time of printing - Please enquire for lead time

Page 9 of 10

E&OE Pricing and all details subject to change without notice - Copyright Miniature Bearings Australia Pty Ltd
MBA Size Listings are a guide to sizes only and must not be solely relied on for critical design information.

Sprockets - 3.12 x 1.47mm - Simplex - Plastic

Part Number	Teeth No.	PCD mm <i>inches</i>	Hub Diameter (D1) mm <i>inches</i>	Overall Width (L) mm <i>inches</i>	Material	Type / Rows	Bore (d) mm <i>inches</i>	Locking Method
# SP1-031-015B-036-095-AB	36	35.70 <i>1.406</i>	12.70 <i>0.500</i>	9.53 <i>0.375</i>	Acetal - Black	Type 2	9.525 <i>0.375</i>	No Locking
SP1-031-015B-040-060-AB	40	39.67 <i>1.562</i>	9.50 <i>0.374</i>	7.92 <i>0.312</i>	Acetal - Black	Type 2	6.000 <i>0.236</i>	No Locking
# SP1-031-015B-040-064-AB	40	39.67 <i>1.562</i>	9.53 <i>0.375</i>	7.95 <i>0.313</i>	Acetal - Black	Type 2	6.350 <i>0.250</i>	No Locking
# SP1-031-015B-040-080-AB	40	39.67 <i>1.562</i>	12.70 <i>0.500</i>	9.53 <i>0.375</i>	Acetal - Black	Type 2	8.000 <i>0.315</i>	No Locking
# SP1-031-015B-040-095-AB	40	39.67 <i>1.562</i>	12.70 <i>0.500</i>	9.53 <i>0.375</i>	Acetal - Black	Type 2	9.525 <i>0.375</i>	No Locking
# SP1-031-015B-048-060-AB	48	47.61 <i>1.874</i>	9.50 <i>0.374</i>	7.92 <i>0.312</i>	Acetal - Black	Type 2	6.000 <i>0.236</i>	No Locking
# SP1-031-015B-048-064-AB	48	47.61 <i>1.874</i>	9.53 <i>0.375</i>	7.95 <i>0.313</i>	Acetal - Black	Type 2	6.350 <i>0.250</i>	No Locking
SP1-031-015B-048-095-AB	48	47.61 <i>1.874</i>	12.70 <i>0.500</i>	9.53 <i>0.375</i>	Acetal - Black	Type 2	9.525 <i>0.375</i>	No Locking
# SP1-031-015B-048-080-AB	48	47.61 <i>1.874</i>	12.70 <i>0.500</i>	9.53 <i>0.375</i>	Acetal - Black	Type 2	8.000 <i>0.315</i>	No Locking

Indicates item not stocked at time of printing - Please enquire for lead time

Page 10 of 10

E&OE Pricing and all details subject to change without notice - Copyright Miniature Bearings Australia Pty Ltd
MBA Size Listings are a guide to sizes only and must not be solely relied on for critical design information.

DISTRIBUTED BY

Distributed By:

