



Sprockets - Ladder Chain - 4.242mm Pitch - Size 21

10/4/2018

Indicates item not stocked at time of printing - Please enquire for lead time

E&OE Pricing and all details subject to change without notice - Copyright Miniature Bearings Australia Pty Ltd

MBA Size Listings are a guide to sizes only and must not be solely relied on for critical design information.

Page 1 of 25

INFORMATION

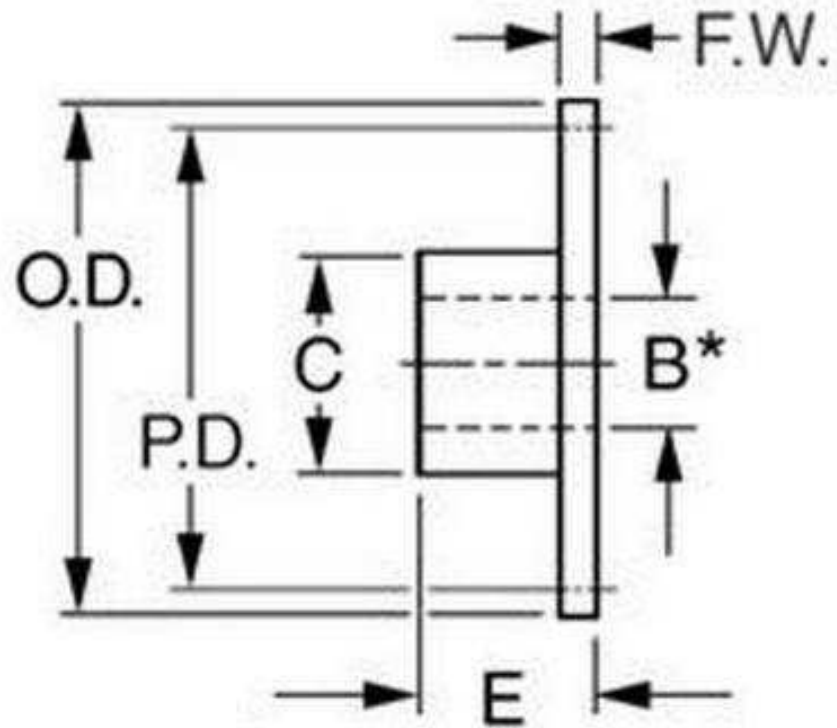
Plastic.

This catalogue to be read in conjunction with information at
<http://www.minibearings.com.au/partslist/chainladder4242mmpitchsize21/ladderchainandsprockets/all/1/>

Indicates item not stocked at time of printing - Please enquire for lead time

E&OE Pricing and all details subject to change without notice - Copyright Miniature Bearings Australia Pty Ltd

MBA Size Listings are a guide to sizes only and must not be solely relied on for critical design information.



Indicates item not stocked at time of printing - Please enquire for lead time

E&OE Pricing and all details subject to change without notice - Copyright Miniature Bearings Australia Pty Ltd
MBA Size Listings are a guide to sizes only and must not be solely relied on for critical design information.

Sprockets - Ladder Chain - 4.242mm Pitch - Size 21

Part Number	Teeth mm	Bore (d) mm	Overall Width (L) mm	Pitch Diameter mm	Material	Type	Hub Diameter mm	Locking Method	Tooth Width (Fw)
	<i>inches</i>	<i>inches</i>	<i>inches</i>	<i>inches</i>			<i>inches</i>		
# SPLA042-006-030-AC	6 <i>0.236</i>	3.000 <i>0.118</i>	8.00 <i>0.315</i>	8.50 <i>0.335</i>	Acetal - Black	Plain - No Insert	6.20 <i>0.244</i>		1.70
# SPLA042-006-032-AC	6 <i>0.236</i>	3.175 <i>0.125</i>	7.87 <i>0.310</i>	8.48 <i>0.334</i>	Acetal - Black	Plain - No Insert	6.25 <i>0.246</i>		1.70
# SPLA042-008-030-AC	8 <i>0.315</i>	3.000 <i>0.118</i>	8.00 <i>0.315</i>	11.10 <i>0.437</i>	Acetal - Black	Plain - No Insert	6.20 <i>0.244</i>		1.70
# SPLA042-008-032-AC	8 <i>0.315</i>	3.175 <i>0.125</i>	7.87 <i>0.310</i>	11.07 <i>0.436</i>	Acetal - Black	Plain - No Insert	6.25 <i>0.246</i>		1.70
# SPLA042-009-030-AC	9 <i>0.354</i>	3.000 <i>0.118</i>	8.00 <i>0.315</i>	12.40 <i>0.488</i>	Acetal - Black	Plain - No Insert	6.20 <i>0.244</i>		1.70
# SPLA042-009-032-AC	9 <i>0.354</i>	3.175 <i>0.125</i>	7.87 <i>0.310</i>	12.40 <i>0.488</i>	Acetal - Black	Plain - No Insert	6.25 <i>0.246</i>		1.70
# SPLA042-010-030-AC	10 <i>0.394</i>	3.000 <i>0.118</i>	8.00 <i>0.315</i>	12.40 <i>0.488</i>	Acetal - Black	Plain - No Insert	6.20 <i>0.244</i>		1.70
# SPLA042-010-030-ACI	10 <i>0.394</i>	3.000 <i>0.118</i>	8.00 <i>0.315</i>	13.70 <i>0.539</i>	Acetal - Black	Brass Insert - Set Screw	9.40 <i>0.370</i>		1.70
# SPLA042-010-032-AC	10 <i>0.394</i>	3.175 <i>0.125</i>	7.87 <i>0.310</i>	13.72 <i>0.540</i>	Acetal - Black	Plain - No Insert	6.25 <i>0.246</i>		1.70
# SPLA042-010-032-ACI	10 <i>0.394</i>	3.175 <i>0.125</i>	7.87 <i>0.310</i>	13.72 <i>0.540</i>	Acetal - Black	Brass Insert - Set Screw	9.40 <i>0.370</i>		1.70

Indicates item not stocked at time of printing - Please enquire for lead time

Page 4 of 25

E&OE Pricing and all details subject to change without notice - Copyright Miniature Bearings Australia Pty Ltd
MBA Size Listings are a guide to sizes only and must not be solely relied on for critical design information.

Sprockets - Ladder Chain - 4.242mm Pitch - Size 21

Part Number	Teeth mm	Bore (d) mm	Overall Width (L) mm	Pitch Diameter mm	Material	Type	Hub Diameter mm	Locking Method	Tooth Width (Fw)
	<i>inches</i>	<i>inches</i>	<i>inches</i>	<i>inches</i>			<i>inches</i>		
# SPLA042-010-040-ACI	10 <i>0.394</i>	4.000 <i>0.157</i>	8.00 <i>0.315</i>	13.70 <i>0.539</i>	Acetal - Black	Brass Insert - Set Screw	9.40 <i>0.370</i>		1.70
# SPLA042-010-040-AC	10 <i>0.394</i>	4.000 <i>0.157</i>	8.00 <i>0.315</i>	13.70 <i>0.539</i>	Acetal - Black	Plain - No Insert	7.90 <i>0.311</i>		1.70
# SPLA042-010-048-AC	10 <i>0.394</i>	4.762 <i>0.187</i>	7.87 <i>0.310</i>	13.72 <i>0.540</i>	Acetal - Black	Plain - No Insert	7.87 <i>0.310</i>		1.70
# SPLA042-010-048-ACI	10 <i>0.394</i>	4.762 <i>0.187</i>	7.87 <i>0.310</i>	13.72 <i>0.540</i>	Acetal - Black	Brass Insert - Set Screw	9.40 <i>0.370</i>		1.70
# SPLA042-010-060-AC	10 <i>0.394</i>	6.000 <i>0.236</i>	8.00 <i>0.315</i>	13.70 <i>0.539</i>	Acetal - Black	Plain - No Insert	9.40 <i>0.370</i>		1.70
SPLA042-010-064-AC	10 <i>0.394</i>	6.350 <i>0.250</i>	7.87 <i>0.310</i>	13.72 <i>0.540</i>	Acetal - Black	Plain - No Insert	9.40 <i>0.370</i>		1.70
# SPLA042-012-030-AC	12 <i>0.472</i>	3.000 <i>0.118</i>	8.00 <i>0.315</i>	13.70 <i>0.539</i>	Acetal - Black	Plain - No Insert	6.20 <i>0.244</i>		1.70
# SPLA042-012-030-ACI	12 <i>0.472</i>	3.000 <i>0.118</i>	8.00 <i>0.315</i>	16.40 <i>0.646</i>	Acetal - Black	Brass Insert - Set Screw	9.40 <i>0.370</i>		1.70
# SPLA042-012-032-AC	12 <i>0.472</i>	3.175 <i>0.125</i>	7.87 <i>0.310</i>	16.41 <i>0.646</i>	Acetal - Black	Plain - No Insert	6.25 <i>0.246</i>		1.70

Indicates item not stocked at time of printing - Please enquire for lead time

Page 5 of 25

E&OE Pricing and all details subject to change without notice - Copyright Miniature Bearings Australia Pty Ltd
MBA Size Listings are a guide to sizes only and must not be solely relied on for critical design information.

Sprockets - Ladder Chain - 4.242mm Pitch - Size 21

Part Number	Teeth mm	Bore (d) mm	Overall Width (L) mm	Pitch Diameter mm	Material	Type	Hub Diameter mm	Locking Method	Tooth Width (Fw)
	<i>inches</i>	<i>inches</i>	<i>inches</i>	<i>inches</i>			<i>inches</i>		
# SPLA042-012-032-ACI	12	3.175	7.87	16.41	Acetal - Black	Brass Insert - Set Screw	9.40		1.70
	<i>0.472</i>	<i>0.125</i>	<i>0.310</i>	<i>0.646</i>			<i>0.370</i>		
# SPLA042-012-040-AC	12	4.000	8.00	16.40	Acetal - Black	Plain - No Insert	7.90		1.70
	<i>0.472</i>	<i>0.157</i>	<i>0.315</i>	<i>0.646</i>			<i>0.311</i>		
# SPLA042-012-040-ACI	12	4.000	8.00	16.40	Acetal - Black	Brass Insert - Set Screw	9.40		1.70
	<i>0.472</i>	<i>0.157</i>	<i>0.315</i>	<i>0.646</i>			<i>0.370</i>		
# SPLA042-012-048-ACI	12	4.762	7.87	16.41	Acetal - Black	Brass Insert - Set Screw	9.40		1.70
	<i>0.472</i>	<i>0.187</i>	<i>0.310</i>	<i>0.646</i>			<i>0.370</i>		
# SPLA042-012-048-AC	12	4.762	7.87	16.41	Acetal - Black	Plain - No Insert	7.87		1.70
	<i>0.472</i>	<i>0.187</i>	<i>0.310</i>	<i>0.646</i>			<i>0.310</i>		
# SPLA042-012-060-AC	12	6.000	8.00	16.40	Acetal - Black	Plain - No Insert	9.40		1.70
	<i>0.472</i>	<i>0.236</i>	<i>0.315</i>	<i>0.646</i>			<i>0.370</i>		
# SPLA042-012-064-AC	12	6.350	7.87	16.41	Acetal - Black	Plain - No Insert	9.40		1.70
	<i>0.472</i>	<i>0.250</i>	<i>0.310</i>	<i>0.646</i>			<i>0.370</i>		
# SPLA042-013-030-AC	13	3.000	8.00	16.40	Acetal - Black	Plain - No Insert	6.20		1.70
	<i>0.512</i>	<i>0.118</i>	<i>0.315</i>	<i>0.646</i>			<i>0.244</i>		
# SPLA042-013-030-ACI	13	3.000	8.00	17.70	Acetal - Black	Brass Insert - Set Screw	9.40		1.70
	<i>0.512</i>	<i>0.118</i>	<i>0.315</i>	<i>0.697</i>			<i>0.370</i>		

Indicates item not stocked at time of printing - Please enquire for lead time

Page 6 of 25

E&OE Pricing and all details subject to change without notice - Copyright Miniature Bearings Australia Pty Ltd
MBA Size Listings are a guide to sizes only and must not be solely relied on for critical design information.

Sprockets - Ladder Chain - 4.242mm Pitch - Size 21

Part Number	Teeth mm	Bore (d) mm	Overall Width (L) mm	Pitch Diameter mm	Material	Type	Hub Diameter mm	Locking Method	Tooth Width (Fw)
	<i>inches</i>	<i>inches</i>	<i>inches</i>	<i>inches</i>			<i>inches</i>		
# SPLA042-013-032-AC	13 <i>0.512</i>	3.175 <i>0.125</i>	7.87 <i>0.310</i>	17.70 <i>0.697</i>	Acetal - Black	Plain - No Insert	6.25 <i>0.246</i>		1.70
# SPLA042-013-032-ACI	13 <i>0.512</i>	3.175 <i>0.125</i>	7.87 <i>0.310</i>	17.70 <i>0.697</i>	Acetal - Black	Brass Insert - Set Screw	9.40 <i>0.370</i>		1.70
# SPLA042-013-040-AC	13 <i>0.512</i>	4.000 <i>0.157</i>	8.00 <i>0.315</i>	17.70 <i>0.697</i>	Acetal - Black	Plain - No Insert	7.90 <i>0.311</i>		1.70
# SPLA042-013-040-ACI	13 <i>0.512</i>	4.000 <i>0.157</i>	8.00 <i>0.315</i>	17.70 <i>0.697</i>	Acetal - Black	Brass Insert - Set Screw	9.40 <i>0.370</i>		1.70
# SPLA042-013-048-AC	13 <i>0.512</i>	4.762 <i>0.187</i>	7.87 <i>0.310</i>	17.70 <i>0.697</i>	Acetal - Black	Plain - No Insert	7.87 <i>0.310</i>		1.70
# SPLA042-013-048-ACI	13 <i>0.512</i>	4.762 <i>0.187</i>	7.87 <i>0.310</i>	17.70 <i>0.697</i>	Acetal - Black	Brass Insert - Set Screw	9.40 <i>0.370</i>		1.70
# SPLA042-013-060-AC	13 <i>0.512</i>	6.000 <i>0.236</i>	8.00 <i>0.315</i>	17.70 <i>0.697</i>	Acetal - Black	Plain - No Insert	9.40 <i>0.370</i>		1.70
# SPLA042-013-064-AC	13 <i>0.512</i>	6.350 <i>0.250</i>	7.87 <i>0.310</i>	17.70 <i>0.697</i>	Acetal - Black	Plain - No Insert	9.40 <i>0.370</i>		1.70
# SPLA042-014-030-AC	14 <i>0.551</i>	3.000 <i>0.118</i>	8.00 <i>0.315</i>	17.70 <i>0.697</i>	Acetal - Black	Plain - No Insert	6.20 <i>0.244</i>		1.70

Indicates item not stocked at time of printing - Please enquire for lead time

Page 7 of 25

E&OE Pricing and all details subject to change without notice - Copyright Miniature Bearings Australia Pty Ltd
MBA Size Listings are a guide to sizes only and must not be solely relied on for critical design information.

Sprockets - Ladder Chain - 4.242mm Pitch - Size 21

Part Number	Teeth mm	Bore (d) mm	Overall Width (L) mm	Pitch Diameter mm	Material	Type	Hub Diameter mm	Locking Method	Tooth Width (Fw)
	<i>inches</i>	<i>inches</i>	<i>inches</i>	<i>inches</i>			<i>inches</i>		
# SPLA042-014-030-ACI	14 <i>0.551</i>	3.000 <i>0.118</i>	8.00 <i>0.315</i>	19.00 <i>0.748</i>	Acetal - Black	Brass Insert - Set Screw	9.40 <i>0.370</i>		1.70
# SPLA042-014-032-AC	14 <i>0.551</i>	3.175 <i>0.125</i>	7.87 <i>0.310</i>	19.03 <i>0.749</i>	Acetal - Black	Plain - No Insert	6.25 <i>0.246</i>		1.70
# SPLA042-014-032-ACI	14 <i>0.551</i>	3.175 <i>0.125</i>	7.87 <i>0.310</i>	19.03 <i>0.749</i>	Acetal - Black	Brass Insert - Set Screw	9.40 <i>0.370</i>		1.70
# SPLA042-014-040-AC	14 <i>0.551</i>	4.000 <i>0.157</i>	8.00 <i>0.315</i>	19.00 <i>0.748</i>	Acetal - Black	Plain - No Insert	7.90 <i>0.311</i>		1.70
# SPLA042-014-040-ACI	14 <i>0.551</i>	4.000 <i>0.157</i>	8.00 <i>0.315</i>	19.00 <i>0.748</i>	Acetal - Black	Brass Insert - Set Screw	9.40 <i>0.370</i>		1.70
# SPLA042-014-048-AC	14 <i>0.551</i>	4.762 <i>0.187</i>	7.87 <i>0.310</i>	19.03 <i>0.749</i>	Acetal - Black	Plain - No Insert	7.87 <i>0.310</i>		1.70
# SPLA042-014-048-ACI	14 <i>0.551</i>	4.762 <i>0.187</i>	7.87 <i>0.310</i>	19.03 <i>0.749</i>	Acetal - Black	Brass Insert - Set Screw	9.40 <i>0.370</i>		1.70
# SPLA042-014-060-AC	14 <i>0.551</i>	6.000 <i>0.236</i>	8.00 <i>0.315</i>	19.00 <i>0.748</i>	Acetal - Black	Plain - No Insert	9.40 <i>0.370</i>		1.70
# SPLA042-014-064-AC	14 <i>0.551</i>	6.350 <i>0.250</i>	7.87 <i>0.310</i>	19.03 <i>0.749</i>	Acetal - Black	Plain - No Insert	9.40 <i>0.370</i>		1.70

Indicates item not stocked at time of printing - Please enquire for lead time

Page 8 of 25

E&OE Pricing and all details subject to change without notice - Copyright Miniature Bearings Australia Pty Ltd
MBA Size Listings are a guide to sizes only and must not be solely relied on for critical design information.

Sprockets - Ladder Chain - 4.242mm Pitch - Size 21

Part Number	Teeth mm	Bore (d) mm	Overall Width (L) mm	Pitch Diameter mm	Material	Type	Hub Diameter mm	Locking Method	Tooth Width (Fw)
	<i>inches</i>	<i>inches</i>	<i>inches</i>	<i>inches</i>			<i>inches</i>		
# SPLA042-015-030-ACI	15	3.000	8.00	20.40	Acetal - Black	Brass Insert - Set Screw	9.40		1.70
	<i>0.591</i>	<i>0.118</i>	<i>0.315</i>	<i>0.803</i>			<i>0.370</i>		
# SPLA042-015-030-AC	15	3.000	8.00	19.00	Acetal - Black	Plain - No Insert	6.20		1.70
	<i>0.591</i>	<i>0.118</i>	<i>0.315</i>	<i>0.748</i>			<i>0.244</i>		
# SPLA042-015-032-ACI	15	3.175	7.87	20.37	Acetal - Black	Brass Insert - Set Screw	9.40		1.70
	<i>0.591</i>	<i>0.125</i>	<i>0.310</i>	<i>0.802</i>			<i>0.370</i>		
# SPLA042-015-032-AC	15	3.175	7.87	20.37	Acetal - Black	Plain - No Insert	6.25		1.70
	<i>0.591</i>	<i>0.125</i>	<i>0.310</i>	<i>0.802</i>			<i>0.246</i>		
# SPLA042-015-040-AC	15	4.000	8.00	20.40	Acetal - Black	Plain - No Insert	7.90		1.70
	<i>0.591</i>	<i>0.157</i>	<i>0.315</i>	<i>0.803</i>			<i>0.311</i>		
# SPLA042-015-040-ACI	15	4.000	8.00	20.40	Acetal - Black	Brass Insert - Set Screw	9.40		1.70
	<i>0.591</i>	<i>0.157</i>	<i>0.315</i>	<i>0.803</i>			<i>0.370</i>		
# SPLA042-015-048-AC	15	4.762	7.87	20.37	Acetal - Black	Plain - No Insert	7.87		1.70
	<i>0.591</i>	<i>0.187</i>	<i>0.310</i>	<i>0.802</i>			<i>0.310</i>		
# SPLA042-015-048-ACI	15	4.762	7.87	20.37	Acetal - Black	Brass Insert - Set Screw	9.40		1.70
	<i>0.591</i>	<i>0.187</i>	<i>0.310</i>	<i>0.802</i>			<i>0.370</i>		
# SPLA042-015-060-AC	15	6.000	8.00	20.40	Acetal - Black	Plain - No Insert	9.40		1.70
	<i>0.591</i>	<i>0.236</i>	<i>0.315</i>	<i>0.803</i>			<i>0.370</i>		

Indicates item not stocked at time of printing - Please enquire for lead time

Page 9 of 25

E&OE Pricing and all details subject to change without notice - Copyright Miniature Bearings Australia Pty Ltd
MBA Size Listings are a guide to sizes only and must not be solely relied on for critical design information.

Sprockets - Ladder Chain - 4.242mm Pitch - Size 21

Part Number	Teeth mm	Bore (d) mm	Overall Width (L) mm	Pitch Diameter mm	Material	Type	Hub Diameter mm	Locking Method	Tooth Width (Fw)
	<i>inches</i>	<i>inches</i>	<i>inches</i>	<i>inches</i>			<i>inches</i>		
# SPLA042-015-064-AC	15 <i>0.591</i>	6.350 <i>0.250</i>	7.87 <i>0.310</i>	20.37 <i>0.802</i>	Acetal - Black	Plain - No Insert	9.40 <i>0.370</i>		1.70
# SPLA042-016-030-AC	16 <i>0.630</i>	3.000 <i>0.118</i>	8.00 <i>0.315</i>	21.70 <i>0.854</i>	Acetal - Black	Plain - No Insert	6.20 <i>0.244</i>		1.70
# SPLA042-016-032-AC	16 <i>0.630</i>	3.175 <i>0.125</i>	7.87 <i>0.310</i>	21.72 <i>0.855</i>	Acetal - Black	Plain - No Insert	6.25 <i>0.246</i>		1.70
# SPLA042-016-032-ACI	16 <i>0.630</i>	3.175 <i>0.125</i>	7.87 <i>0.310</i>	21.72 <i>0.855</i>	Acetal - Black	Brass Insert - Set Screw	12.45 <i>0.490</i>		1.70
# SPLA042-016-040-AC	16 <i>0.630</i>	4.000 <i>0.157</i>	8.00 <i>0.315</i>	21.70 <i>0.854</i>	Acetal - Black	Plain - No Insert	7.90 <i>0.311</i>		1.70
# SPLA042-016-040-ACI	16 <i>0.630</i>	4.000 <i>0.157</i>	8.00 <i>0.315</i>	21.70 <i>0.854</i>	Acetal - Black	Brass Insert - Set Screw	12.40 <i>0.488</i>		1.70
# SPLA042-016-048-ACI	16 <i>0.630</i>	4.762 <i>0.187</i>	7.87 <i>0.310</i>	21.72 <i>0.855</i>	Acetal - Black	Brass Insert - Set Screw	12.45 <i>0.490</i>		1.70
# SPLA042-016-048-AC	16 <i>0.630</i>	4.762 <i>0.187</i>	7.87 <i>0.310</i>	21.72 <i>0.855</i>	Acetal - Black	Plain - No Insert	7.87 <i>0.310</i>		1.70
# SPLA042-016-050-ACI	16 <i>0.630</i>	5.000 <i>0.197</i>	8.00 <i>0.315</i>	21.70 <i>0.854</i>	Acetal - Black	Brass Insert - Set Screw	12.40 <i>0.488</i>		1.70

Indicates item not stocked at time of printing - Please enquire for lead time

Page 10 of 25

E&OE Pricing and all details subject to change without notice - Copyright Miniature Bearings Australia Pty Ltd
MBA Size Listings are a guide to sizes only and must not be solely relied on for critical design information.

Sprockets - Ladder Chain - 4.242mm Pitch - Size 21

Part Number	Teeth mm	Bore (d) mm	Overall Width (L) mm	Pitch Diameter mm	Material	Type	Hub Diameter mm	Locking Method	Tooth Width (Fw)
	<i>inches</i>	<i>inches</i>	<i>inches</i>	<i>inches</i>			<i>inches</i>		
# SPLA042-016-060-AC	16 <i>0.630</i>	6.000 <i>0.236</i>	8.00 <i>0.315</i>	21.70 <i>0.854</i>	Acetal - Black	Plain - No Insert	9.40 <i>0.370</i>		1.70
SPLA042-016-060-ACI	16 <i>0.630</i>	6.000 <i>0.236</i>	8.00 <i>0.315</i>	21.70 <i>0.854</i>	Acetal - Black	Brass Insert - Set Screw	12.40 <i>0.488</i>		1.70
# SPLA042-016-064-AC	16 <i>0.630</i>	6.350 <i>0.250</i>	7.87 <i>0.310</i>	21.72 <i>0.855</i>	Acetal - Black	Plain - No Insert	9.40 <i>0.370</i>		1.70
SPLA042-016-064-ACI	16 <i>0.630</i>	6.350 <i>0.250</i>	7.87 <i>0.310</i>	21.72 <i>0.855</i>	Acetal - Black	Brass Insert - Set Screw	12.45 <i>0.490</i>		1.70
# SPLA042-016-090-AC	16 <i>0.630</i>	9.000 <i>0.354</i>	8.00 <i>0.315</i>	21.70 <i>0.854</i>	Acetal - Black	Plain - No Insert	12.40 <i>0.488</i>		1.70
# SPLA042-016-095-AC	16 <i>0.630</i>	9.525 <i>0.375</i>	7.87 <i>0.310</i>	21.72 <i>0.855</i>	Acetal - Black	Plain - No Insert	12.45 <i>0.490</i>		1.70
# SPLA042-018-030-ACI	18 <i>0.709</i>	3.000 <i>0.118</i>	8.00 <i>0.315</i>	21.70 <i>0.854</i>	Acetal - Black	Brass Insert - Set Screw	12.40 <i>0.488</i>		1.70
# SPLA042-018-030-AC	18 <i>0.709</i>	3.000 <i>0.118</i>	8.00 <i>0.315</i>	24.40 <i>0.961</i>	Acetal - Black	Plain - No Insert	6.20 <i>0.244</i>		1.70
SPLA042-018-032-ACI	18 <i>0.709</i>	3.175 <i>0.125</i>	7.87 <i>0.310</i>	24.38 <i>0.960</i>	Acetal - Black	Brass Insert - Set Screw	12.45 <i>0.490</i>		1.70

Indicates item not stocked at time of printing - Please enquire for lead time

Page 11 of 25

E&OE Pricing and all details subject to change without notice - Copyright Miniature Bearings Australia Pty Ltd
MBA Size Listings are a guide to sizes only and must not be solely relied on for critical design information.

Sprockets - Ladder Chain - 4.242mm Pitch - Size 21

Part Number	Teeth mm	Bore (d) mm	Overall Width (L) mm	Pitch Diameter mm	Material	Type	Hub Diameter mm	Locking Method	Tooth Width (Fw)
	<i>inches</i>	<i>inches</i>	<i>inches</i>	<i>inches</i>			<i>inches</i>		
# SPLA042-018-032-AC	18 <i>0.709</i>	3.175 <i>0.125</i>	7.87 <i>0.310</i>	24.38 <i>0.960</i>	Acetal - Black	Plain - No Insert	6.25 <i>0.246</i>		1.70
# SPLA042-018-040-AC	18 <i>0.709</i>	4.000 <i>0.157</i>	8.00 <i>0.315</i>	24.40 <i>0.961</i>	Acetal - Black	Plain - No Insert	7.90 <i>0.311</i>		1.70
# SPLA042-018-040-ACI	18 <i>0.709</i>	4.000 <i>0.157</i>	8.00 <i>0.315</i>	24.40 <i>0.961</i>	Acetal - Black	Brass Insert - Set Screw	12.40 <i>0.488</i>		1.70
# SPLA042-018-048-AC	18 <i>0.709</i>	4.762 <i>0.187</i>	7.87 <i>0.310</i>	24.38 <i>0.960</i>	Acetal - Black	Plain - No Insert	7.87 <i>0.310</i>		1.70
# SPLA042-018-048-ACI	18 <i>0.709</i>	4.762 <i>0.187</i>	7.87 <i>0.310</i>	24.38 <i>0.960</i>	Acetal - Black	Brass Insert - Set Screw	12.45 <i>0.490</i>		1.70
# SPLA042-018-050-ACI	18 <i>0.709</i>	5.000 <i>0.197</i>	8.00 <i>0.315</i>	24.40 <i>0.961</i>	Acetal - Black	Brass Insert - Set Screw	12.40 <i>0.488</i>		1.70
# SPLA042-018-060-AC	18 <i>0.709</i>	6.000 <i>0.236</i>	8.00 <i>0.315</i>	24.40 <i>0.961</i>	Acetal - Black	Plain - No Insert	9.40 <i>0.370</i>		1.70
# SPLA042-018-060-ACI	18 <i>0.709</i>	6.000 <i>0.236</i>	8.00 <i>0.315</i>	24.40 <i>0.961</i>	Acetal - Black	Brass Insert - Set Screw	12.40 <i>0.488</i>		1.70
# SPLA042-018-064-AC	18 <i>0.709</i>	6.350 <i>0.250</i>	7.87 <i>0.310</i>	24.38 <i>0.960</i>	Acetal - Black	Plain - No Insert	9.40 <i>0.370</i>		1.70

Indicates item not stocked at time of printing - Please enquire for lead time

Page 12 of 25

E&OE Pricing and all details subject to change without notice - Copyright Miniature Bearings Australia Pty Ltd
MBA Size Listings are a guide to sizes only and must not be solely relied on for critical design information.

Sprockets - Ladder Chain - 4.242mm Pitch - Size 21

Part Number	Teeth mm	Bore (d) mm	Overall Width (L) mm	Pitch Diameter mm	Material	Type	Hub Diameter mm	Locking Method	Tooth Width (Fw)
	<i>inches</i>	<i>inches</i>	<i>inches</i>	<i>inches</i>			<i>inches</i>		
# SPLA042-018-064-ACI	18 <i>0.709</i>	6.350 <i>0.250</i>	7.87 <i>0.310</i>	24.38 <i>0.960</i>	Acetal - Black	Brass Insert - Set Screw	12.45 <i>0.490</i>		1.70
# SPLA042-018-090-AC	18 <i>0.709</i>	9.000 <i>0.354</i>	8.00 <i>0.315</i>	24.40 <i>0.961</i>	Acetal - Black	Plain - No Insert	12.40 <i>0.488</i>		1.70
# SPLA042-018-095-AC	18 <i>0.709</i>	9.525 <i>0.375</i>	7.87 <i>0.310</i>	24.38 <i>0.960</i>	Acetal - Black	Plain - No Insert	12.45 <i>0.490</i>		1.70
# SPLA042-020-030-ACI	20 <i>0.787</i>	3.000 <i>0.118</i>	8.00 <i>0.315</i>	24.40 <i>0.961</i>	Acetal - Black	Brass Insert - Set Screw	12.40 <i>0.488</i>		1.70
# SPLA042-020-030-AC	20 <i>0.787</i>	3.000 <i>0.118</i>	8.00 <i>0.315</i>	27.10 <i>1.067</i>	Acetal - Black	Plain - No Insert	6.20 <i>0.244</i>		1.70
# SPLA042-020-032-AC	20 <i>0.787</i>	3.175 <i>0.125</i>	7.87 <i>0.310</i>	27.08 <i>1.066</i>	Acetal - Black	Plain - No Insert	6.25 <i>0.246</i>		1.70
# SPLA042-020-032-ACI	20 <i>0.787</i>	3.175 <i>0.125</i>	7.87 <i>0.310</i>	27.08 <i>1.066</i>	Acetal - Black	Brass Insert - Set Screw	12.45 <i>0.490</i>		1.70
# SPLA042-020-040-AC	20 <i>0.787</i>	4.000 <i>0.157</i>	8.00 <i>0.315</i>	27.10 <i>1.067</i>	Acetal - Black	Plain - No Insert	7.90 <i>0.311</i>		1.70
# SPLA042-020-040-ACI	20 <i>0.787</i>	4.000 <i>0.157</i>	8.00 <i>0.315</i>	27.10 <i>1.067</i>	Acetal - Black	Brass Insert - Set Screw	12.40 <i>0.488</i>		1.70

Indicates item not stocked at time of printing - Please enquire for lead time

Page 13 of 25

E&OE Pricing and all details subject to change without notice - Copyright Miniature Bearings Australia Pty Ltd
MBA Size Listings are a guide to sizes only and must not be solely relied on for critical design information.

Sprockets - Ladder Chain - 4.242mm Pitch - Size 21

Part Number	Teeth mm	Bore (d) mm	Overall Width (L) mm	Pitch Diameter mm	Material	Type	Hub Diameter mm	Locking Method	Tooth Width (Fw)
	<i>inches</i>	<i>inches</i>	<i>inches</i>	<i>inches</i>			<i>inches</i>		
# SPLA042-020-048-AC	20 <i>0.787</i>	4.762 <i>0.187</i>	7.87 <i>0.310</i>	27.08 <i>1.066</i>	Acetal - Black	Plain - No Insert	7.87 <i>0.310</i>		1.70
# SPLA042-020-048-ACI	20 <i>0.787</i>	4.762 <i>0.187</i>	7.87 <i>0.310</i>	27.08 <i>1.066</i>	Acetal - Black	Brass Insert - Set Screw	12.45 <i>0.490</i>		1.70
# SPLA042-020-050-ACI	20 <i>0.787</i>	5.000 <i>0.197</i>	8.00 <i>0.315</i>	27.10 <i>1.067</i>	Acetal - Black	Brass Insert - Set Screw	12.40 <i>0.488</i>		1.70
# SPLA042-020-060-AC	20 <i>0.787</i>	6.000 <i>0.236</i>	8.00 <i>0.315</i>	27.10 <i>1.067</i>	Acetal - Black	Plain - No Insert	9.40 <i>0.370</i>		1.70
# SPLA042-020-060-ACI	20 <i>0.787</i>	6.000 <i>0.236</i>	8.00 <i>0.315</i>	27.10 <i>1.067</i>	Acetal - Black	Brass Insert - Set Screw	12.40 <i>0.488</i>		1.70
# SPLA042-020-064-ACI	20 <i>0.787</i>	6.350 <i>0.250</i>	7.87 <i>0.310</i>	27.08 <i>1.066</i>	Acetal - Black	Brass Insert - Set Screw	12.45 <i>0.490</i>		1.70
# SPLA042-020-064-AC	20 <i>0.787</i>	6.350 <i>0.250</i>	7.87 <i>0.310</i>	27.08 <i>1.066</i>	Acetal - Black	Plain - No Insert	9.40 <i>0.370</i>		1.70
# SPLA042-020-090-AC	20 <i>0.787</i>	9.000 <i>0.354</i>	8.00 <i>0.315</i>	27.10 <i>1.067</i>	Acetal - Black	Plain - No Insert	12.40 <i>0.488</i>		1.70
# SPLA042-020-095-AC	20 <i>0.787</i>	9.525 <i>0.375</i>	7.87 <i>0.310</i>	27.08 <i>1.066</i>	Acetal - Black	Plain - No Insert	12.45 <i>0.490</i>		1.70

Indicates item not stocked at time of printing - Please enquire for lead time

Page 14 of 25

E&OE Pricing and all details subject to change without notice - Copyright Miniature Bearings Australia Pty Ltd
MBA Size Listings are a guide to sizes only and must not be solely relied on for critical design information.

Sprockets - Ladder Chain - 4.242mm Pitch - Size 21

Part Number	Teeth mm	Bore (d) mm	Overall Width (L) mm	Pitch Diameter mm	Material	Type	Hub Diameter mm	Locking Method	Tooth Width (Fw)
	<i>inches</i>	<i>inches</i>	<i>inches</i>	<i>inches</i>			<i>inches</i>		
# SPLA042-021-030-ACI	21 <i>0.827</i>	3.000 <i>0.118</i>	8.00 <i>0.315</i>	27.10 <i>1.067</i>	Acetal - Black	Brass Insert - Set Screw	12.40 <i>0.488</i>		1.70
# SPLA042-021-040-AC	21 <i>0.827</i>	4.000 <i>0.157</i>	8.00 <i>0.315</i>	28.40 <i>1.118</i>	Acetal - Black	Plain - No Insert	7.90 <i>0.311</i>		1.70
# SPLA042-021-040-ACI	21 <i>0.827</i>	4.000 <i>0.157</i>	8.00 <i>0.315</i>	28.40 <i>1.118</i>	Acetal - Black	Brass Insert - Set Screw	12.40 <i>0.488</i>		1.70
# SPLA042-021-048-AC	21 <i>0.827</i>	4.762 <i>0.187</i>	7.87 <i>0.310</i>	28.42 <i>1.119</i>	Acetal - Black	Plain - No Insert	7.87 <i>0.310</i>		1.70
# SPLA042-021-048-ACI	21 <i>0.827</i>	4.762 <i>0.187</i>	7.87 <i>0.310</i>	28.42 <i>1.119</i>	Acetal - Black	Brass Insert - Set Screw	12.45 <i>0.490</i>		1.70
# SPLA042-021-050-ACI	21 <i>0.827</i>	5.000 <i>0.197</i>	8.00 <i>0.315</i>	28.40 <i>1.118</i>	Acetal - Black	Brass Insert - Set Screw	12.40 <i>0.488</i>		1.70
# SPLA042-021-060-ACI	21 <i>0.827</i>	6.000 <i>0.236</i>	8.00 <i>0.315</i>	28.40 <i>1.118</i>	Acetal - Black	Brass Insert - Set Screw	12.40 <i>0.488</i>		1.70
# SPLA042-021-060-AC	21 <i>0.827</i>	6.000 <i>0.236</i>	8.00 <i>0.315</i>	28.40 <i>1.118</i>	Acetal - Black	Plain - No Insert	9.40 <i>0.370</i>		1.70
# SPLA042-021-064-AC	21 <i>0.827</i>	6.350 <i>0.250</i>	7.87 <i>0.310</i>	28.42 <i>1.119</i>	Acetal - Black	Plain - No Insert	9.40 <i>0.370</i>		1.70

Indicates item not stocked at time of printing - Please enquire for lead time

Page 15 of 25

E&OE Pricing and all details subject to change without notice - Copyright Miniature Bearings Australia Pty Ltd
MBA Size Listings are a guide to sizes only and must not be solely relied on for critical design information.

Sprockets - Ladder Chain - 4.242mm Pitch - Size 21

Part Number	Teeth mm	Bore (d) mm	Overall Width (L) mm	Pitch Diameter mm	Material	Type	Hub Diameter mm	Locking Method	Tooth Width (Fw)
	<i>inches</i>	<i>inches</i>	<i>inches</i>	<i>inches</i>			<i>inches</i>		
# SPLA042-021-064-ACI	21	6.350	7.87	28.42	Acetal - Black	Brass Insert - Set Screw	12.45		1.70
	<i>0.827</i>	<i>0.250</i>	<i>0.310</i>	<i>1.119</i>			<i>0.490</i>		
# SPLA042-021-090-AC	21	9.000	8.00	28.40	Acetal - Black	Plain - No Insert	12.40		1.70
	<i>0.827</i>	<i>0.354</i>	<i>0.315</i>	<i>1.118</i>			<i>0.488</i>		
# SPLA042-021-095-AC	21	9.525	7.87	28.42	Acetal - Black	Plain - No Insert	12.45		1.70
	<i>0.827</i>	<i>0.375</i>	<i>0.310</i>	<i>1.119</i>			<i>0.490</i>		
# SPLA042-022-040-AC	22	4.000	8.00	29.80	Acetal - Black	Plain - No Insert	7.90		1.70
	<i>0.866</i>	<i>0.157</i>	<i>0.315</i>	<i>1.173</i>			<i>0.311</i>		
# SPLA042-022-040-ACI	22	4.000	8.00	29.80	Acetal - Black	Brass Insert - Set Screw	12.40		1.70
	<i>0.866</i>	<i>0.157</i>	<i>0.315</i>	<i>1.173</i>			<i>0.488</i>		
# SPLA042-022-048-AC	22	4.762	7.87	29.77	Acetal - Black	Plain - No Insert	7.87		1.70
	<i>0.866</i>	<i>0.187</i>	<i>0.310</i>	<i>1.172</i>			<i>0.310</i>		
# SPLA042-022-048-ACI	22	4.762	7.87	29.77	Acetal - Black	Brass Insert - Set Screw	12.45		1.70
	<i>0.866</i>	<i>0.187</i>	<i>0.310</i>	<i>1.172</i>			<i>0.490</i>		
# SPLA042-022-050-ACI	22	5.000	8.00	29.80	Acetal - Black	Brass Insert - Set Screw	12.40		1.70
	<i>0.866</i>	<i>0.197</i>	<i>0.315</i>	<i>1.173</i>			<i>0.488</i>		
# SPLA042-022-060-AC	22	6.000	8.00	29.80	Acetal - Black	Plain - No Insert	9.40		1.70
	<i>0.866</i>	<i>0.236</i>	<i>0.315</i>	<i>1.173</i>			<i>0.370</i>		

Indicates item not stocked at time of printing - Please enquire for lead time

Page 16 of 25

E&OE Pricing and all details subject to change without notice - Copyright Miniature Bearings Australia Pty Ltd
MBA Size Listings are a guide to sizes only and must not be solely relied on for critical design information.

Sprockets - Ladder Chain - 4.242mm Pitch - Size 21

Part Number	Teeth mm	Bore (d) mm	Overall Width (L) mm	Pitch Diameter mm	Material	Type	Hub Diameter mm	Locking Method	Tooth Width (Fw)
	<i>inches</i>	<i>inches</i>	<i>inches</i>	<i>inches</i>			<i>inches</i>		
# SPLA042-022-060-ACI	22 <i>0.866</i>	6.000 <i>0.236</i>	8.00 <i>0.315</i>	29.80 <i>1.173</i>	Acetal - Black	Brass Insert - Set Screw	12.40 <i>0.488</i>		1.70
# SPLA042-022-064-AC	22 <i>0.866</i>	6.350 <i>0.250</i>	7.87 <i>0.310</i>	29.77 <i>1.172</i>	Acetal - Black	Plain - No Insert	9.40 <i>0.370</i>		1.70
# SPLA042-022-064-ACI	22 <i>0.866</i>	6.350 <i>0.250</i>	7.87 <i>0.310</i>	29.77 <i>1.172</i>	Acetal - Black	Brass Insert - Set Screw	12.45 <i>0.490</i>		1.70
# SPLA042-022-090-AC	22 <i>0.866</i>	9.000 <i>0.354</i>	8.00 <i>0.315</i>	29.80 <i>1.173</i>	Acetal - Black	Plain - No Insert	12.40 <i>0.488</i>		1.70
# SPLA042-022-095-AC	22 <i>0.866</i>	9.525 <i>0.375</i>	7.87 <i>0.310</i>	29.77 <i>1.172</i>	Acetal - Black	Plain - No Insert	12.45 <i>0.490</i>		1.70
# SPLA042-024-040-AC	24 <i>0.945</i>	4.000 <i>0.157</i>	8.00 <i>0.315</i>	32.40 <i>1.276</i>	Acetal - Black	Plain - No Insert	7.90 <i>0.311</i>		1.70
# SPLA042-024-040-ACI	24 <i>0.945</i>	4.000 <i>0.157</i>	8.00 <i>0.315</i>	32.40 <i>1.276</i>	Acetal - Black	Brass Insert - Set Screw	12.40 <i>0.488</i>		1.70
# SPLA042-024-048-AC	24 <i>0.945</i>	4.762 <i>0.187</i>	7.87 <i>0.310</i>	32.44 <i>1.277</i>	Acetal - Black	Plain - No Insert	7.87 <i>0.310</i>		1.70
# SPLA042-024-048-ACI	24 <i>0.945</i>	4.762 <i>0.187</i>	7.87 <i>0.310</i>	32.44 <i>1.277</i>	Acetal - Black	Brass Insert - Set Screw	12.45 <i>0.490</i>		1.70

Indicates item not stocked at time of printing - Please enquire for lead time

Page 17 of 25

E&OE Pricing and all details subject to change without notice - Copyright Miniature Bearings Australia Pty Ltd
MBA Size Listings are a guide to sizes only and must not be solely relied on for critical design information.

Sprockets - Ladder Chain - 4.242mm Pitch - Size 21

Part Number	Teeth mm	Bore (d) mm	Overall Width (L) mm	Pitch Diameter mm	Material	Type	Hub Diameter mm	Locking Method	Tooth Width (Fw)
	<i>inches</i>	<i>inches</i>	<i>inches</i>	<i>inches</i>			<i>inches</i>		
# SPLA042-024-050-ACI	24	5.000	8.00	32.40	Acetal - Black	Brass Insert - Set Screw	12.40		1.70
	<i>0.945</i>	<i>0.197</i>	<i>0.315</i>	<i>1.276</i>			<i>0.488</i>		
# SPLA042-024-060-AC	24	6.000	8.00	32.40	Acetal - Black	Plain - No Insert	9.40		1.70
	<i>0.945</i>	<i>0.236</i>	<i>0.315</i>	<i>1.276</i>			<i>0.370</i>		
# SPLA042-024-060-ACI	24	6.000	8.00	32.40	Acetal - Black	Brass Insert - Set Screw	12.40		1.70
	<i>0.945</i>	<i>0.236</i>	<i>0.315</i>	<i>1.276</i>			<i>0.488</i>		
# SPLA042-024-064-ACI	24	6.350	7.87	32.44	Acetal - Black	Brass Insert - Set Screw	12.45		1.70
	<i>0.945</i>	<i>0.250</i>	<i>0.310</i>	<i>1.277</i>			<i>0.490</i>		
# SPLA042-024-064-AC	24	6.350	7.87	32.44	Acetal - Black	Plain - No Insert	9.40		1.70
	<i>0.945</i>	<i>0.250</i>	<i>0.310</i>	<i>1.277</i>			<i>0.370</i>		
# SPLA042-024-090-AC	24	9.000	8.00	32.40	Acetal - Black	Plain - No Insert	12.40		1.70
	<i>0.945</i>	<i>0.354</i>	<i>0.315</i>	<i>1.276</i>			<i>0.488</i>		
# SPLA042-024-095-AC	24	9.525	7.87	32.44	Acetal - Black	Plain - No Insert	12.45		1.70
	<i>0.945</i>	<i>0.375</i>	<i>0.310</i>	<i>1.277</i>			<i>0.490</i>		
# SPLA042-025-040-AC	25	4.000	8.00	33.80	Acetal - Black	Plain - No Insert	7.90		1.70
	<i>0.984</i>	<i>0.157</i>	<i>0.315</i>	<i>1.331</i>			<i>0.311</i>		
# SPLA042-025-040-ACI	25	4.000	8.00	33.80	Acetal - Black	Brass Insert - Set Screw	12.40		1.70
	<i>0.984</i>	<i>0.157</i>	<i>0.315</i>	<i>1.331</i>			<i>0.488</i>		

Indicates item not stocked at time of printing - Please enquire for lead time

Page 18 of 25

E&OE Pricing and all details subject to change without notice - Copyright Miniature Bearings Australia Pty Ltd
MBA Size Listings are a guide to sizes only and must not be solely relied on for critical design information.

Sprockets - Ladder Chain - 4.242mm Pitch - Size 21

Part Number	Teeth mm	Bore (d) mm	Overall Width (L) mm	Pitch Diameter mm	Material	Type	Hub Diameter mm	Locking Method	Tooth Width (Fw)
	<i>inches</i>	<i>inches</i>	<i>inches</i>	<i>inches</i>			<i>inches</i>		
# SPLA042-025-048-AC	25 <i>0.984</i>	4.762 <i>0.187</i>	7.87 <i>0.310</i>	33.78 <i>1.330</i>	Acetal - Black	Plain - No Insert	7.87 <i>0.310</i>		1.70
# SPLA042-025-048-ACI	25 <i>0.984</i>	4.762 <i>0.187</i>	7.87 <i>0.310</i>	33.78 <i>1.330</i>	Acetal - Black	Brass Insert - Set Screw	12.45 <i>0.490</i>		1.70
# SPLA042-025-050-ACI	25 <i>0.984</i>	5.000 <i>0.197</i>	8.00 <i>0.315</i>	33.80 <i>1.331</i>	Acetal - Black	Brass Insert - Set Screw	12.40 <i>0.488</i>		1.70
# SPLA042-025-060-AC	25 <i>0.984</i>	6.000 <i>0.236</i>	8.00 <i>0.315</i>	33.80 <i>1.331</i>	Acetal - Black	Plain - No Insert	9.40 <i>0.370</i>		1.70
# SPLA042-025-060-ACI	25 <i>0.984</i>	6.000 <i>0.236</i>	8.00 <i>0.315</i>	33.80 <i>1.331</i>	Acetal - Black	Brass Insert - Set Screw	12.40 <i>0.488</i>		1.70
# SPLA042-025-064-AC	25 <i>0.984</i>	6.350 <i>0.250</i>	7.87 <i>0.310</i>	33.78 <i>1.330</i>	Acetal - Black	Plain - No Insert	9.40 <i>0.370</i>		1.70
# SPLA042-025-064-ACI	25 <i>0.984</i>	6.350 <i>0.250</i>	7.87 <i>0.310</i>	33.78 <i>1.330</i>	Acetal - Black	Brass Insert - Set Screw	12.45 <i>0.490</i>		1.70
# SPLA042-025-090-AC	25 <i>0.984</i>	9.000 <i>0.354</i>	8.00 <i>0.315</i>	33.80 <i>1.331</i>	Acetal - Black	Plain - No Insert	12.40 <i>0.488</i>		1.70
# SPLA042-025-095-AC	25 <i>0.984</i>	9.525 <i>0.375</i>	7.87 <i>0.310</i>	33.78 <i>1.330</i>	Acetal - Black	Plain - No Insert	12.45 <i>0.490</i>		1.70

Indicates item not stocked at time of printing - Please enquire for lead time

Page 19 of 25

E&OE Pricing and all details subject to change without notice - Copyright Miniature Bearings Australia Pty Ltd
MBA Size Listings are a guide to sizes only and must not be solely relied on for critical design information.

Sprockets - Ladder Chain - 4.242mm Pitch - Size 21

Part Number	Teeth mm	Bore (d) mm	Overall Width (L) mm	Pitch Diameter mm	Material	Type	Hub Diameter mm	Locking Method	Tooth Width (Fw)
	<i>inches</i>	<i>inches</i>	<i>inches</i>	<i>inches</i>			<i>inches</i>		
# SPLA042-030-040-AC	30 <i>1.181</i>	4.000 <i>0.157</i>	8.00 <i>0.315</i>	40.50 <i>1.594</i>	Acetal - Black	Plain - No Insert	7.90 <i>0.311</i>		1.70
# SPLA042-030-040-ACI	30 <i>1.181</i>	4.000 <i>0.157</i>	8.00 <i>0.315</i>	40.50 <i>1.594</i>	Acetal - Black	Brass Insert - Set Screw	12.40 <i>0.488</i>		1.70
# SPLA042-030-048-AC	30 <i>1.181</i>	4.762 <i>0.187</i>	7.87 <i>0.310</i>	40.51 <i>1.595</i>	Acetal - Black	Plain - No Insert	7.87 <i>0.310</i>		1.70
# SPLA042-030-048-ACI	30 <i>1.181</i>	4.762 <i>0.187</i>	7.87 <i>0.310</i>	40.51 <i>1.595</i>	Acetal - Black	Brass Insert - Set Screw	12.45 <i>0.490</i>		1.70
# SPLA042-030-050-ACI	30 <i>1.181</i>	5.000 <i>0.197</i>	8.00 <i>0.315</i>	40.50 <i>1.594</i>	Acetal - Black	Brass Insert - Set Screw	12.40 <i>0.488</i>		1.70
# SPLA042-030-060-AC	30 <i>1.181</i>	6.000 <i>0.236</i>	8.00 <i>0.315</i>	40.50 <i>1.594</i>	Acetal - Black	Plain - No Insert	9.40 <i>0.370</i>		1.70
# SPLA042-030-060-ACI	30 <i>1.181</i>	6.000 <i>0.236</i>	8.00 <i>0.315</i>	40.50 <i>1.594</i>	Acetal - Black	Brass Insert - Set Screw	12.40 <i>0.488</i>		1.70
# SPLA042-030-064-AC	30 <i>1.181</i>	6.350 <i>0.250</i>	7.87 <i>0.310</i>	40.51 <i>1.595</i>	Acetal - Black	Plain - No Insert	9.40 <i>0.370</i>		1.70
# SPLA042-030-064-ACI	30 <i>1.181</i>	6.350 <i>0.250</i>	7.87 <i>0.310</i>	40.51 <i>1.595</i>	Acetal - Black	Brass Insert - Set Screw	12.45 <i>0.490</i>		1.70

Indicates item not stocked at time of printing - Please enquire for lead time

Page 20 of 25

E&OE Pricing and all details subject to change without notice - Copyright Miniature Bearings Australia Pty Ltd
MBA Size Listings are a guide to sizes only and must not be solely relied on for critical design information.

Sprockets - Ladder Chain - 4.242mm Pitch - Size 21

Part Number	Teeth mm	Bore (d) mm	Overall Width (L) mm	Pitch Diameter mm	Material	Type	Hub Diameter mm	Locking Method	Tooth Width (Fw)
	<i>inches</i>	<i>inches</i>	<i>inches</i>	<i>inches</i>			<i>inches</i>		
# SPLA042-030-090-AC	30 <i>1.181</i>	9.000 <i>0.354</i>	8.00 <i>0.315</i>	43.20 <i>1.701</i>	Acetal - Black	Plain - No Insert	12.40 <i>0.488</i>		1.70
# SPLA042-030-095-AC	30 <i>1.181</i>	9.525 <i>0.375</i>	7.87 <i>0.310</i>	40.51 <i>1.595</i>	Acetal - Black	Plain - No Insert	12.45 <i>0.490</i>		1.70
# SPLA042-032-040-ACI	32 <i>1.260</i>	4.000 <i>0.157</i>	8.00 <i>0.315</i>	43.20 <i>1.701</i>	Acetal - Black	Brass Insert - Set Screw	12.40 <i>0.488</i>		1.70
# SPLA042-032-048-ACI	32 <i>1.260</i>	4.762 <i>0.187</i>	7.87 <i>0.310</i>	43.21 <i>1.701</i>	Acetal - Black	Brass Insert - Set Screw	12.45 <i>0.490</i>		1.70
# SPLA042-032-050-ACI	32 <i>1.260</i>	5.000 <i>0.197</i>	8.00 <i>0.315</i>	43.20 <i>1.701</i>	Acetal - Black	Brass Insert - Set Screw	12.40 <i>0.488</i>		1.70
# SPLA042-032-060-AC	32 <i>1.260</i>	6.000 <i>0.236</i>	8.00 <i>0.315</i>	43.20 <i>1.701</i>	Acetal - Black	Plain - No Insert	9.40 <i>0.370</i>		1.70
# SPLA042-032-060-ACI	32 <i>1.260</i>	6.000 <i>0.236</i>	8.00 <i>0.315</i>	43.20 <i>1.701</i>	Acetal - Black	Brass Insert - Set Screw	12.40 <i>0.488</i>		1.70
# SPLA042-032-064-AC	32 <i>1.260</i>	6.350 <i>0.250</i>	7.87 <i>0.310</i>	43.21 <i>1.701</i>	Acetal - Black	Plain - No Insert	7.87 <i>0.310</i>		1.70
# SPLA042-032-064-ACI	32 <i>1.260</i>	6.350 <i>0.250</i>	7.87 <i>0.310</i>	43.21 <i>1.701</i>	Acetal - Black	Brass Insert - Set Screw	12.45 <i>0.490</i>		1.70

Indicates item not stocked at time of printing - Please enquire for lead time

Page 21 of 25

E&OE Pricing and all details subject to change without notice - Copyright Miniature Bearings Australia Pty Ltd
MBA Size Listings are a guide to sizes only and must not be solely relied on for critical design information.

Sprockets - Ladder Chain - 4.242mm Pitch - Size 21

Part Number	Teeth mm	Bore (d) mm	Overall Width (L) mm	Pitch Diameter mm	Material	Type	Hub Diameter mm	Locking Method	Tooth Width (Fw)
	<i>inches</i>	<i>inches</i>	<i>inches</i>	<i>inches</i>			<i>inches</i>		
# SPLA042-032-090-AC	32 <i>1.260</i>	9.000 <i>0.354</i>	8.00 <i>0.315</i>	48.60 <i>1.913</i>	Acetal - Black	Plain - No Insert	12.40 <i>0.488</i>		1.70
# SPLA042-032-095-AC	32 <i>1.260</i>	9.525 <i>0.375</i>	7.87 <i>0.310</i>	43.21 <i>1.701</i>	Acetal - Black	Plain - No Insert	12.45 <i>0.490</i>		1.70
# SPLA042-036-040-ACI	36 <i>1.417</i>	4.000 <i>0.157</i>	8.00 <i>0.315</i>	48.60 <i>1.913</i>	Acetal - Black	Brass Insert - Set Screw	12.40 <i>0.488</i>		1.70
# SPLA042-036-048-ACI	36 <i>1.417</i>	4.762 <i>0.187</i>	7.87 <i>0.310</i>	48.59 <i>1.913</i>	Acetal - Black	Brass Insert - Set Screw	12.45 <i>0.490</i>		1.70
# SPLA042-036-050-ACI	36 <i>1.417</i>	5.000 <i>0.197</i>	8.00 <i>0.315</i>	48.60 <i>1.913</i>	Acetal - Black	Brass Insert - Set Screw	12.40 <i>0.488</i>		1.70
# SPLA042-036-060-ACI	36 <i>1.417</i>	6.000 <i>0.236</i>	8.00 <i>0.315</i>	48.60 <i>1.913</i>	Acetal - Black	Brass Insert - Set Screw	12.40 <i>0.488</i>		1.70
# SPLA042-036-060-AC	36 <i>1.417</i>	6.000 <i>0.236</i>	8.00 <i>0.315</i>	48.60 <i>1.913</i>	Acetal - Black	Plain - No Insert	9.40 <i>0.370</i>		1.70
# SPLA042-036-064-AC	36 <i>1.417</i>	6.350 <i>0.250</i>	7.87 <i>0.310</i>	48.59 <i>1.913</i>	Acetal - Black	Plain - No Insert	9.40 <i>0.370</i>		1.70
# SPLA042-036-064-ACI	36 <i>1.417</i>	6.350 <i>0.250</i>	7.87 <i>0.310</i>	48.59 <i>1.913</i>	Acetal - Black	Brass Insert - Set Screw	12.45 <i>0.490</i>		1.70

Indicates item not stocked at time of printing - Please enquire for lead time

Page 22 of 25

E&OE Pricing and all details subject to change without notice - Copyright Miniature Bearings Australia Pty Ltd
MBA Size Listings are a guide to sizes only and must not be solely relied on for critical design information.

Sprockets - Ladder Chain - 4.242mm Pitch - Size 21

Part Number	Teeth mm	Bore (d) mm	Overall Width (L) mm	Pitch Diameter mm	Material	Type	Hub Diameter mm	Locking Method	Tooth Width (Fw)
	<i>inches</i>	<i>inches</i>	<i>inches</i>	<i>inches</i>			<i>inches</i>		
# SPLA042-036-090-AC	36 <i>1.417</i>	9.000 <i>0.354</i>	8.00 <i>0.315</i>	54.00 <i>2.126</i>	Acetal - Black	Plain - No Insert	12.40 <i>0.488</i>		1.70
# SPLA042-036-095-AC	36 <i>1.417</i>	9.525 <i>0.375</i>	7.87 <i>0.310</i>	48.59 <i>1.913</i>	Acetal - Black	Plain - No Insert	12.45 <i>0.490</i>		1.70
# SPLA042-040-040-ACI	40 <i>1.575</i>	4.000 <i>0.157</i>	8.00 <i>0.315</i>	54.00 <i>2.126</i>	Acetal - Black	Brass Insert - Set Screw	12.40 <i>0.488</i>		1.70
# SPLA042-040-048-ACI	40 <i>1.575</i>	4.762 <i>0.187</i>	7.87 <i>0.310</i>	53.98 <i>2.125</i>	Acetal - Black	Brass Insert - Set Screw	12.45 <i>0.490</i>		1.70
# SPLA042-040-050-ACI	40 <i>1.575</i>	5.000 <i>0.197</i>	8.00 <i>0.315</i>	54.00 <i>2.126</i>	Acetal - Black	Brass Insert - Set Screw	12.40 <i>0.488</i>		1.70
# SPLA042-040-060-AC	40 <i>1.575</i>	6.000 <i>0.236</i>	8.00 <i>0.315</i>	54.00 <i>2.126</i>	Acetal - Black	Plain - No Insert	9.40 <i>0.370</i>		1.70
# SPLA042-040-060-ACI	40 <i>1.575</i>	6.000 <i>0.236</i>	8.00 <i>0.315</i>	54.00 <i>2.126</i>	Acetal - Black	Brass Insert - Set Screw	12.40 <i>0.488</i>		1.70
# SPLA042-040-064-AC	40 <i>1.575</i>	6.350 <i>0.250</i>	7.87 <i>0.310</i>	53.98 <i>2.125</i>	Acetal - Black	Plain - No Insert	9.40 <i>0.370</i>		1.70
# SPLA042-040-064-ACI	40 <i>1.575</i>	6.350 <i>0.250</i>	7.87 <i>0.310</i>	53.98 <i>2.125</i>	Acetal - Black	Brass Insert - Set Screw	12.45 <i>0.490</i>		1.70

Indicates item not stocked at time of printing - Please enquire for lead time

Page 23 of 25

E&OE Pricing and all details subject to change without notice - Copyright Miniature Bearings Australia Pty Ltd
MBA Size Listings are a guide to sizes only and must not be solely relied on for critical design information.

Sprockets - Ladder Chain - 4.242mm Pitch - Size 21

Part Number	Teeth mm	Bore (d) mm	Overall Width (L) mm	Pitch Diameter mm	Material	Type	Hub Diameter mm	Locking Method	Tooth Width (Fw)
	<i>inches</i>	<i>inches</i>	<i>inches</i>	<i>inches</i>			<i>inches</i>		
# SPLA042-040-090-AC	40 <i>1.575</i>	9.000 <i>0.354</i>	8.00 <i>0.315</i>	64.70 <i>2.547</i>	Acetal - Black	Plain - No Insert	12.40 <i>0.488</i>		1.70
# SPLA042-040-095-AC	40 <i>1.575</i>	9.525 <i>0.375</i>	7.87 <i>0.310</i>	53.98 <i>2.125</i>	Acetal - Black	Plain - No Insert	12.45 <i>0.490</i>		1.70
# SPLA042-048-040-ACI	48 <i>1.890</i>	4.000 <i>0.157</i>	8.00 <i>0.315</i>	64.70 <i>2.547</i>	Acetal - Black	Brass Insert - Set Screw	12.40 <i>0.488</i>		1.70
# SPLA042-048-048-ACI	48 <i>1.890</i>	4.762 <i>0.187</i>	7.87 <i>0.310</i>	64.75 <i>2.549</i>	Acetal - Black	Brass Insert - Set Screw	12.45 <i>0.490</i>		1.70
# SPLA042-048-050-ACI	48 <i>1.890</i>	5.000 <i>0.197</i>	8.00 <i>0.315</i>	64.70 <i>2.547</i>	Acetal - Black	Brass Insert - Set Screw	12.40 <i>0.488</i>		1.70
# SPLA042-048-060-AC	48 <i>1.890</i>	6.000 <i>0.236</i>	8.00 <i>0.315</i>	64.70 <i>2.547</i>	Acetal - Black	Plain - No Insert	9.40 <i>0.370</i>		1.70
# SPLA042-048-060-ACI	48 <i>1.890</i>	6.000 <i>0.236</i>	8.00 <i>0.315</i>	64.70 <i>2.547</i>	Acetal - Black	Brass Insert - Set Screw	12.40 <i>0.488</i>		1.70
# SPLA042-048-064-AC	48 <i>1.890</i>	6.350 <i>0.250</i>	7.87 <i>0.310</i>	64.75 <i>2.549</i>	Acetal - Black	Plain - No Insert	9.40 <i>0.370</i>		1.70
# SPLA042-048-064-ACI	48 <i>1.890</i>	6.350 <i>0.250</i>	7.87 <i>0.310</i>	64.75 <i>2.549</i>	Acetal - Black	Brass Insert - Set Screw	12.45 <i>0.490</i>		1.70

Indicates item not stocked at time of printing - Please enquire for lead time

Page 24 of 25

E&OE Pricing and all details subject to change without notice - Copyright Miniature Bearings Australia Pty Ltd
MBA Size Listings are a guide to sizes only and must not be solely relied on for critical design information.

Sprockets - Ladder Chain - 4.242mm Pitch - Size 21

Part Number	Teeth mm	Bore (d) mm	Overall Width (L) mm	Pitch Diameter mm	Material	Type	Hub Diameter mm	Locking Method	Tooth Width (Fw)
	<i>inches</i>	<i>inches</i>	<i>inches</i>	<i>inches</i>			<i>inches</i>		
# SPLA042-048-090-AC	48 <i>1.890</i>	9.000 <i>0.354</i>	8.00 <i>0.315</i>	64.70 <i>2.547</i>	Acetal - Black	Plain - No Insert	12.40 <i>0.488</i>		1.70
# SPLA042-048-095-AC	48 <i>1.890</i>	9.525 <i>0.375</i>	7.87 <i>0.310</i>	64.75 <i>2.549</i>	Acetal - Black	Plain - No Insert	12.45 <i>0.490</i>		1.70

Indicates item not stocked at time of printing - Please enquire for lead time

E&OE Pricing and all details subject to change without notice - Copyright Miniature Bearings Australia Pty Ltd

MBA Size Listings are a guide to sizes only and must not be solely relied on for critical design information.

DISTRIBUTED BY

Distributed By:

