



Sprockets - Ladder Chain - 7.264mm Pitch - Size 18

10/4/2018

Indicates item not stocked at time of printing - Please enquire for lead time

E&OE Pricing and all details subject to change without notice - Copyright Miniature Bearings Australia Pty Ltd

MBA Size Listings are a guide to sizes only and must not be solely relied on for critical design information.

Page 1 of 20

INFORMATION

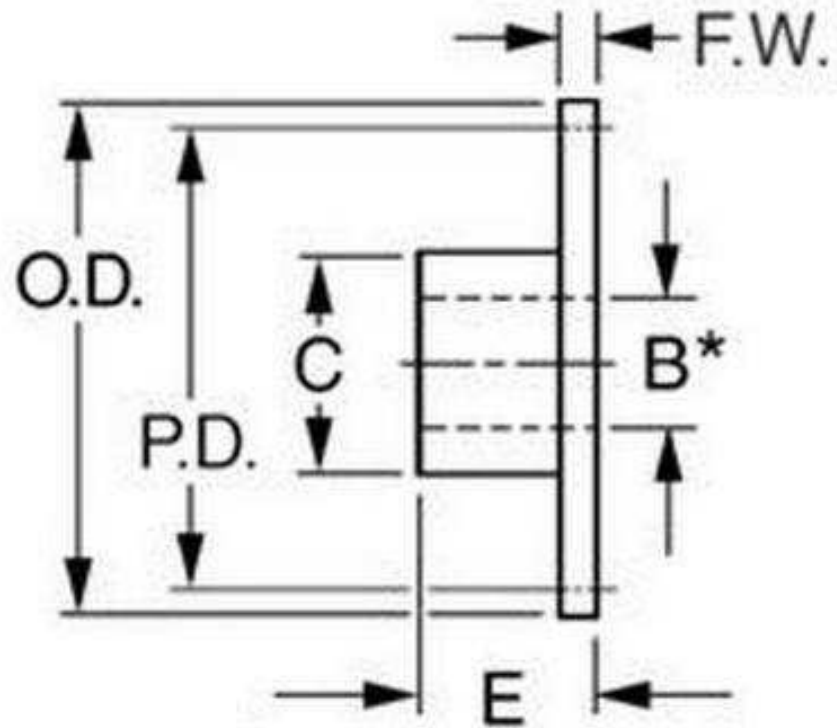
Plastic, bronze and steel.

This catalogue to be read in conjunction with information at
<http://www.minibearings.com.au/partslist/chainladder7264mmpitchsize18/ladderchainandsprockets/all/1/>

Indicates item not stocked at time of printing - Please enquire for lead time

E&OE Pricing and all details subject to change without notice - Copyright Miniature Bearings Australia Pty Ltd

MBA Size Listings are a guide to sizes only and must not be solely relied on for critical design information.



Indicates item not stocked at time of printing - Please enquire for lead time

E&OE Pricing and all details subject to change without notice - Copyright Miniature Bearings Australia Pty Ltd
MBA Size Listings are a guide to sizes only and must not be solely relied on for critical design information.

Sprockets - Ladder Chain - 7.264mm Pitch - Size 18

Part Number	Teeth mm	Bore (d) mm	Overall Width (L) mm	Pitch Diameter mm	Material	Type	Hub Diameter mm	Locking Method	Tooth Width (Fw)
	<i>inches</i>	<i>inches</i>	<i>inches</i>	<i>inches</i>			<i>inches</i>		
# SPLA073-006-048-BZ	6 <i>0.236</i>	4.762 <i>0.187</i>	9.53 <i>0.375</i>	14.48 <i>0.570</i>	Bronze		9.53 <i>0.375</i>		3.05
# SPLA073-006-064-C	6 <i>0.236</i>	6.350 <i>0.250</i>	15.88 <i>0.625</i>	14.48 <i>0.570</i>	Carbon Steel	Plain - No Insert	12.70 <i>0.500</i>		3.05
# SPLA073-007-048-BZ	7 <i>0.276</i>	4.762 <i>0.187</i>	9.53 <i>0.375</i>	17.02 <i>0.670</i>	Bronze		9.53 <i>0.375</i>		3.05
# SPLA073-007-064-C	7 <i>0.276</i>	6.350 <i>0.250</i>	15.88 <i>0.625</i>	17.02 <i>0.670</i>	Carbon Steel	Plain - No Insert	14.30 <i>0.563</i>		3.05
# SPLA073-008-048-BZ	8 <i>0.315</i>	4.762 <i>0.187</i>	9.53 <i>0.375</i>	19.05 <i>0.750</i>	Bronze		11.13 <i>0.438</i>		3.05
# SPLA073-008-060-AC	8 <i>0.315</i>	6.000 <i>0.236</i>	8.90 <i>0.350</i>	19.00 <i>0.748</i>	Acetal - Black	Plain - No Insert	12.50 <i>0.492</i>		2.54
# SPLA073-008-064-AC	8 <i>0.315</i>	6.350 <i>0.250</i>	8.89 <i>0.350</i>	18.97 <i>0.747</i>	Acetal - Black	Plain - No Insert	12.45 <i>0.490</i>		2.54
# SPLA073-008-079-C	8 <i>0.315</i>	7.938 <i>0.313</i>	15.88 <i>0.625</i>	19.05 <i>0.750</i>	Carbon Steel	Plain - No Insert	17.48 <i>0.688</i>		3.05
# SPLA073-009-048-BZ	9 <i>0.354</i>	4.762 <i>0.187</i>	9.53 <i>0.375</i>	21.08 <i>0.830</i>	Bronze	Plain - No Insert	11.13 <i>0.438</i>		3.05
# SPLA073-009-079-C	9 <i>0.354</i>	7.938 <i>0.313</i>	15.88 <i>0.625</i>	21.08 <i>0.830</i>	Carbon Steel	Plain - No Insert	19.05 <i>0.750</i>		3.05

Indicates item not stocked at time of printing - Please enquire for lead time

Page 4 of 20

E&OE Pricing and all details subject to change without notice - Copyright Miniature Bearings Australia Pty Ltd
MBA Size Listings are a guide to sizes only and must not be solely relied on for critical design information.

Sprockets - Ladder Chain - 7.264mm Pitch - Size 18

Part Number	Teeth mm	Bore (d) mm	Overall Width (L) mm	Pitch Diameter mm	Material	Type	Hub Diameter mm	Locking Method	Tooth Width (Fw)
	<i>inches</i>	<i>inches</i>	<i>inches</i>	<i>inches</i>			<i>inches</i>		
# SPLA073-010-048-BZ	10 <i>0.394</i>	4.762 <i>0.187</i>	9.53 <i>0.375</i>	23.37 <i>0.920</i>	Bronze		12.70 <i>0.500</i>		3.05
# SPLA073-010-060-AC	10 <i>0.394</i>	6.000 <i>0.236</i>	8.90 <i>0.350</i>	23.50 <i>0.925</i>	Acetal - Black	Plain - No Insert	12.50 <i>0.492</i>		2.54
# SPLA073-010-064-AC	10 <i>0.394</i>	6.350 <i>0.250</i>	8.89 <i>0.350</i>	23.50 <i>0.925</i>	Acetal - Black	Plain - No Insert	12.45 <i>0.490</i>		2.54
# SPLA073-010-079-C	10 <i>0.394</i>	7.938 <i>0.313</i>	15.88 <i>0.625</i>	23.37 <i>0.920</i>	Carbon Steel	Plain - No Insert	22.23 <i>0.875</i>		3.05
# SPLA073-011-048-BZ	11 <i>0.433</i>	4.762 <i>0.187</i>	9.53 <i>0.375</i>	25.91 <i>1.020</i>	Bronze		12.70 <i>0.500</i>		3.05
# SPLA073-012-048-BZ	12 <i>0.472</i>	4.762 <i>0.187</i>	9.53 <i>0.375</i>	27.94 <i>1.100</i>	Bronze	Plain - No Insert	12.70 <i>0.500</i>		3.05
# SPLA073-012-060-AC	12 <i>0.472</i>	6.000 <i>0.236</i>	8.90 <i>0.350</i>	28.00 <i>1.102</i>	Acetal - Black	Plain - No Insert	12.50 <i>0.492</i>		2.54
# SPLA073-012-064-AC	12 <i>0.472</i>	6.350 <i>0.250</i>	8.89 <i>0.350</i>	28.04 <i>1.104</i>	Acetal - Black	Plain - No Insert	12.45 <i>0.490</i>		2.54
# SPLA073-012-079-C	12 <i>0.472</i>	7.938 <i>0.313</i>	15.88 <i>0.625</i>	27.94 <i>1.100</i>	Carbon Steel		22.23 <i>0.875</i>		3.05
# SPLA073-013-040-ACI	13 <i>0.512</i>	4.000 <i>0.157</i>	12.70 <i>0.500</i>	30.30 <i>1.193</i>	Acetal - Black	Brass Insert - Set Screw	16.00 <i>0.630</i>		2.54

Indicates item not stocked at time of printing - Please enquire for lead time

Page 5 of 20

E&OE Pricing and all details subject to change without notice - Copyright Miniature Bearings Australia Pty Ltd
MBA Size Listings are a guide to sizes only and must not be solely relied on for critical design information.

Sprockets - Ladder Chain - 7.264mm Pitch - Size 18

Part Number	Teeth mm	Bore (d) mm	Overall Width (L) mm	Pitch Diameter mm	Material	Type	Hub Diameter mm	Locking Method	Tooth Width (Fw)
	<i>inches</i>	<i>inches</i>	<i>inches</i>	<i>inches</i>			<i>inches</i>		
# SPLA073-013-048-ACI	13	4.762	12.70	30.33	Acetal - Black	Brass Insert - Set Screw	15.88		2.54
	<i>0.512</i>	<i>0.187</i>	<i>0.500</i>	<i>1.194</i>			<i>0.625</i>		
# SPLA073-013-060-AC	13	6.000	10.20	30.30	Acetal - Black	Plain - No Insert	12.70		2.54
	<i>0.512</i>	<i>0.236</i>	<i>0.402</i>	<i>1.193</i>			<i>0.500</i>		
# SPLA073-013-060-ACI	13	6.000	12.70	30.30	Acetal - Black	Brass Insert - Set Screw	16.00		2.54
	<i>0.512</i>	<i>0.236</i>	<i>0.500</i>	<i>1.193</i>			<i>0.630</i>		
# SPLA073-013-064-AC	13	6.350	10.16	30.33	Acetal - Black	Plain - No Insert	12.70		2.54
	<i>0.512</i>	<i>0.250</i>	<i>0.400</i>	<i>1.194</i>			<i>0.500</i>		
# SPLA073-013-064-ACI	13	6.350	12.70	30.33	Acetal - Black	Brass Insert - Set Screw	15.88		2.54
	<i>0.512</i>	<i>0.250</i>	<i>0.500</i>	<i>1.194</i>			<i>0.625</i>		
# SPLA073-013-080-AC	13	8.000	12.70	30.30	Acetal - Black	Plain - No Insert	15.90		2.54
	<i>0.512</i>	<i>0.315</i>	<i>0.500</i>	<i>1.193</i>			<i>0.626</i>		
# SPLA073-013-095-AC	13	9.525	12.70	30.33	Acetal - Black	Plain - No Insert	15.88		2.54
	<i>0.512</i>	<i>0.375</i>	<i>0.500</i>	<i>1.194</i>			<i>0.625</i>		
# SPLA073-014-040-ACI	14	4.000	12.70	32.60	Acetal - Black	Brass Insert - Set Screw	16.00		2.54
	<i>0.551</i>	<i>0.157</i>	<i>0.500</i>	<i>1.283</i>			<i>0.630</i>		
# SPLA073-014-048-ACI	14	4.762	12.70	32.61	Acetal - Black	Brass Insert - Set Screw	15.88		2.54
	<i>0.551</i>	<i>0.187</i>	<i>0.500</i>	<i>1.284</i>			<i>0.625</i>		

Indicates item not stocked at time of printing - Please enquire for lead time

Page 6 of 20

E&OE Pricing and all details subject to change without notice - Copyright Miniature Bearings Australia Pty Ltd
MBA Size Listings are a guide to sizes only and must not be solely relied on for critical design information.

Sprockets - Ladder Chain - 7.264mm Pitch - Size 18

Part Number	Teeth mm	Bore (d) mm	Overall Width (L) mm	Pitch Diameter mm	Material	Type	Hub Diameter mm	Locking Method	Tooth Width (Fw)
	<i>inches</i>	<i>inches</i>	<i>inches</i>	<i>inches</i>			<i>inches</i>		
# SPLA073-014-060-AC	14 <i>0.551</i>	6.000 <i>0.236</i>	10.20 <i>0.402</i>	32.60 <i>1.283</i>	Acetal - Black	Plain - No Insert	12.70 <i>0.500</i>		2.54
# SPLA073-014-060-ACI	14 <i>0.551</i>	6.000 <i>0.236</i>	12.70 <i>0.500</i>	32.60 <i>1.283</i>	Acetal - Black	Brass Insert - Set Screw	16.00 <i>0.630</i>		2.54
# SPLA073-014-064-AC	14 <i>0.551</i>	6.350 <i>0.250</i>	10.16 <i>0.400</i>	32.61 <i>1.284</i>	Acetal - Black	Plain - No Insert	12.70 <i>0.500</i>		2.54
# SPLA073-014-064-BZ	14 <i>0.551</i>	6.350 <i>0.250</i>	11.13 <i>0.438</i>	32.51 <i>1.280</i>	Bronze		15.88 <i>0.625</i>		3.05
# SPLA073-014-064-ACI	14 <i>0.551</i>	6.350 <i>0.250</i>	12.70 <i>0.500</i>	32.61 <i>1.284</i>	Acetal - Black	Brass Insert - Set Screw	15.88 <i>0.625</i>		2.54
# SPLA073-014-079-C	14 <i>0.551</i>	7.938 <i>0.313</i>	15.88 <i>0.625</i>	32.51 <i>1.280</i>	Carbon Steel	Plain - No Insert	22.23 <i>0.875</i>		3.05
# SPLA073-014-080-AC	14 <i>0.551</i>	8.000 <i>0.315</i>	12.70 <i>0.500</i>	32.60 <i>1.283</i>	Acetal - Black	Plain - No Insert	15.90 <i>0.626</i>		2.54
# SPLA073-014-095-AC	14 <i>0.551</i>	9.525 <i>0.375</i>	12.70 <i>0.500</i>	32.61 <i>1.284</i>	Acetal - Black	Plain - No Insert	15.88 <i>0.625</i>		2.54
# SPLA073-015-040-ACI	15 <i>0.591</i>	4.000 <i>0.157</i>	12.70 <i>0.500</i>	34.90 <i>1.374</i>	Acetal - Black	Brass Insert - Set Screw	16.00 <i>0.630</i>		2.54

Indicates item not stocked at time of printing - Please enquire for lead time

Page 7 of 20

E&OE Pricing and all details subject to change without notice - Copyright Miniature Bearings Australia Pty Ltd
MBA Size Listings are a guide to sizes only and must not be solely relied on for critical design information.

Sprockets - Ladder Chain - 7.264mm Pitch - Size 18

Part Number	Teeth mm	Bore (d) mm	Overall Width (L) mm	Pitch Diameter mm	Material	Type	Hub Diameter mm	Locking Method	Tooth Width (Fw)
	<i>inches</i>	<i>inches</i>	<i>inches</i>	<i>inches</i>			<i>inches</i>		
# SPLA073-015-048-ACI	15	4.762	12.70	34.90	Acetal - Black	Brass Insert - Set Screw	15.88		2.54
	<i>0.591</i>	<i>0.187</i>	<i>0.500</i>	<i>1.374</i>			<i>0.625</i>		
# SPLA073-015-060-AC	15	6.000	10.20	34.90	Acetal - Black	Plain - No Insert	12.70		2.54
	<i>0.591</i>	<i>0.236</i>	<i>0.402</i>	<i>1.374</i>			<i>0.500</i>		
# SPLA073-015-060-ACI	15	6.000	12.70	34.90	Acetal - Black	Brass Insert - Set Screw	16.00		2.54
	<i>0.591</i>	<i>0.236</i>	<i>0.500</i>	<i>1.374</i>			<i>0.630</i>		
# SPLA073-015-064-AC	15	6.350	10.16	34.90	Acetal - Black	Plain - No Insert	12.70		2.54
	<i>0.591</i>	<i>0.250</i>	<i>0.400</i>	<i>1.374</i>			<i>0.500</i>		
# SPLA073-015-064-ACI	15	6.350	12.70	34.90	Acetal - Black	Brass Insert - Set Screw	15.88		2.54
	<i>0.591</i>	<i>0.250</i>	<i>0.500</i>	<i>1.374</i>			<i>0.625</i>		
# SPLA073-015-080-AC	15	8.000	12.70	34.90	Acetal - Black	Plain - No Insert	15.90		2.54
	<i>0.591</i>	<i>0.315</i>	<i>0.500</i>	<i>1.374</i>			<i>0.626</i>		
# SPLA073-015-095-AC	15	9.525	12.70	34.90	Acetal - Black	Plain - No Insert	15.88		2.54
	<i>0.591</i>	<i>0.375</i>	<i>0.500</i>	<i>1.374</i>			<i>0.625</i>		
# SPLA073-016-040-ACI	16	4.000	12.70	37.20	Acetal - Black	Brass Insert - Set Screw	16.00		2.54
	<i>0.630</i>	<i>0.157</i>	<i>0.500</i>	<i>1.465</i>			<i>0.630</i>		
# SPLA073-016-048-ACI	16	4.762	12.70	37.21	Acetal - Black	Brass Insert - Set Screw	15.88		2.54
	<i>0.630</i>	<i>0.187</i>	<i>0.500</i>	<i>1.465</i>			<i>0.625</i>		

Indicates item not stocked at time of printing - Please enquire for lead time

Page 8 of 20

E&OE Pricing and all details subject to change without notice - Copyright Miniature Bearings Australia Pty Ltd
MBA Size Listings are a guide to sizes only and must not be solely relied on for critical design information.

Sprockets - Ladder Chain - 7.264mm Pitch - Size 18

Part Number	Teeth mm	Bore (d) mm	Overall Width (L) mm	Pitch Diameter mm	Material	Type	Hub Diameter mm	Locking Method	Tooth Width (Fw)
	<i>inches</i>	<i>inches</i>	<i>inches</i>	<i>inches</i>			<i>inches</i>		
# SPLA073-016-060-AC	16 <i>0.630</i>	6.000 <i>0.236</i>	10.20 <i>0.402</i>	37.20 <i>1.465</i>	Acetal - Black	Plain - No Insert	12.70 <i>0.500</i>		2.54
SPLA073-016-060-ACI	16 <i>0.630</i>	6.000 <i>0.236</i>	12.70 <i>0.500</i>	37.20 <i>1.465</i>	Acetal - Black	Brass Insert - Set Screw	16.00 <i>0.630</i>		2.54
# SPLA073-016-064-AC	16 <i>0.630</i>	6.350 <i>0.250</i>	10.16 <i>0.400</i>	37.21 <i>1.465</i>	Acetal - Black	Plain - No Insert	12.70 <i>0.500</i>		2.54
# SPLA073-016-064-BZ	16 <i>0.630</i>	6.350 <i>0.250</i>	11.13 <i>0.438</i>	37.34 <i>1.470</i>	Bronze		15.88 <i>0.625</i>		3.05
# SPLA073-016-064-ACI	16 <i>0.630</i>	6.350 <i>0.250</i>	12.70 <i>0.500</i>	37.21 <i>1.465</i>	Acetal - Black	Brass Insert - Set Screw	15.88 <i>0.625</i>		2.54
# SPLA073-016-079-C	16 <i>0.630</i>	7.938 <i>0.313</i>	15.88 <i>0.625</i>	37.34 <i>1.470</i>	Carbon Steel		22.23 <i>0.875</i>		3.05
# SPLA073-016-080-AC	16 <i>0.630</i>	8.000 <i>0.315</i>	12.70 <i>0.500</i>	37.20 <i>1.465</i>	Acetal - Black	Plain - No Insert	15.90 <i>0.626</i>		2.54
# SPLA073-016-095-AC	16 <i>0.630</i>	9.525 <i>0.375</i>	12.70 <i>0.500</i>	37.21 <i>1.465</i>	Acetal - Black	Plain - No Insert	15.88 <i>0.625</i>		2.54
# SPLA073-018-040-ACI	18 <i>0.709</i>	4.000 <i>0.157</i>	12.70 <i>0.500</i>	41.80 <i>1.646</i>	Acetal - Black	Brass Insert - Set Screw	16.00 <i>0.630</i>		2.54

Indicates item not stocked at time of printing - Please enquire for lead time

Page 9 of 20

E&OE Pricing and all details subject to change without notice - Copyright Miniature Bearings Australia Pty Ltd
MBA Size Listings are a guide to sizes only and must not be solely relied on for critical design information.

Sprockets - Ladder Chain - 7.264mm Pitch - Size 18

Part Number	Teeth mm	Bore (d) mm	Overall Width (L) mm	Pitch Diameter mm	Material	Type	Hub Diameter mm	Locking Method	Tooth Width (Fw)
	<i>inches</i>	<i>inches</i>	<i>inches</i>	<i>inches</i>			<i>inches</i>		
# SPLA073-018-048-ACI	18 <i>0.709</i>	4.762 <i>0.187</i>	12.70 <i>0.500</i>	41.78 <i>1.645</i>	Acetal - Black	Brass Insert - Set Screw	15.88 <i>0.625</i>		2.54
# SPLA073-018-060-AC	18 <i>0.709</i>	6.000 <i>0.236</i>	10.20 <i>0.402</i>	41.80 <i>1.646</i>	Acetal - Black	Plain - No Insert	12.70 <i>0.500</i>		2.54
# SPLA073-018-060-ACI	18 <i>0.709</i>	6.000 <i>0.236</i>	12.70 <i>0.500</i>	41.80 <i>1.646</i>	Acetal - Black	Brass Insert - Set Screw	16.00 <i>0.630</i>		2.54
# SPLA073-018-064-AC	18 <i>0.709</i>	6.350 <i>0.250</i>	10.16 <i>0.400</i>	41.78 <i>1.645</i>	Acetal - Black	Plain - No Insert	12.70 <i>0.500</i>		2.54
# SPLA073-018-064-BZ	18 <i>0.709</i>	6.350 <i>0.250</i>	11.13 <i>0.438</i>	41.66 <i>1.640</i>	Bronze		15.88 <i>0.625</i>		3.05
# SPLA073-018-064-ACI	18 <i>0.709</i>	6.350 <i>0.250</i>	12.70 <i>0.500</i>	41.78 <i>1.645</i>	Acetal - Black	Brass Insert - Set Screw	15.88 <i>0.625</i>		2.54
# SPLA073-018-080-AC	18 <i>0.709</i>	8.000 <i>0.315</i>	12.70 <i>0.500</i>	41.80 <i>1.646</i>	Acetal - Black	Plain - No Insert	15.90 <i>0.626</i>		2.54
# SPLA073-018-095-AC	18 <i>0.709</i>	9.525 <i>0.375</i>	12.70 <i>0.500</i>	41.78 <i>1.645</i>	Acetal - Black	Plain - No Insert	15.88 <i>0.625</i>		2.54
# SPLA073-020-040-ACI	20 <i>0.787</i>	4.000 <i>0.157</i>	12.70 <i>0.500</i>	46.40 <i>1.827</i>	Acetal - Black	Brass Insert - Set Screw	16.00 <i>0.630</i>		2.54

Indicates item not stocked at time of printing - Please enquire for lead time

Page 10 of 20

E&OE Pricing and all details subject to change without notice - Copyright Miniature Bearings Australia Pty Ltd
MBA Size Listings are a guide to sizes only and must not be solely relied on for critical design information.

Sprockets - Ladder Chain - 7.264mm Pitch - Size 18

Part Number	Teeth mm	Bore (d) mm	Overall Width (L) mm	Pitch Diameter mm	Material	Type	Hub Diameter mm	Locking Method	Tooth Width (Fw)
	<i>inches</i>	<i>inches</i>	<i>inches</i>	<i>inches</i>			<i>inches</i>		
# SPLA073-020-048-ACI	20 <i>0.787</i>	4.762 <i>0.187</i>	12.70 <i>0.500</i>	46.38 <i>1.826</i>	Acetal - Black	Brass Insert - Set Screw	15.88 <i>0.625</i>		2.54
# SPLA073-020-060-AC	20 <i>0.787</i>	6.000 <i>0.236</i>	10.20 <i>0.402</i>	46.40 <i>1.827</i>	Acetal - Black	Plain - No Insert	12.70 <i>0.500</i>		2.54
# SPLA073-020-060-ACI	20 <i>0.787</i>	6.000 <i>0.236</i>	12.70 <i>0.500</i>	46.40 <i>1.827</i>	Acetal - Black	Brass Insert - Set Screw	16.00 <i>0.630</i>		2.54
# SPLA073-020-064-AC	20 <i>0.787</i>	6.350 <i>0.250</i>	10.16 <i>0.400</i>	46.38 <i>1.826</i>	Acetal - Black	Plain - No Insert	12.70 <i>0.500</i>		2.54
# SPLA073-020-064-BZ	20 <i>0.787</i>	6.350 <i>0.250</i>	11.13 <i>0.438</i>	46.23 <i>1.820</i>	Bronze		15.88 <i>0.625</i>		3.05
# SPLA073-020-064-ACI	20 <i>0.787</i>	6.350 <i>0.250</i>	12.70 <i>0.500</i>	46.38 <i>1.826</i>	Acetal - Black	Brass Insert - Set Screw	15.88 <i>0.625</i>		2.54
# SPLA073-020-080-AC	20 <i>0.787</i>	8.000 <i>0.315</i>	12.70 <i>0.500</i>	46.40 <i>1.827</i>	Acetal - Black	Plain - No Insert	15.90 <i>0.626</i>		2.54
# SPLA073-020-095-AC	20 <i>0.787</i>	9.525 <i>0.375</i>	12.70 <i>0.500</i>	46.38 <i>1.826</i>	Acetal - Black	Plain - No Insert	15.88 <i>0.625</i>		2.54
# SPLA073-021-079-BZ	21 <i>0.827</i>	7.938 <i>0.313</i>	12.70 <i>0.500</i>	48.77 <i>1.920</i>	Bronze		19.05 <i>0.750</i>		3.05

Indicates item not stocked at time of printing - Please enquire for lead time

Page 11 of 20

E&OE Pricing and all details subject to change without notice - Copyright Miniature Bearings Australia Pty Ltd
MBA Size Listings are a guide to sizes only and must not be solely relied on for critical design information.

Sprockets - Ladder Chain - 7.264mm Pitch - Size 18

Part Number	Teeth mm	Bore (d) mm	Overall Width (L) mm	Pitch Diameter mm	Material	Type	Hub Diameter mm	Locking Method	Tooth Width (Fw)
	<i>inches</i>	<i>inches</i>	<i>inches</i>	<i>inches</i>			<i>inches</i>		
# SPLA073-022-040-ACI	22 <i>0.866</i>	4.000 <i>0.157</i>	12.70 <i>0.500</i>	51.00 <i>2.008</i>	Acetal - Black	Brass Insert - Set Screw	16.00 <i>0.630</i>		2.54
# SPLA073-022-048-ACI	22 <i>0.866</i>	4.762 <i>0.187</i>	12.70 <i>0.500</i>	50.98 <i>2.007</i>	Acetal - Black	Brass Insert - Set Screw	15.88 <i>0.625</i>		2.54
# SPLA073-022-060-AC	22 <i>0.866</i>	6.000 <i>0.236</i>	10.20 <i>0.402</i>	51.00 <i>2.008</i>	Acetal - Black	Plain - No Insert	12.70 <i>0.500</i>		2.54
SPLA073-022-060-ACI	22 <i>0.866</i>	6.000 <i>0.236</i>	12.70 <i>0.500</i>	51.00 <i>2.008</i>	Acetal - Black	Brass Insert - Set Screw	16.00 <i>0.630</i>		2.54
# SPLA073-022-064-AC	22 <i>0.866</i>	6.350 <i>0.250</i>	10.16 <i>0.400</i>	50.98 <i>2.007</i>	Acetal - Black	Plain - No Insert	12.70 <i>0.500</i>		2.54
# SPLA073-022-064-ACI	22 <i>0.866</i>	6.350 <i>0.250</i>	12.70 <i>0.500</i>	50.98 <i>2.007</i>	Acetal - Black	Brass Insert - Set Screw	15.88 <i>0.625</i>		2.54
# SPLA073-022-080-AC	22 <i>0.866</i>	8.000 <i>0.315</i>	12.70 <i>0.500</i>	51.00 <i>2.008</i>	Acetal - Black	Plain - No Insert	15.90 <i>0.626</i>		2.54
# SPLA073-022-095-AC	22 <i>0.866</i>	9.525 <i>0.375</i>	12.70 <i>0.500</i>	50.98 <i>2.007</i>	Acetal - Black	Plain - No Insert	15.88 <i>0.625</i>		2.54
# SPLA073-024-040-ACI	24 <i>0.945</i>	4.000 <i>0.157</i>	12.70 <i>0.500</i>	55.60 <i>2.189</i>	Acetal - Black	Brass Insert - Set Screw	16.00 <i>0.630</i>		2.54

Indicates item not stocked at time of printing - Please enquire for lead time

Page 12 of 20

E&OE Pricing and all details subject to change without notice - Copyright Miniature Bearings Australia Pty Ltd
MBA Size Listings are a guide to sizes only and must not be solely relied on for critical design information.

Sprockets - Ladder Chain - 7.264mm Pitch - Size 18

Part Number	Teeth mm	Bore (d) mm	Overall Width (L) mm	Pitch Diameter mm	Material	Type	Hub Diameter mm	Locking Method	Tooth Width (Fw)
	<i>inches</i>	<i>inches</i>	<i>inches</i>	<i>inches</i>			<i>inches</i>		
# SPLA073-024-048-ACI	24 <i>0.945</i>	4.762 <i>0.187</i>	12.70 <i>0.500</i>	55.60 <i>2.189</i>	Acetal - Black	Brass Insert - Set Screw	15.88 <i>0.625</i>		2.54
# SPLA073-024-060-AC	24 <i>0.945</i>	6.000 <i>0.236</i>	10.20 <i>0.402</i>	51.00 <i>2.008</i>	Acetal - Black	Plain - No Insert	12.70 <i>0.500</i>		2.54
# SPLA073-024-060-ACI	24 <i>0.945</i>	6.000 <i>0.236</i>	12.70 <i>0.500</i>	55.60 <i>2.189</i>	Acetal - Black	Brass Insert - Set Screw	16.00 <i>0.630</i>		2.54
# SPLA073-024-064-AC	24 <i>0.945</i>	6.350 <i>0.250</i>	10.16 <i>0.400</i>	55.60 <i>2.189</i>	Acetal - Black	Plain - No Insert	12.70 <i>0.500</i>		2.54
# SPLA073-024-064-ACI	24 <i>0.945</i>	6.350 <i>0.250</i>	12.70 <i>0.500</i>	55.60 <i>2.189</i>	Acetal - Black	Brass Insert - Set Screw	15.88 <i>0.625</i>		2.54
# SPLA073-024-079-ACI	24 <i>0.945</i>	7.938 <i>0.313</i>	12.70 <i>0.500</i>	55.60 <i>2.189</i>	Acetal - Black	Brass Insert - Set Screw	19.05 <i>0.750</i>		2.54
# SPLA073-024-079-BZ	24 <i>0.945</i>	7.938 <i>0.313</i>	12.70 <i>0.500</i>	55.37 <i>2.180</i>	Bronze		19.05 <i>0.750</i>		3.05
# SPLA073-024-080-AC	24 <i>0.945</i>	8.000 <i>0.315</i>	12.70 <i>0.500</i>	55.60 <i>2.189</i>	Acetal - Black	Plain - No Insert	15.90 <i>0.626</i>		2.54
# SPLA073-024-080-ACI	24 <i>0.945</i>	8.000 <i>0.315</i>	12.70 <i>0.500</i>	55.60 <i>2.189</i>	Acetal - Black	Brass Insert - Set Screw	19.00 <i>0.748</i>		2.54

Indicates item not stocked at time of printing - Please enquire for lead time

Page 13 of 20

E&OE Pricing and all details subject to change without notice - Copyright Miniature Bearings Australia Pty Ltd
MBA Size Listings are a guide to sizes only and must not be solely relied on for critical design information.

Sprockets - Ladder Chain - 7.264mm Pitch - Size 18

Part Number	Teeth mm	Bore (d) mm	Overall Width (L) mm	Pitch Diameter mm	Material	Type	Hub Diameter mm	Locking Method	Tooth Width (Fw)
	<i>inches</i>	<i>inches</i>	<i>inches</i>	<i>inches</i>			<i>inches</i>		
# SPLA073-024-095-AC	24 <i>0.945</i>	9.525 <i>0.375</i>	12.70 <i>0.500</i>	55.60 <i>2.189</i>	Acetal - Black	Plain - No Insert	15.88 <i>0.625</i>		2.54
# SPLA073-024-100-AC	24 <i>0.945</i>	10.000 <i>0.394</i>	12.70 <i>0.500</i>	55.60 <i>2.189</i>	Acetal - Black	Plain - No Insert	19.00 <i>0.748</i>		2.54
# SPLA073-024-127-AC	24 <i>0.945</i>	12.700 <i>0.500</i>	12.70 <i>0.500</i>	55.60 <i>2.189</i>	Acetal - Black	Plain - No Insert	19.05 <i>0.750</i>		2.54
# SPLA073-025-040-ACI	25 <i>0.984</i>	4.000 <i>0.157</i>	12.70 <i>0.500</i>	57.90 <i>2.280</i>	Acetal - Black	Brass Insert - Set Screw	16.00 <i>0.630</i>		2.54
# SPLA073-025-048-ACI	25 <i>0.984</i>	4.762 <i>0.187</i>	12.70 <i>0.500</i>	57.91 <i>2.280</i>	Acetal - Black	Brass Insert - Set Screw	15.88 <i>0.625</i>		2.54
# SPLA073-025-060-AC	25 <i>0.984</i>	6.000 <i>0.236</i>	10.20 <i>0.402</i>	55.60 <i>2.189</i>	Acetal - Black	Plain - No Insert	12.70 <i>0.500</i>		2.54
# SPLA073-025-060-ACI	25 <i>0.984</i>	6.000 <i>0.236</i>	12.70 <i>0.500</i>	57.90 <i>2.280</i>	Acetal - Black	Brass Insert - Set Screw	16.00 <i>0.630</i>		2.54
# SPLA073-025-064-AC	25 <i>0.984</i>	6.350 <i>0.250</i>	10.16 <i>0.400</i>	57.91 <i>2.280</i>	Acetal - Black	Plain - No Insert	12.70 <i>0.500</i>		2.54
# SPLA073-025-064-ACI	25 <i>0.984</i>	6.350 <i>0.250</i>	12.70 <i>0.500</i>	57.91 <i>2.280</i>	Acetal - Black	Brass Insert - Set Screw	15.88 <i>0.625</i>		2.54

Indicates item not stocked at time of printing - Please enquire for lead time

Page 14 of 20

E&OE Pricing and all details subject to change without notice - Copyright Miniature Bearings Australia Pty Ltd
MBA Size Listings are a guide to sizes only and must not be solely relied on for critical design information.

Sprockets - Ladder Chain - 7.264mm Pitch - Size 18

Part Number	Teeth mm	Bore (d) mm	Overall Width (L) mm	Pitch Diameter mm	Material	Type	Hub Diameter mm	Locking Method	Tooth Width (Fw)
	<i>inches</i>	<i>inches</i>	<i>inches</i>	<i>inches</i>			<i>inches</i>		
# SPLA073-025-079-ACI	25 <i>0.984</i>	7.938 <i>0.313</i>	12.70 <i>0.500</i>	57.91 <i>2.280</i>	Acetal - Black	Brass Insert - Set Screw	19.05 <i>0.750</i>		2.54
# SPLA073-025-080-AC	25 <i>0.984</i>	8.000 <i>0.315</i>	12.70 <i>0.500</i>	57.90 <i>2.280</i>	Acetal - Black	Plain - No Insert	15.90 <i>0.626</i>		2.54
# SPLA073-025-080-ACI	25 <i>0.984</i>	8.000 <i>0.315</i>	12.70 <i>0.500</i>	57.90 <i>2.280</i>	Acetal - Black	Brass Insert - Set Screw	19.00 <i>0.748</i>		2.54
# SPLA073-025-095-AC	25 <i>0.984</i>	9.525 <i>0.375</i>	12.70 <i>0.500</i>	57.91 <i>2.280</i>	Acetal - Black	Plain - No Insert	15.88 <i>0.625</i>		2.54
# SPLA073-025-100-AC	25 <i>0.984</i>	10.000 <i>0.394</i>	12.70 <i>0.500</i>	57.90 <i>2.280</i>	Acetal - Black	Plain - No Insert	19.00 <i>0.748</i>		2.54
# SPLA073-025-127-AC	25 <i>0.984</i>	12.700 <i>0.500</i>	12.70 <i>0.500</i>	57.91 <i>2.280</i>	Acetal - Black	Plain - No Insert	19.05 <i>0.750</i>		2.54
# SPLA073-027-079-BZ	27 <i>1.063</i>	7.938 <i>0.313</i>	12.70 <i>0.500</i>	62.74 <i>2.470</i>	Bronze		19.05 <i>0.750</i>		3.05
# SPLA073-030-040-ACI	30 <i>1.181</i>	4.000 <i>0.157</i>	12.70 <i>0.500</i>	69.40 <i>2.732</i>	Acetal - Black	Brass Insert - Set Screw	16.00 <i>0.630</i>		2.54
# SPLA073-030-048-ACI	30 <i>1.181</i>	4.762 <i>0.187</i>	12.70 <i>0.500</i>	69.42 <i>2.733</i>	Acetal - Black	Brass Insert - Set Screw	15.88 <i>0.625</i>		2.54

Indicates item not stocked at time of printing - Please enquire for lead time

Page 15 of 20

E&OE Pricing and all details subject to change without notice - Copyright Miniature Bearings Australia Pty Ltd
MBA Size Listings are a guide to sizes only and must not be solely relied on for critical design information.

Sprockets - Ladder Chain - 7.264mm Pitch - Size 18

Part Number	Teeth mm	Bore (d) mm	Overall Width (L) mm	Pitch Diameter mm	Material	Type	Hub Diameter mm	Locking Method	Tooth Width (Fw)
	<i>inches</i>	<i>inches</i>	<i>inches</i>	<i>inches</i>			<i>inches</i>		
# SPLA073-030-060-AC	30 <i>1.181</i>	6.000 <i>0.236</i>	10.20 <i>0.402</i>	57.90 <i>2.280</i>	Acetal - Black	Plain - No Insert	12.70 <i>0.500</i>		2.54
# SPLA073-030-060-ACI	30 <i>1.181</i>	6.000 <i>0.236</i>	12.70 <i>0.500</i>	69.40 <i>2.732</i>	Acetal - Black	Brass Insert - Set Screw	16.00 <i>0.630</i>		2.54
# SPLA073-030-064-AC	30 <i>1.181</i>	6.350 <i>0.250</i>	10.16 <i>0.400</i>	69.42 <i>2.733</i>	Acetal - Black	Plain - No Insert	12.70 <i>0.500</i>		2.54
# SPLA073-030-064-ACI	30 <i>1.181</i>	6.350 <i>0.250</i>	12.70 <i>0.500</i>	69.42 <i>2.733</i>	Acetal - Black	Brass Insert - Set Screw	15.88 <i>0.625</i>		2.54
# SPLA073-030-079-ACI	30 <i>1.181</i>	7.938 <i>0.313</i>	12.70 <i>0.500</i>	69.42 <i>2.733</i>	Acetal - Black	Brass Insert - Set Screw	19.05 <i>0.750</i>		2.54
# SPLA073-030-080-AC	30 <i>1.181</i>	8.000 <i>0.315</i>	12.70 <i>0.500</i>	69.40 <i>2.732</i>	Acetal - Black	Plain - No Insert	15.90 <i>0.626</i>		2.54
# SPLA073-030-080-ACI	30 <i>1.181</i>	8.000 <i>0.315</i>	12.70 <i>0.500</i>	69.40 <i>2.732</i>	Acetal - Black	Brass Insert - Set Screw	19.00 <i>0.748</i>		2.54
# SPLA073-030-095-AC	30 <i>1.181</i>	9.525 <i>0.375</i>	12.70 <i>0.500</i>	69.42 <i>2.733</i>	Acetal - Black	Plain - No Insert	15.88 <i>0.625</i>		2.54
# SPLA073-030-100-AC	30 <i>1.181</i>	10.000 <i>0.394</i>	12.70 <i>0.500</i>	69.40 <i>2.732</i>	Acetal - Black	Plain - No Insert	19.00 <i>0.748</i>		2.54

Indicates item not stocked at time of printing - Please enquire for lead time

Page 16 of 20

E&OE Pricing and all details subject to change without notice - Copyright Miniature Bearings Australia Pty Ltd
MBA Size Listings are a guide to sizes only and must not be solely relied on for critical design information.

Sprockets - Ladder Chain - 7.264mm Pitch - Size 18

Part Number	Teeth mm	Bore (d) mm	Overall Width (L) mm	Pitch Diameter mm	Material	Type	Hub Diameter mm	Locking Method	Tooth Width (Fw)
	<i>inches</i>	<i>inches</i>	<i>inches</i>	<i>inches</i>			<i>inches</i>		
SPLA073-030-127-AC	30 <i>1.181</i>	12.700 <i>0.500</i>	12.70 <i>0.500</i>	69.42 <i>2.733</i>	Acetal - Black	Plain - No Insert	19.05 <i>0.750</i>		2.54
SPLA073-032-060-ACI	32 <i>1.260</i>	6.000 <i>0.236</i>	12.70 <i>0.500</i>	74.00 <i>2.913</i>	Acetal - Black	Brass Insert - Set Screw	16.00 <i>0.630</i>		2.54
# SPLA073-032-064-ACI	32 <i>1.260</i>	6.350 <i>0.250</i>	12.70 <i>0.500</i>	74.04 <i>2.915</i>	Acetal - Black	Brass Insert - Set Screw	15.88 <i>0.625</i>		2.54
# SPLA073-032-079-BZ	32 <i>1.260</i>	7.938 <i>0.313</i>	12.70 <i>0.500</i>	74.17 <i>2.920</i>	Bronze		19.05 <i>0.750</i>		3.05
# SPLA073-032-079-ACI	32 <i>1.260</i>	7.938 <i>0.313</i>	12.70 <i>0.500</i>	74.04 <i>2.915</i>	Acetal - Black	Brass Insert - Set Screw	19.05 <i>0.750</i>		2.54
# SPLA073-032-080-AC	32 <i>1.260</i>	8.000 <i>0.315</i>	12.70 <i>0.500</i>	74.00 <i>2.913</i>	Acetal - Black	Plain - No Insert	15.90 <i>0.626</i>		2.54
# SPLA073-032-080-ACI	32 <i>1.260</i>	8.000 <i>0.315</i>	12.70 <i>0.500</i>	74.00 <i>2.913</i>	Acetal - Black	Brass Insert - Set Screw	19.00 <i>0.748</i>		2.54
# SPLA073-032-095-AC	32 <i>1.260</i>	9.525 <i>0.375</i>	12.70 <i>0.500</i>	74.04 <i>2.915</i>	Acetal - Black	Plain - No Insert	15.88 <i>0.625</i>		2.54
# SPLA073-032-100-AC	32 <i>1.260</i>	10.000 <i>0.394</i>	12.70 <i>0.500</i>	74.00 <i>2.913</i>	Acetal - Black	Plain - No Insert	19.00 <i>0.748</i>		2.54

Indicates item not stocked at time of printing - Please enquire for lead time

Page 17 of 20

E&OE Pricing and all details subject to change without notice - Copyright Miniature Bearings Australia Pty Ltd
MBA Size Listings are a guide to sizes only and must not be solely relied on for critical design information.

Sprockets - Ladder Chain - 7.264mm Pitch - Size 18

Part Number	Teeth mm	Bore (d) mm	Overall Width (L) mm	Pitch Diameter mm	Material	Type	Hub Diameter mm	Locking Method	Tooth Width (Fw)
	<i>inches</i>	<i>inches</i>	<i>inches</i>	<i>inches</i>			<i>inches</i>		
# SPLA073-032-127-AC	32 <i>1.260</i>	12.700 <i>0.500</i>	12.70 <i>0.500</i>	74.04 <i>2.915</i>	Acetal - Black	Plain - No Insert	19.05 <i>0.750</i>		2.54
# SPLA073-036-060-ACI	36 <i>1.417</i>	6.000 <i>0.236</i>	12.70 <i>0.500</i>	83.30 <i>3.280</i>	Acetal - Black	Brass Insert - Set Screw	16.00 <i>0.630</i>		2.54
# SPLA073-036-064-ACI	36 <i>1.417</i>	6.350 <i>0.250</i>	12.70 <i>0.500</i>	83.26 <i>3.278</i>	Acetal - Black	Brass Insert - Set Screw	15.88 <i>0.625</i>		2.54
# SPLA073-036-079-ACI	36 <i>1.417</i>	7.938 <i>0.313</i>	12.70 <i>0.500</i>	83.26 <i>3.278</i>	Acetal - Black	Brass Insert - Set Screw	19.05 <i>0.750</i>		2.54
# SPLA073-036-080-AC	36 <i>1.417</i>	8.000 <i>0.315</i>	12.70 <i>0.500</i>	83.30 <i>3.280</i>	Acetal - Black	Plain - No Insert	15.90 <i>0.626</i>		2.54
# SPLA073-036-080-ACI	36 <i>1.417</i>	8.000 <i>0.315</i>	12.70 <i>0.500</i>	92.50 <i>3.642</i>	Acetal - Black	Brass Insert - Set Screw	19.00 <i>0.748</i>		2.54
# SPLA073-036-095-AC	36 <i>1.417</i>	9.525 <i>0.375</i>	12.70 <i>0.500</i>	83.26 <i>3.278</i>	Acetal - Black	Plain - No Insert	15.88 <i>0.625</i>		2.54
# SPLA073-036-100-AC	36 <i>1.417</i>	10.000 <i>0.394</i>	12.70 <i>0.500</i>	83.30 <i>3.280</i>	Acetal - Black	Plain - No Insert	19.00 <i>0.748</i>		2.54
# SPLA073-036-127-AC	36 <i>1.417</i>	12.700 <i>0.500</i>	12.70 <i>0.500</i>	83.26 <i>3.278</i>	Acetal - Black	Plain - No Insert	19.05 <i>0.750</i>		2.54

Indicates item not stocked at time of printing - Please enquire for lead time

Page 18 of 20

E&OE Pricing and all details subject to change without notice - Copyright Miniature Bearings Australia Pty Ltd
MBA Size Listings are a guide to sizes only and must not be solely relied on for critical design information.

Sprockets - Ladder Chain - 7.264mm Pitch - Size 18

Part Number	Teeth mm	Bore (d) mm	Overall Width (L) mm	Pitch Diameter mm	Material	Type	Hub Diameter mm	Locking Method	Tooth Width (Fw)
	<i>inches</i>	<i>inches</i>	<i>inches</i>	<i>inches</i>			<i>inches</i>		
# SPLA073-040-079-ACI	40	7.938	12.70	92.48	Acetal - Black	Brass Insert - Set Screw	19.05		2.54
	<i>1.575</i>	<i>0.313</i>	<i>0.500</i>	<i>3.641</i>			<i>0.750</i>		
# SPLA073-040-080-ACI	40	8.000	12.70	111.00	Acetal - Black	Brass Insert - Set Screw	19.00		2.54
	<i>1.575</i>	<i>0.315</i>	<i>0.500</i>	<i>4.370</i>			<i>0.748</i>		
# SPLA073-040-100-AC	40	10.000	12.70	92.50	Acetal - Black	Plain - No Insert	19.00		2.54
	<i>1.575</i>	<i>0.394</i>	<i>0.500</i>	<i>3.642</i>			<i>0.748</i>		
# SPLA073-040-127-AC	40	12.700	12.70	92.48	Acetal - Black	Plain - No Insert	19.05		2.54
	<i>1.575</i>	<i>0.500</i>	<i>0.500</i>	<i>3.641</i>			<i>0.750</i>		
# SPLA073-044-095-BZ	44	9.525	12.70	101.60	Bronze		19.05		3.05
	<i>1.732</i>	<i>0.375</i>	<i>0.500</i>	<i>4.000</i>			<i>0.750</i>		
# SPLA073-048-079-ACI	48	7.938	12.70	110.97	Acetal - Black	Brass Insert - Set Screw	19.05		2.54
	<i>1.890</i>	<i>0.313</i>	<i>0.500</i>	<i>4.369</i>			<i>0.750</i>		
# SPLA073-048-080-ACI	48	8.000	12.70	124.80	Acetal - Black	Brass Insert - Set Screw	19.00		2.54
	<i>1.890</i>	<i>0.315</i>	<i>0.500</i>	<i>4.913</i>			<i>0.748</i>		
# SPLA073-048-095-BZ	48	9.525	12.70	110.74	Bronze		19.05		3.05
	<i>1.890</i>	<i>0.375</i>	<i>0.500</i>	<i>4.360</i>			<i>0.750</i>		
# SPLA073-048-100-AC	48	10.000	12.70	111.00	Acetal - Black	Plain - No Insert	19.00		2.54
	<i>1.890</i>	<i>0.394</i>	<i>0.500</i>	<i>4.370</i>			<i>0.748</i>		

Indicates item not stocked at time of printing - Please enquire for lead time

Page 19 of 20

E&OE Pricing and all details subject to change without notice - Copyright Miniature Bearings Australia Pty Ltd
MBA Size Listings are a guide to sizes only and must not be solely relied on for critical design information.

Sprockets - Ladder Chain - 7.264mm Pitch - Size 18

Part Number	Teeth mm	Bore (d) mm	Overall Width (L) mm	Pitch Diameter mm	Material	Type	Hub Diameter mm	Locking Method	Tooth Width (Fw)
	<i>inches</i>	<i>inches</i>	<i>inches</i>	<i>inches</i>			<i>inches</i>		
# SPLA073-048-127-AC	48 <i>1.890</i>	12.700 <i>0.500</i>	12.70 <i>0.500</i>	110.97 <i>4.369</i>	Acetal - Black	Plain - No Insert	19.05 <i>0.750</i>		2.54
# SPLA073-054-079-ACI	54 <i>2.126</i>	7.938 <i>0.313</i>	12.70 <i>0.500</i>	124.82 <i>4.914</i>	Acetal - Black	Brass Insert - Set Screw	19.05 <i>0.750</i>		2.54
# SPLA073-054-100-AC	54 <i>2.126</i>	10.000 <i>0.394</i>	12.70 <i>0.500</i>	124.80 <i>4.913</i>	Acetal - Black	Plain - No Insert	19.00 <i>0.748</i>		2.54
# SPLA073-054-127-AC	54 <i>2.126</i>	12.700 <i>0.500</i>	12.70 <i>0.500</i>	124.82 <i>4.914</i>	Acetal - Black	Plain - No Insert	19.05 <i>0.750</i>		2.54

Indicates item not stocked at time of printing - Please enquire for lead time

E&OE Pricing and all details subject to change without notice - Copyright Miniature Bearings Australia Pty Ltd

MBA Size Listings are a guide to sizes only and must not be solely relied on for critical design information.

DISTRIBUTED BY

Distributed By:

