



Strikes - Toggle Latch - Stainless Steel

10/4/2018

Indicates item not stocked at time of printing - Please enquire for lead time

E&OE Pricing and all details subject to change without notice - Copyright Miniature Bearings Australia Pty Ltd

MBA Size Listings are a guide to sizes only and must not be solely relied on for critical design information.

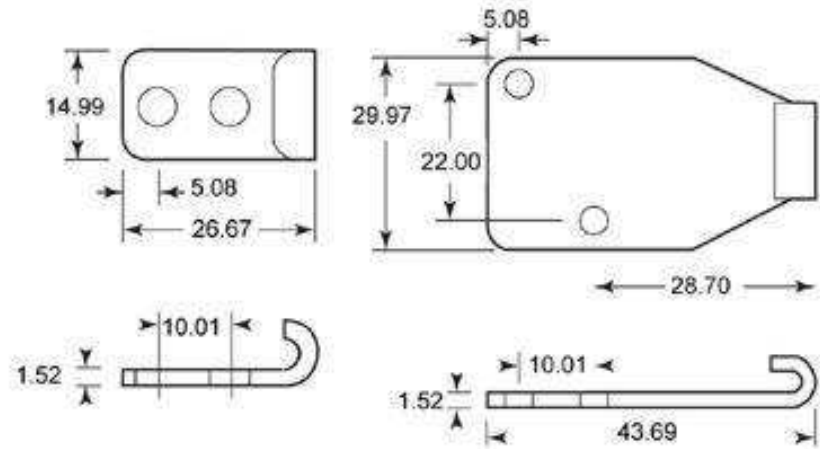
INFORMATION

Used with toggle latches series 800, 802, 803 and 806

Indicates item not stocked at time of printing - Please enquire for lead time

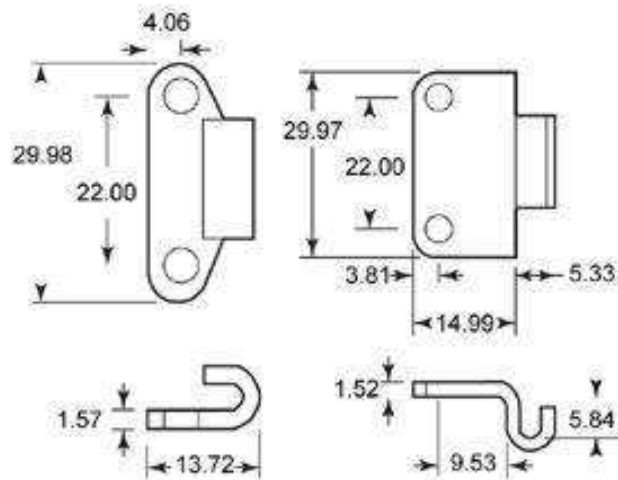
E&OE Pricing and all details subject to change without notice - Copyright Miniature Bearings Australia Pty Ltd

MBA Size Listings are a guide to sizes only and must not be solely relied on for critical design information.



STYLE A

STYLE B



STYLE C

STYLE D

Indicates item not stocked at time of printing - Please enquire for lead time

E&OE Pricing and all details subject to change without notice - Copyright Miniature Bearings Australia Pty Ltd

MBA Size Listings are a guide to sizes only and must not be solely relied on for critical design information.

Strikes - Toggle Latch - Stainless Steel

Part Number	Style	Length	-
# DTL-800-7SSRS	C	13.716	-
# DTL-800-9SSRS	D	20.320	-
# DTL-802-2SSRS	A	26.670	-
# DTL-800-5SSRS	B	43.688	-

Indicates item not stocked at time of printing - Please enquire for lead time

E&OE Pricing and all details subject to change without notice - Copyright Miniature Bearings Australia Pty Ltd

MBA Size Listings are a guide to sizes only and must not be solely relied on for critical design information.

DISTRIBUTED BY

Distributed By:

